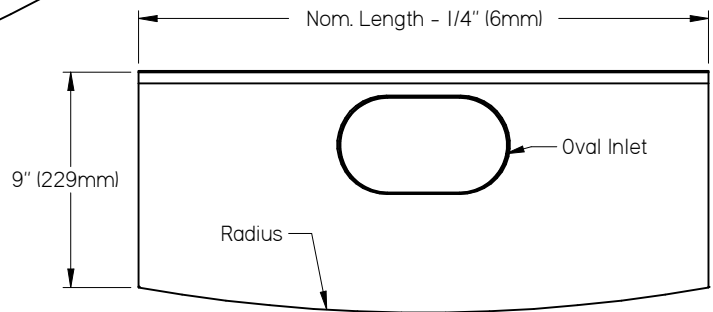
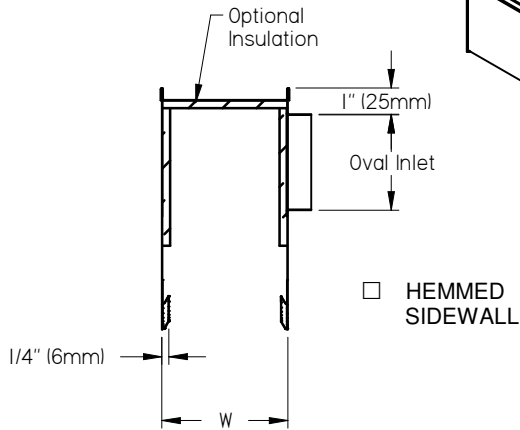
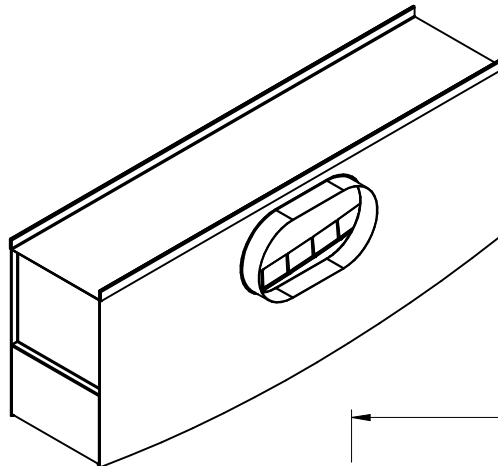


**UPLC - CONVEX CURVED LOW PROFILE  
UNIVERSAL PLENUM**



**WIDTH:**

Specify PRICE diffuser model:

- Custom Flow - AS / JS convex  
Slot Size \_\_\_\_\_ Slots \_\_\_\_\_ Border Style \_\_\_\_\_

**OVAL INLET SIZE:**

- 5" (127mm) equivalent = 3" x 6" (76mm x 152mm)
- 6" (152mm) equivalent = 4" x 7" (102mm x 178mm)
- 7" (178mm) equivalent = 4" x 8 9/16" (102mm x 217mm)
- 8" (203mm) equivalent = 4" x 10 1/8" (102mm x 257mm)
- 9" (229mm) equivalent = 4" x 11 11/16" (102mm x 297mm)
- 10" (254mm) equivalent = 4" x 13 1/4" (102mm x 337mm)
- 12" (305mm) equivalent = 4" x 16 3/8" (102mm x 416mm)
- FC - Field Cut, no inlet supplied

**RADIUS:**

Nom. Length	Minimum Radius	
	1 Slot	2 Slot
24" (610mm)	60" (1524mm)	67" (1702mm)
36" (914mm)	135" (3429mm)	
48" (1219mm)	240" (6096mm)	
60" (1524mm)	375" (9525mm)	
72" (1829mm)	535" (13 589mm)	

**NOMINAL LENGTH:**

- 24" (610mm)
- 36" (914mm)
- 48" (1219mm)
- 60" (1524mm)
- 72" (1829mm)

**HEMMED SIDEWALL:**

- HEM - for surface mount applications  
(concealed mounting - Custom Flow types 21C, 21SM, 22A, 22ASM, 22SM)

**INSULATION (OPTIONAL):**

- CF - internal Coated Fiberglass
- FF - internal Fiber Free Foam

**MATERIAL:**

- Coated steel

**NOTES:**

- End caps are not insulated with CF and FF options

ALL METRIC DIMENSIONS ( ) ARE SOFT CONVERTED. IMPERIAL DIMENSIONS ARE CONVERTED TO METRIC AND ROUNDED TO THE NEAREST MILLIMETER.

<b>PROJECT:</b>		<b>PRICE</b>
<b>ENGINEER:</b>		
<b>CUSTOMER:</b>		<i>MJ</i> <b>263722</b>
<b>SUBMITTAL DATE:</b>	<b>SPEC. SYMBOL:</b>	2019/08/14

**UPLC  
UNIVERSAL PLENUM  
LOW PROFILE  
CONVEX APPLICATIONS**