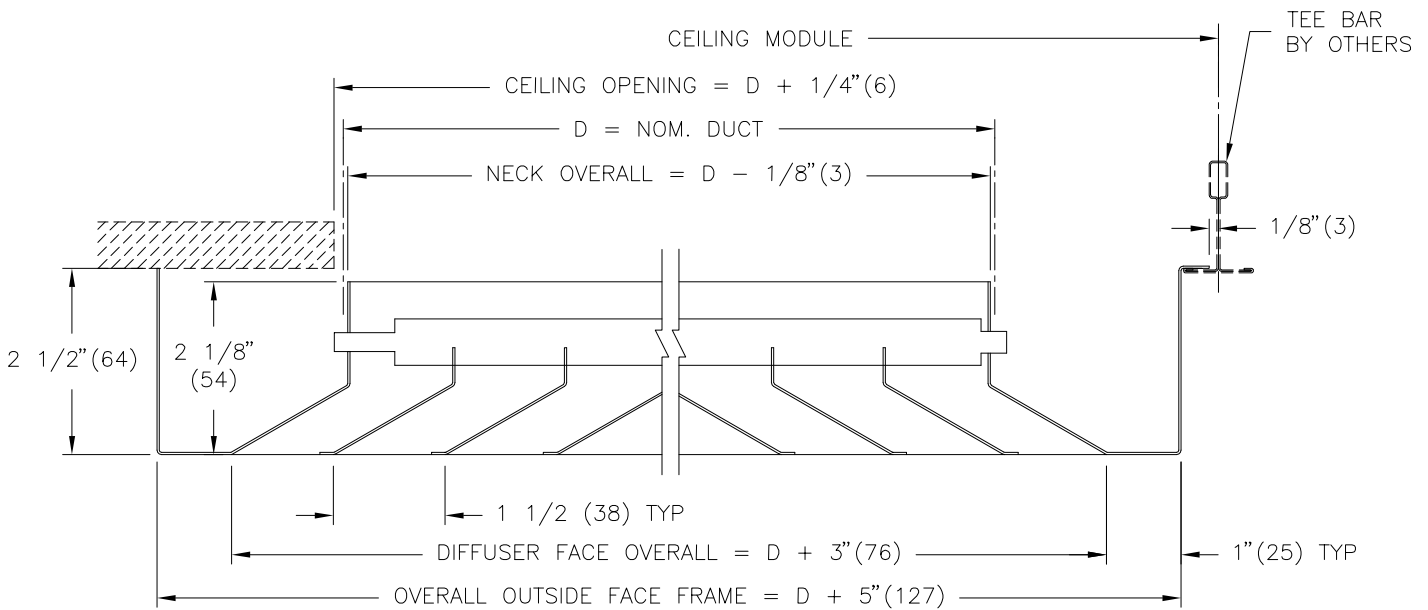


SMD/AMD TYPE 5/TYPE 5TB MODULAR DIFFUSER



TYPE 5

TYPE 5TB

TYPE 5	
SQUARE NECK	ROUND NECK
6x6 (152x152)	4,5,6 (102,127,152)
9x9 (229x229)	6,7,8,9 (152,178,203,,229)
12x12 (305x305)	6,7,8,9,10,12 (152,178,203,229,254,305)
15x15 (381x381)	8,10,12,14,15 (203,254,305,357,381)
18x18 (457x457)	8,10,12,14,15,16,18 (203,254,305,357,381,406,457)
21x21 (533x533)	12,14,15,16,18,20 (203,254,305,357,381,406,457,508)
24x24 (610x610)	12,14,15,16,18,20,22,24(203,254,305,357,381,406,457,508,559,610)

CEILING MODULE	TYPE 5TB
	SQUARE NECK
24x24 (610x610)	18x18 (457x457)
48x48 (1219x1219)	42x42 (1067)

NOTE:

- TYPE 5 AVAILABLE IN SQUARE AND RECTANGULAR CORE STYLES 1S, 1A, 1B, 2S, 2A, 2B, 2G, 2C, 2D, 2E, 2F, 3A, 3A1, 3A2, 3B, 3C, 3E, 4A, 4B, 4C, 4E
- RECTANGULAR UNITS ARE AVAILABLE IN LISTED DUCT DIMENSIONS EXAMPLES: 12" X 6" (305 X 152)
- TYPE 5TB, 18" X 18" - CORE STYLES 1S, 2S, 2G, 3A, 4A
- TYPE 5TB, 42" X 42" - CORE STYLE 4A ONLY
- DIRECTIONAL CORE REMOVABLE AT DIFFUSER FACE

OPTIONS:

- 3 COATED STEEL OPPOSED BLADE DAMPER (SHIPPED LOOSE)
- SR SQUARE TO ROUND ADAPTOR (SHIPPED MOUNTED)
- SR3 SQUARE TO ROUND ADAPTOR (SHIPPED LOOSE) WITH STEEL OPPOSED BLADE DAMPER (SHIPPED LOOSE)
- SR8E SQUARE TO ROUND ADAPTOR (SHIPPED MOUNTED) WITH STEEL BUTTERFLY VOLUME CONTROL DAMPER (SHIPPED LOOSE) DAMPERS ARE ONLY AVAILABLE IN DUCT SIZES 4 TO 15
- SR9 SQUARE TO ROUND ADAPTOR (SHIPPED MOUNTED) WITH RADIAL DAMPER (SHIPPED LOOSE)

MATERIAL:

- SMD: STEEL CONSTRUCTION
- AMD: ALUMINUM CORE WITH STEEL FRAME

FINISH:

- B12 WHITE (OPTIONAL FINISHES AVAILABLE)

PROJECT:

ENGINEER:

CUSTOMER:

SUBMITTAL DATE:

SPEC. SYMBOL:



RV

237105

2010/01/21

SMD

TYPE 5/TYPE 5TB
STEEL/ALUMINUM
MODULAR DIFFUSER