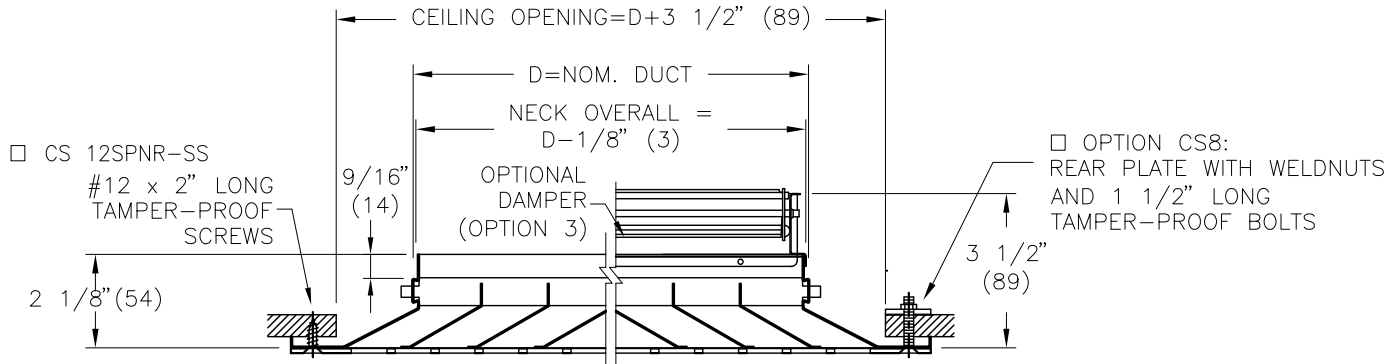
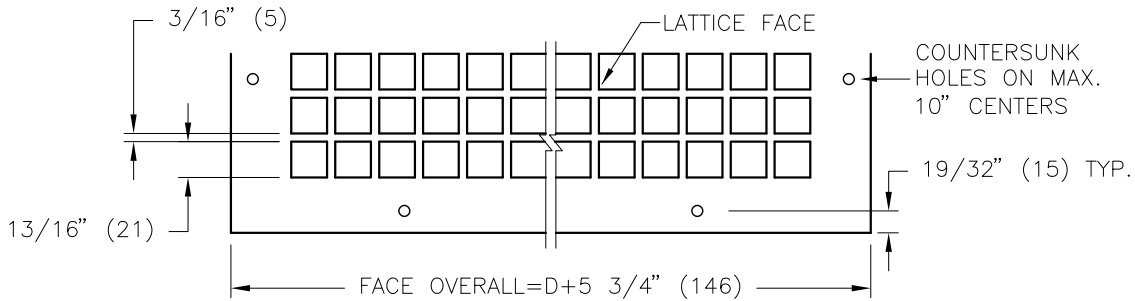


MSD - MINIMUM SECURITY DIFFUSER



STANDARD CONSTRUCTION:

FACE PLATE:

FP12 12 GA. HOT ROLLED STEEL (HRS)
 13/16" (21) SQ. HOLES WITH 3/16" (5) FRET (PATTERN L4)
 COUNTERSUNK SCREW HOLES ON MAX. 10" (254) CENTERS
 WITH TAMPER-PROOF SCREWS

OPTIONS:

- FP10 10 GA. FP14 14 GA.

FACE PLATE PATTERNS: (PATTERNS NOT AVAILABLE WHERE MATERIAL THICKNESS EXCEEDS FRET SIZE)

- L1: 2" (51) SQ. HOLES, 1" (25) FRET
- L2: 1 1/2" (38) SQ. HOLES, 1/2" (13) FRET
- L3: 1" (25) SQ. HOLES, 1/4" (6) FRET
- L5: 3/4" (19) SQ. HOLES, 1/4" (6) FRET
- L6: 9/16" (14) SQ. HOLES, 3/16" (5) FRET
- L7: 1/2" (13) SQ. HOLES, 3/16" (5) FRET
- L8: 1" x 1/4" (25 x 6) RECT. HOLES, 5/16" (8) FRET

(PATTERNS NOT AVAILABLE WHERE MATERIAL THICKNESS EXCEEDS HOLE SIZE)

- P1: 5/16" (8) DIA. HOLES STAGGERED ON 7/16" (11) CENTERS
- P2: 3/16" (5) DIA. HOLES STAGGERED ON 5/16" (8) CENTERS
- P3: 1/4" (6) DIA. HOLES STAGGERED ON 3/8" (10) CENTERS
- P4: 7/16" (11) DIA. HOLES STAGGERED ON 11/16" (17) CENTERS
- OPTION CS8

DIFFUSER:

PRICE MODEL SMD DIFFUSER, 4 WAY PATTERN, TYPE 1 SURFACE MOUNT BORDER

OPTIONS:

- PRICE MODEL SMD, 3 WAY PATTERN
- PRICE MODEL SMD, 2 WAY PATTERN
- PRICE MODEL SMD, 1 WAY PATTERN

FINISH:

- B12 WHITE

(OPTIONAL FINISHES AVAILABLE)

ALL METRIC DIMENSIONS () ARE SOFT CONVERTED. IMPERIAL DIMENSIONS ARE CONVERTED TO METRIC AND ROUNDED TO THE NEAREST MILLIMETER.

OPTIONS & ACCESSORIES:

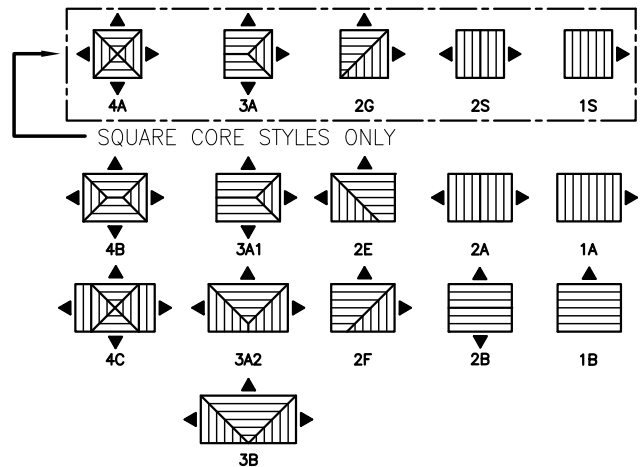
MATERIAL: (ONLY AVAILABLE WITH 10GA. FACE PLATE)
 ALUMINUM FACE PLATE WITH STEEL DIFFUSER

DAMPER OPTION:

- VCS3

NOTES:

- MINIMUM SIZE = 6" x 6" (152 x 152)
- MAXIMUM SIZE = 24" x 24" (610 x 610)
- AVAILABLE SIZES IN 3" INCREMENTS
- FACTORY TOLERANCE ±1/32" (1)
- REFER TO SUBMITTAL 233035 FOR OPTIONS



PROJECT:

ENGINEER:

CUSTOMER:

SUBMITTAL DATE:

SPEC. SYMBOL:

233043

2022/05/06



MSD

MINIMUM SECURITY
DIFFUSER