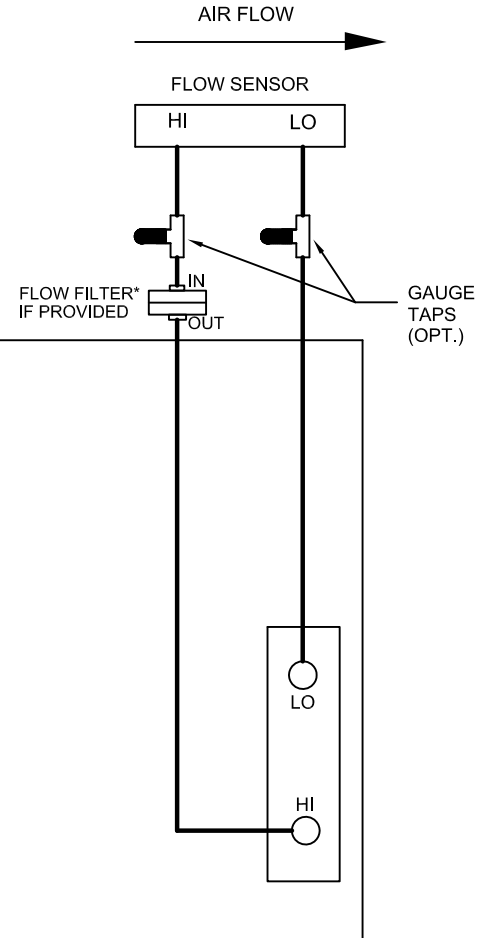
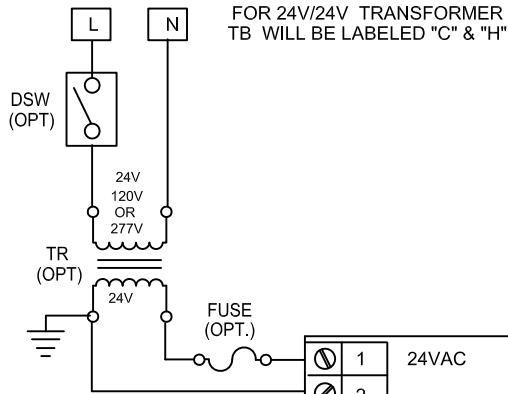
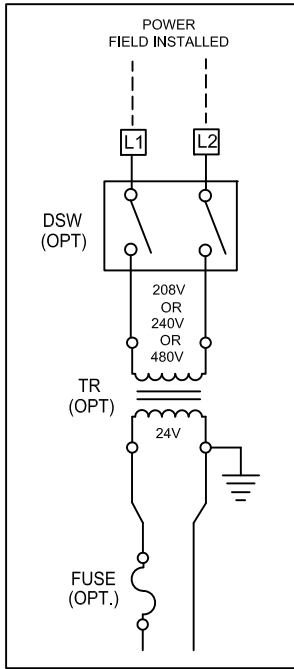
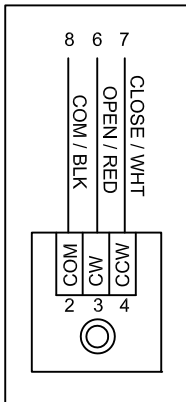


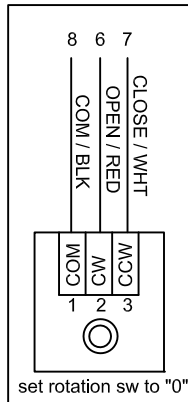
208/240/480V TO 24V  
POWER DETAIL



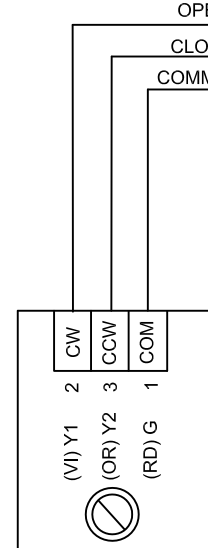
ALERTON VAV-SD(-E) CONTROLLER \*  
OR VAV-SD-E \*



HONEYWELL MN6105  
ACTUATOR DETAIL



BELIMO ACTUATOR  
DETAIL



CUSTOMER SUPPLIED  
ACTUATOR \*

NOTE

\* INDICATES SUPPLIED BY CONTROL CONTRACTOR

- FACTORY PNEUMATIC TUBING
- OPTIONAL ELECTRICAL WIRING
- FACTORY ELECTRICAL WIRING
- FIELD ELECTRICAL WIRING

**PROJECT:**

**ENGINEER:**

**CUSTOMER:**

**SUBMITTAL DATE:**

**SPEC. SYMBOL:**

12172

2011/06/10



**SINGLE DUCT  
ALERTON VAV-SD**  
CLG., OPTIONAL HW REHEAT  
Variable or Constant Volume