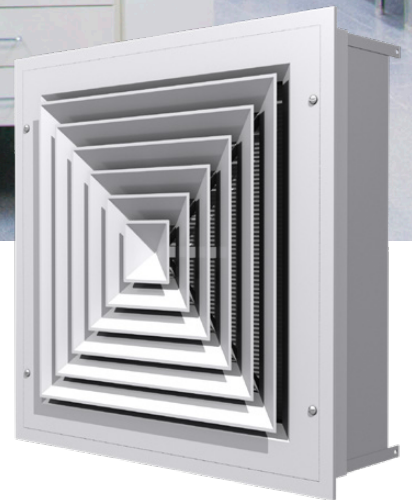


AMDC

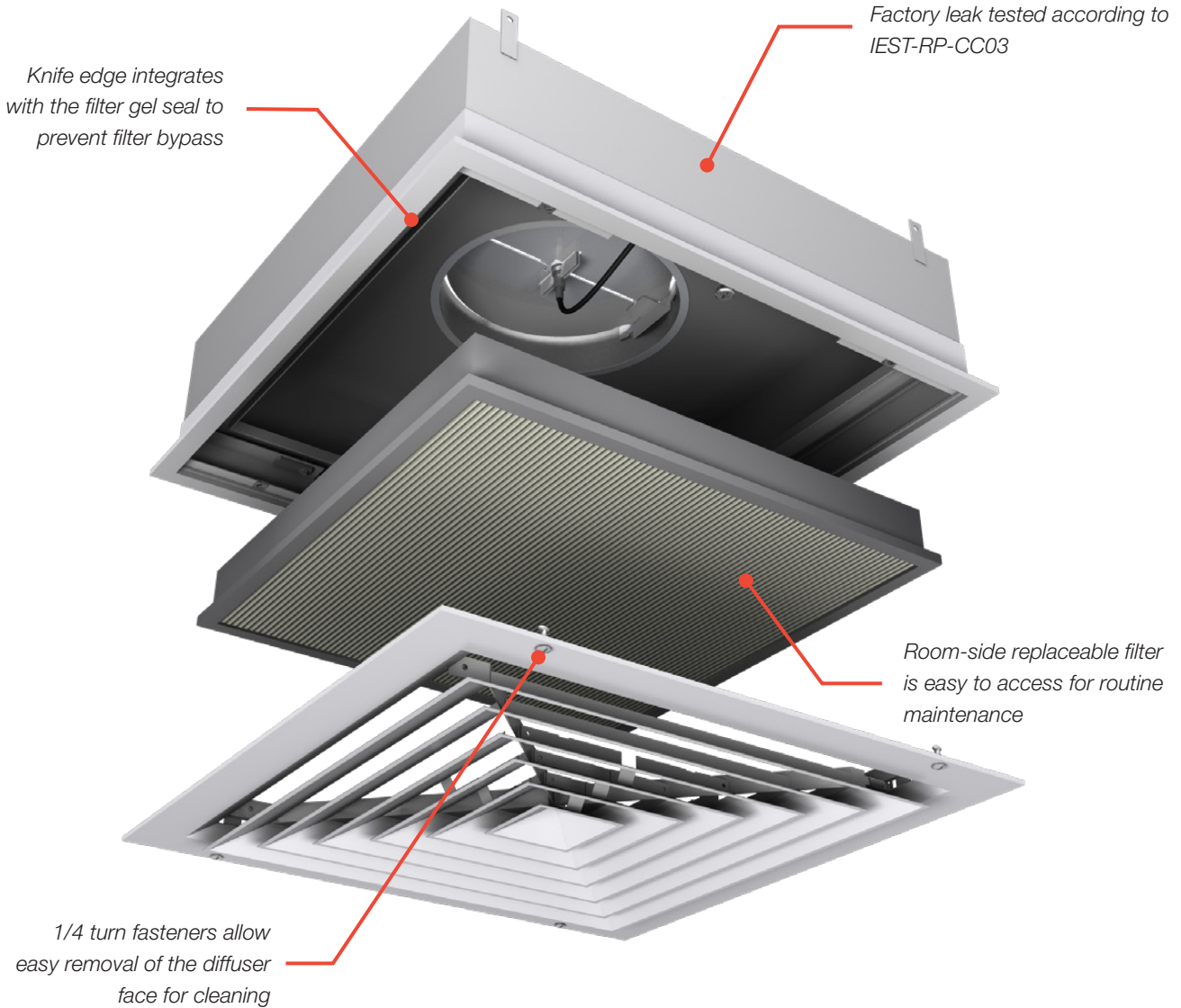
LOUVERED FACE DIFFUSER WITH HEPA FILTER



AMDC

Louvered Face Diffuser with HEPA Filter

The all-aluminum AMDC provides a high volume of filtered airflow with a very high induction rate and horizontal air pattern. The high induction rate works to dilute contaminants by quickly mixing room and supply air. The horizontal air pattern helps to direct the contaminated air toward low-level exhaust grilles where it is removed from the clean space.



ROOM-SIDE REPLACEABLE FILTER

- + Convenient access from the room-side for periodic filter replacement.
- + Gel seal filter frame and diffuser “knife edge” flange create a reliable seal to prevent filter bypass.
- + Optional factory supplied HEPA filter removes 99.99% of contaminants.

CLEANING AND MAINTENANCE

- + AMDC units satisfy all ASHRAE 170 requirements for diffuser cleaning and maintenance.
- + Powder coat paint finish is formulated for routine exposure to hospital grade cleaning solutions and disinfectants.
- + Stainless steel 1/4 turn fasteners and retainer cables provide straightforward and convenient access to the filter and knife-edge frame.

FACTORY LEAK TESTING AND CERTIFICATION

- + Every AMDC is factory tested and certified leak-free in accordance with IEST-RP-CC034.

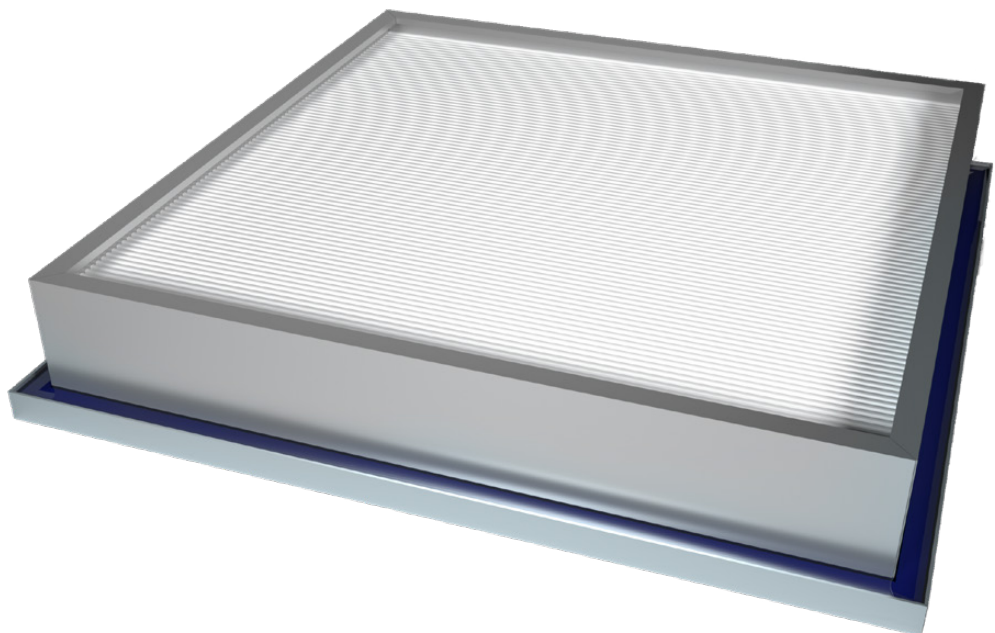
TYPICAL APPLICATIONS

AMDC louvered face diffusers with replaceable HEPA filters are an effective air distribution solution in today's modern cleanrooms. They are designed to provide large volumes of filtered air in a 4-way horizontal air pattern.

CONSTRUCTION

- + Options
 - Exterior insulation
 - Cable operated damper (VCR8EC)

*Room-side replaceable filter
with integral gel seal*



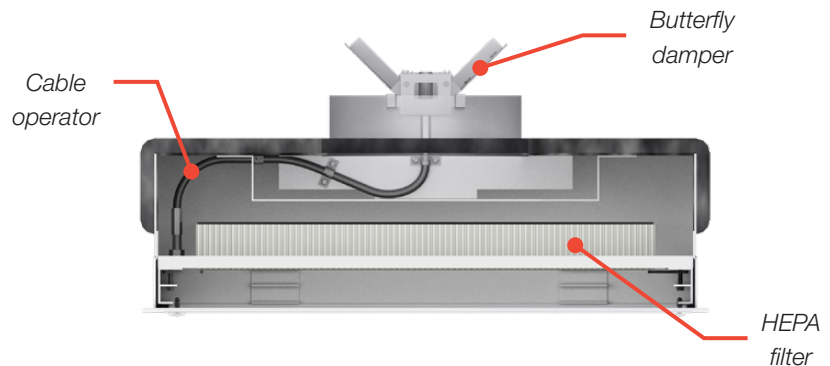


ROOM-SIDE ADJUSTABLE INLET DAMPER

- + An optional remote cable operated damper allows adjustment of the damper with the filter in place using a standard screwdriver.
- + Locating the damper operator outside of the filter maximizes filter area, leading to a larger airflow capacity and less pressure drop.

AEROSOL SAMPLE AND STATIC PRESSURE PORT

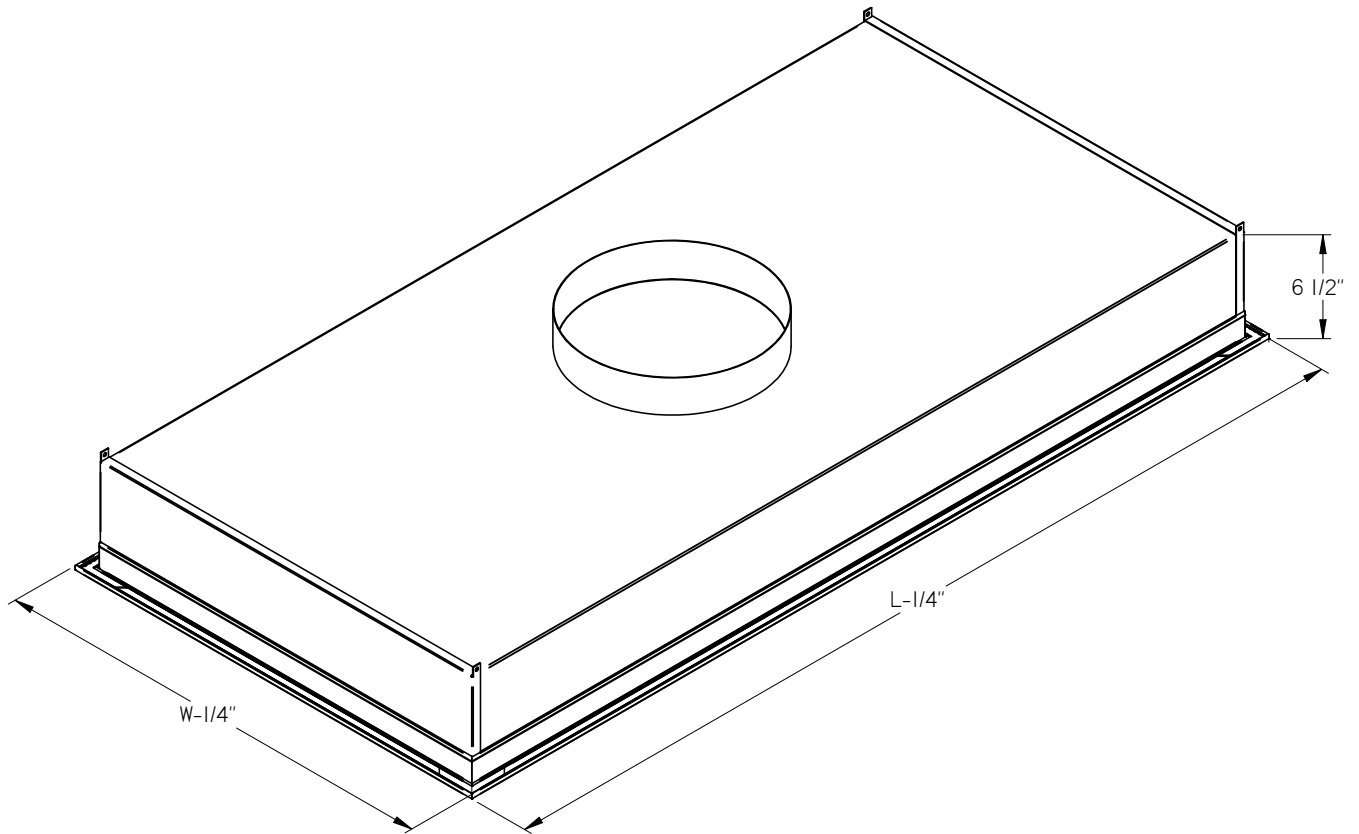
- + Used for room-side field measurement of static pressure and challenge aerosol concentrations upstream of the filter during the commissioning process.



Room-side adjustable damper cross sectional view

FACTORY INSTALLED INSULATION

- + Ensures quality application and minimizes field labor with factory installed insulation
- + Eliminates condensation risk associated with unconditioned plenum air exposure to cold diffuser surfaces
- + Reduces thermal gain for improved energy savings
- + Meets ASTM E84 and UL723 requirements

DIMENSIONAL DATA

Nominal Sizes	
W x L	Inlet Size
24 in x 24 in.	10 in.
24 in x 48 in.	12 in.

PERFORMANCE DATA

Unit Size (in.)	Inlet Size (in.)	Air Flow (cfm)	Filter	Static Pressure (in. w.g.)	Sound (NC)	Side	Horizontal Throw (ft.) 150-100-50 fpm	
24 x 24	10	100	HE	0.17	-	-	1-2-5	
		150		0.28	-	-	1-3-6	
		200		0.40	-	-	2-4-7	
		250		0.52	16	-	3-6-8	
		100	HEPA	0.26	-	-	1-2-5	
		150		0.44	-	-	1-3-6	
		200		0.60	15	-	2-4-7	
		250		0.76	21	-	3-6-8	
		100	ULPA	0.37	-	-	1-2-5	
		150		0.61	-	-	1-3-6	
		200		0.84	8	-	2-4-7	
		250		1.08	26	-	3-6-8	
24 x 48	12	300	HE	0.17	-	A	1-3-1	
						B	----1	
		400		0.25	-	A	3-6-19	
						B	----3	
		500		0.34	15	A	4-9-21	
						B	--1-4	
		600		0.43	21	A	6-12-23	
						B	--1-6	
		300	HEPA	0.37	-	A	1-3-12	
						B	----1	
				400	0.5	-	A	3-6-19
							B	----3
		500		0.64	15	A	4-9-21	
						B	--1-4	
		600		0.76	21	A	6-12-23	
						B	--1-6	
		300	ULPA	0.53	-	A	1-3-12	
						B	----15	
				400	0.7	-	A	3-6-19
							B	----3
		500		0.9	17	A	4-9-21	
						B	--1-4	
		600		1.08	22	A	6-12-23	
						B	--1-6	

Performance Notes:

1. sp = Static Pressure, in. w.g., required at inlet for the listed cfm.
2. cfm = Air flow in cubic feet per minute [cfm].
3. NC = Noise Criteria. NC values are based on room absorption of 10dB, re 10⁻¹² watts.
4. Blanks "-" indicate an NC level below 15.
5. Throw values are given in feet to terminal velocities of 150 fpm (minimum), 100 fpm (middle) and 50 fpm (maximum).
6. Throw values are based on isothermal conditions. For cooling conditions, see correction factors.
7. sp and NC at full open damper position.
8. Tested in accordance with ASHRAE Standard 70-2006 "Method of Testing for Rating the Performance of Air Outlets and Inlets."

Throw Correction Factors

For throw at cooling conditions, multiply the listed throw values by the following correction factors:

10 °F cooling differential	0.70
20 °F cooling differential	0.50



Product Improvement is a continuing endeavour at Price. Therefore, specifications are subject to change without notice. Consult your Price Sales Representative for current specifications or more detailed information. Not all products may be available in all geographic areas. All goods described in this document are warranted as described in the Limited Warranty shown at priceindustries.com. The complete Price product catalog can be viewed online at priceindustries.com.