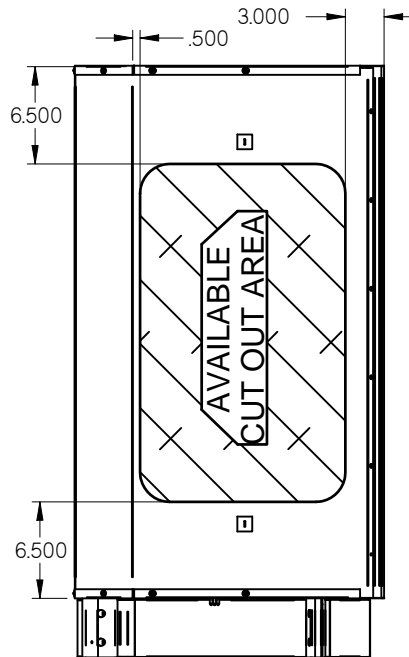
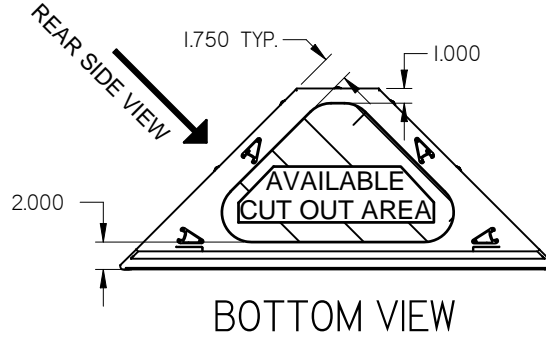
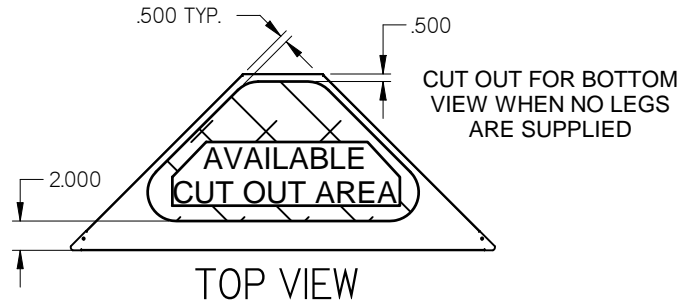
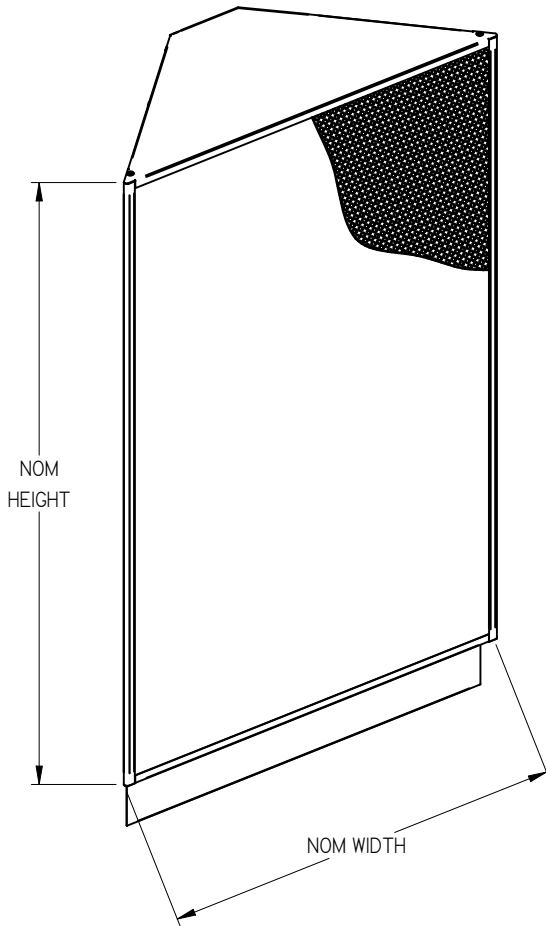


DF1C-FC FLOOR RECTANGULAR CORNER DISPLACEMENT DIFFUSER



NOMINAL SIZE
METRIC
W x H
24 x 24 (610 x 610)
24 x 36 (610 x 915)
24 x 48 (610 x 1219)
24 x 60 (610 x 1525)
24 x 72 (610 x 1829)
30 x 24 (762 x 610)
30 x 36 (762 x 915)
30 x 48 (762 x 1219)
30 x 60 (762 x 1525)
30 x 72 (762 x 1829)
36 x 24 (915 x 610)
36 x 36 (915 x 915)
36 x 48 (915 x 1219)
36 x 60 (915 x 1525)
36 x 72 (915 x 1829)

OPTIONAL ACCESSORIES:

- BASE SEE SUBMITTAL 243660
- DUCT COVER SEE SUBMITTAL 243660

DIFFUSER:

STANDARD MATERIAL

- PERFORATED FRONT PANEL - 16 GA. STEEL
- SIDE, TOP AND BOTTOM PANELS - 20 GA STEEL
- FRAME - ALUMINUM

FINISH:

- DIFFUSER - B12 WHITE
- (OPTIONAL FINISHES AVAILABLE)

NOTE:

- FACTORY TOLERANCE +/- .031" (1)
- ALL UNITS COME WITH INTERNAL BAFFLE
- SEE INSTALLATION MANUAL II00008

ALL METRIC DIMENSIONS () ARE SOFT CONVERTED. IMPERIAL DIMENSIONS ARE CONVERTED TO METRIC AND ROUNDED TO THE NEAREST MILLIMETER.

PROJECT:

ENGINEER:

CUSTOMER:

SUBMITTAL DATE:

SPEC. SYMBOL:



255600

SEPT 2010

**DF1C-FC
FLOOR MOUNTED
RECTANGULAR CORNER
DISPLACEMENT DIFFUSER
W/ OPTIONAL BASE & COVER**

Solid Edge