

MANUAL – INSTALLATION

Linear Bar Grille

LBP

v000 – Issue Date: 09/17/18

© 2018 Price Industries Limited. All rights reserved.

PRICE[®]

LINEAR BAR GRILLE

TABLE OF CONTENTS

Product Overview

Overview	1
Before You Start	1
Getting Started.....	1

Installation & Mounting Instructions

General Fastening

Countersunk 'A' and Straight Hole 'H' Mounting	3
Spring Clip 'B' Mounting.....	4
Concealed 'C' Mounting	5

Fastening with Mounting Frame

Countersunk 'A' with Mounting Frame	8
Spring Clip 'B' Fastening with Mounting Frame.....	9
Type 'C' Fastening with Mounting Frame	10
Spring Clip 'D' Mounting.....	11
Parts List.....	12

LINEAR BAR GRILLE

PRODUCT OVERVIEW

Product Overview

LBP: Extruded aluminum and pressed, fixed core construction. Recommended for use in sill, sidewall, and ceiling applications.

NOTE: This product is not suitable for floor applications.

The linear grilles will have one (1) sticker located on the outside of the frame. For ease of troubleshooting assistance, replacement parts, and general factory assistance, it is recommended that the order number and model line string be available for reference. This information can be found on the Factory Label.



Before You Start

Inspect all cartons and boxes for flaws and shipping damage.

If anything is discovered to be damaged, contact the shipping company and file a freight claim.

Getting Started

STEP 1: Remove LBP grille from shipping carton and inspect for any damage.

STEP 2: Refer to the Factory Label to determine the grille's border type. The border type can be found on the line string as shown, in the sample line string below the frame type is bolded. For grilles with border types 500F, 750F, 1000F and 1250F proceed to Step 3A.

*Sample line string: LBP//I/12.000/4.000/25B/**1000F**//XX//B//B12*

For grilles with border types 500, 750, 1000 and 1250 proceed to Step 3B.

*Sample line string: LBP//I/12.000/4.000/25B/**1000**//XX//A//B12*

STEP 3A: Refer to Factory Label to determine the type of fastening for the grille. Use the following table for appropriate reference page for the particular fastening type. The type of fastening can be found in the line string as shown in the below sample line string as bolded character.

*Sample line string: LBP//I/12.000/4.000/25B/1000F//XX//**B**//B12*

Mounting Type	Line String Sample	Page Number
Countersunk	A	8
Spring Clip 'B'	B	9
Concealed	C	10
Spring Clip 'D'	D	11

Continue to the page listed in the table for the installation instructions

STEP 3B: Frame out or cut a hole opening where the grille will be placed.

Framing dimensions should be equal to the nominal size listed on the Factory Label. In the below example, the framing should have an opening of 12 in. x 4 in.

*Sample line string: LBP//I/**12.000/4.000/25B/1000**//XX//A//B12*

NOTE: Blocking recommended if grille is laid into drywall.

NOTE: Ensure blocking does not interfere with duct work.

LINEAR BAR GRILLE

PRODUCT OVERVIEW

STEP 4: Refer to Factory Label to determine the type of fastening for the grille. Use the following table for appropriate reference page for the particular fastening type.

Sample line string: *LBP//I/12.000/4.000/25B/1000//XX//A//B12*

Mounting Type	Line String Sample	Page Number
Countersunk	A	3
Straight Hole	H	3
Spring Clip 'B'	B	4
Concealed	C	5

LINEAR BAR GRILLE

INSTALLATION & MOUNTING INSTRUCTIONS

General Fastening

Countersunk 'A' and Straight Hole 'H' Mounting

Application: Ceiling, wall & sill.

'A' Fastening Borders: 1000 & 1250

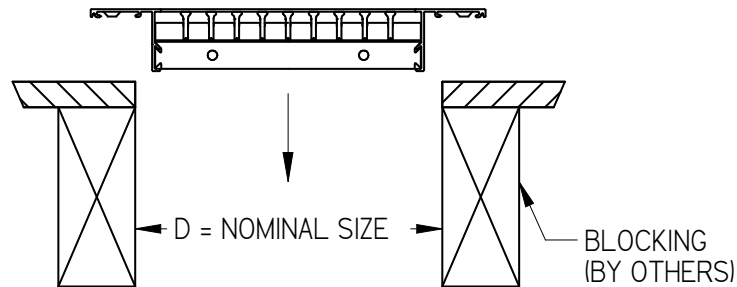
'H' Straight Hole Borders: 500 & 750

Sample line string:

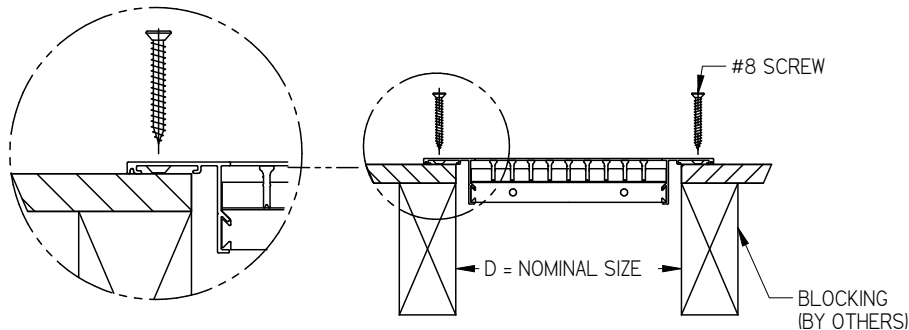
LBP//I/12.000/4.000/25B/1000//XX//A//B12

LBP//I/12.000/4.000/25B/500//XX//H//B12

STEP 1: Once the application of the grille has been determined and the opening has been cut/framed out with the recommended blocking, place the grille in the opening.



STEP 2: Screw the grille into place using #8 countersunk ('A' mounting) or straight hole ('H' mounting) screws provided by Price.



LINEAR BAR GRILLE

INSTALLATION & MOUNTING INSTRUCTIONS

Spring Clip 'B' Mounting

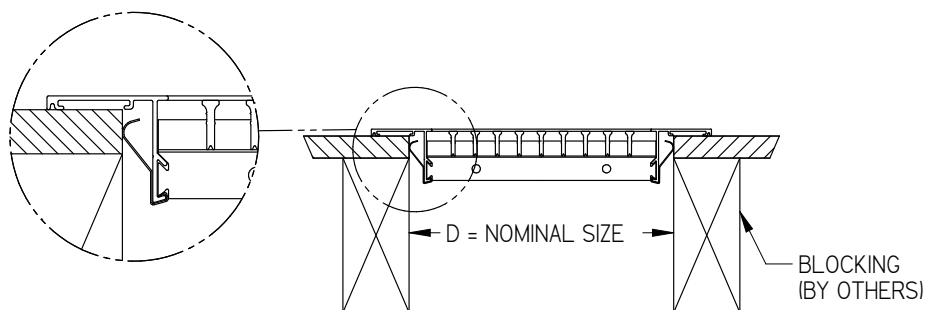
Application: Sill only, not to be used for ceiling or sidewall installation

Applicable Frames: 500, 750, 1000 & 1250

Sample line string:

LBP//I/6.000/12.000/26B/1250///XX//B//B12

STEP 1: Once the application of the grille has been determined and the opening has been cut and framed out with the recommended blocking, lay the grille into the opening. Push the grille into the opening until the frame comes in contact with the sill.



LINEAR BAR GRILLE

INSTALLATION & MOUNTING INSTRUCTIONS

Concealed 'C' Mounting

Application: Ceiling, wall, or sill.

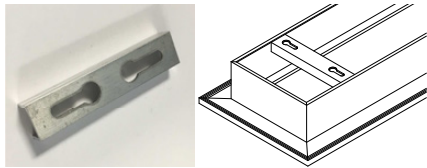
Applicable Frames: 500, 750, 1000, 1250, 500F, 750F, 1000F & 1250F

Minimum width: 2" (51)

Maximum width: 18" (457)

Concealed Mounting Components

INNER MOUNTING BRACKET ▼



MOUNTING SCREW ▼

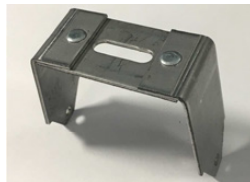


NOTE: THE INNER MOUNTING BRACKETS COME ATTACHED TO THE GRILLE.

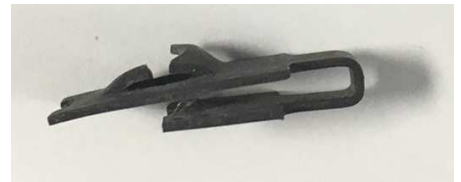
RUBBER WASHER ▼



OUTER MOUNTING BRACKET ▼



BLACK THREADED CLIP ▼



STEP 1: Ensure that the core style is suitable for concealed 'C' mounting.

Suitable core styles: 15B, 16B, 25B, 25C, 26B & 27B

Unsuitable core styles: 15A, 16A, 26C or 27C.

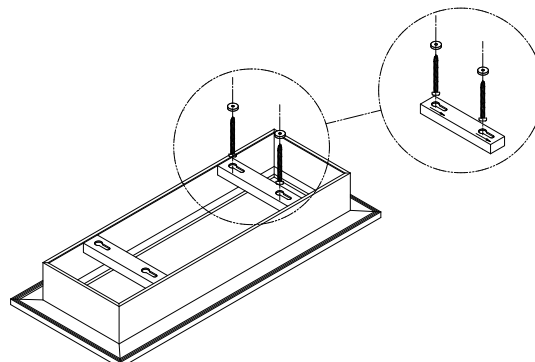
The core style can be found on the line string as shown in the sample line string in bold below.

Sample line string:

LBP//1/6.000/12.000/**15B**/1250//XX//C//B12

STEP 2: Open the bag with the hardware; ensure that there is the appropriate amount of brackets, clips, washers and screws.

STEP 3: Install mounting screws through the slotted holes of the inner mounting brackets by inserting the head of the screw through the larger portion of the slot of the inner mounting bracket. Slide the screw into the narrow end of the slot, and retain the mounting screw in place using the provided rubber washers by sliding the washers all the way down to the base of the screw.

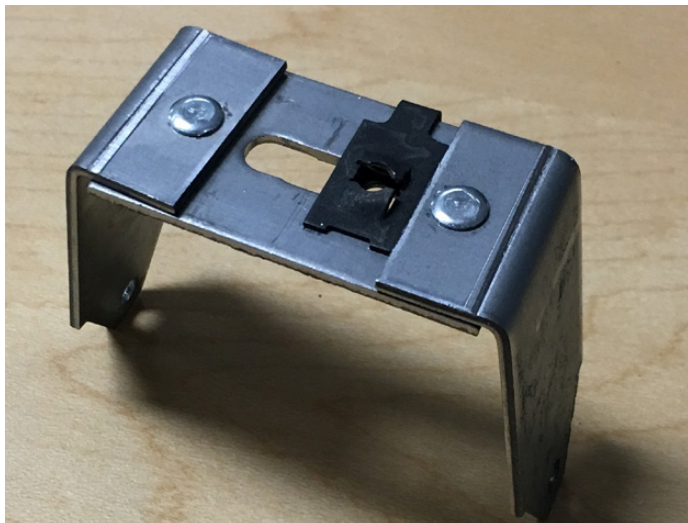


LINEAR BAR GRILLE

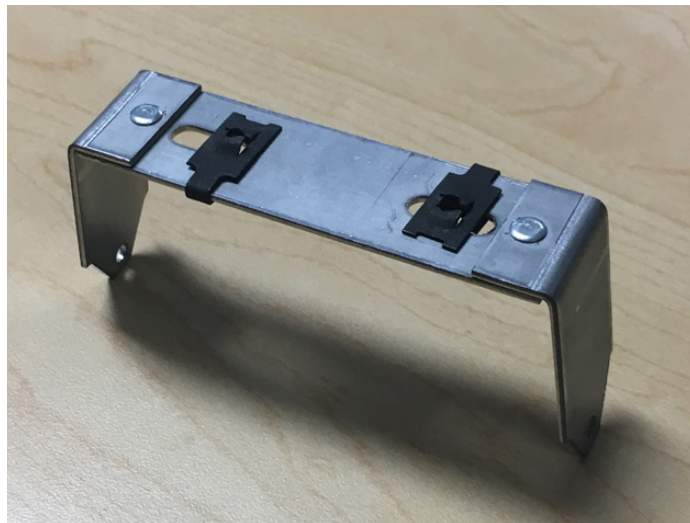
INSTALLATION & MOUNTING INSTRUCTIONS

STEP 4: Place the black threaded clips on the slot(s) of the outer concealed bracket.

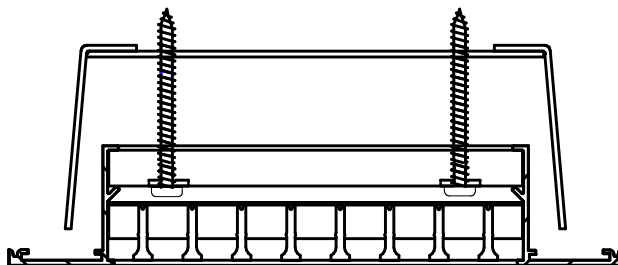
UP TO 3 IN. ▼



OVER 3 IN. ▼



STEP 5: Place the outer brackets over the inner brackets, lining up the mounting screws with the black threaded clips of the outer brackets. With a screwdriver, turn each screw clockwise, alternating mounting screws to ensure that the outer bracket remains as parallel to the frame as possible. Keep turning the mounting screws until the outer brackets are approximately halfway down the length of the screws.



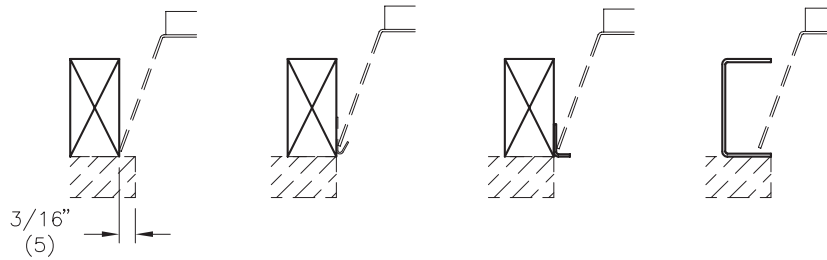
LINEAR BAR GRILLE

INSTALLATION & MOUNTING INSTRUCTIONS

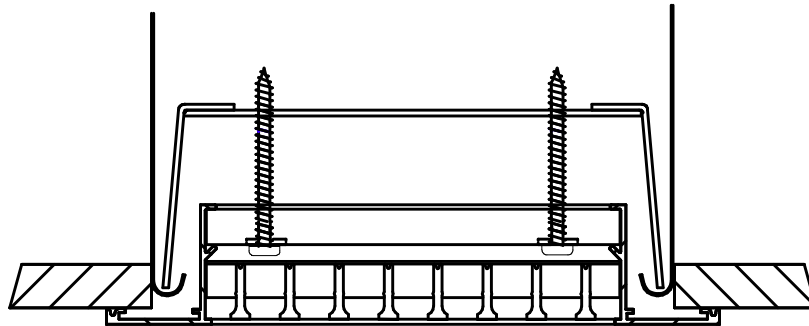
STEP 6: Install the grille with the concealed mounting brackets into the hemmed duct or wall opening.

NOTE: Ensure that the outer bracket latches onto the hem of the duct or mounting frame before tightening the concealed mounting screws.

NOTE: If the ducting/plenum is not hemmed, a ledge may be added for installing the bracket. This may be formed by the drywall, a sheet metal hem or angle or, metal stud framing.



STEP 7: Tighten concealed mounting screws until the frame comes into contact with the surface.



LINEAR BAR GRILLE

INSTALLATION & MOUNTING INSTRUCTIONS

Fastening with Mounting Frame

Countersunk 'A' with Mounting Frame

Application: Ceiling, wall & sill.

'A' Fastening Borders: 1000F & 1250F

Sample line string:

LBP//I/12.000/4.000/25B/1000F//XX//**A**//B12

STEP 1: Frame out and/or cut a hole opening where the grille will be placed. Framing and opening dimension should be equal to the nominal size listed on the Factory Label plus 1/4 in.

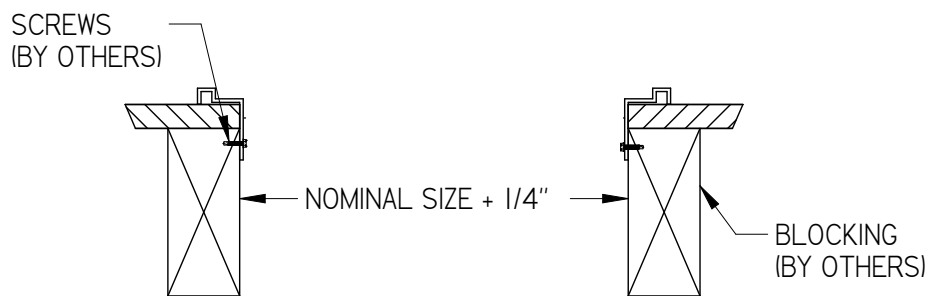
NOTE: Blocking recommended if grille is laid into drywall.

NOTE: Ensure blocking does not interfere with duct work.

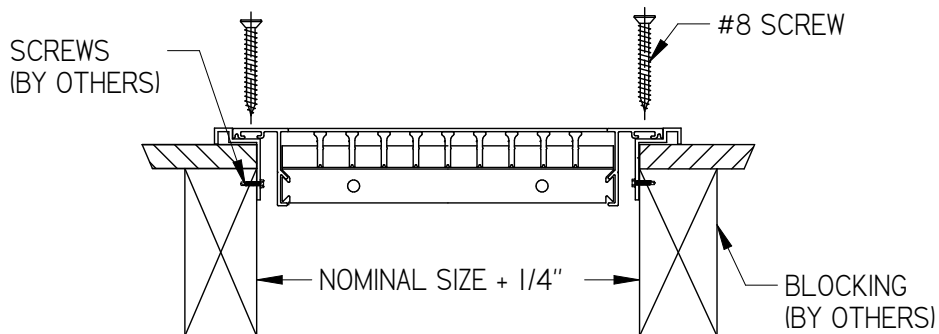
STEP 2: Once the opening has been cut/framed out with the recommended blocking, screw the mounting frame into the blocking to secure it into place. The nominal size can be found on the line string as shown in the sample linestring in bold below.

Sample line string:

LBP//I/**12.000/4.000**/25B/1000F//XX//**A**//B12



STEP 3: Place the grille in the opening and using the #8 screws provided by Price to screw the grille into place.



LINEAR BAR GRILLE

INSTALLATION & MOUNTING INSTRUCTIONS

Spring Clip 'B' Fastening with Mounting Frame

Application: Sill only, not to be used for ceiling or sidewall installation

Applicable Frames: 750F, 1000F & 1250F

Sample line string:

LBP//I/6.000/12.000/26B/1250F//XX//**B**//B12

STEP 1: Frame out and/or cut a hole opening where the grille will be placed. Framing and hole dimension should follow the opening size listed in the table below.

The nominal size can be found on the line string as shown in the sample linestring in bold below.

Sample line string:

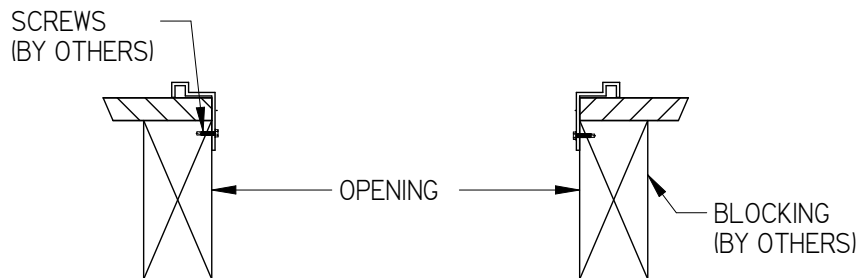
LBP//I/**12.000/4.000**/25B/1000F//XX//B//B12

Frame Type	Opening
750F	Nominal + 1/8 in.
1000F	Nominal + 1/4 in.
1250F	Nominal + 1/4 in.

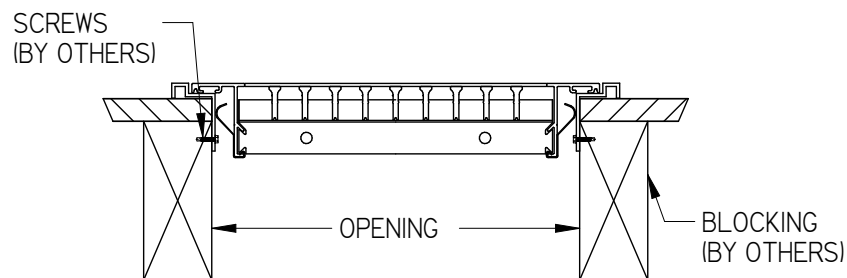
NOTE: Blocking recommended if grille is laid into drywall.

NOTE: Ensure blocking does not interfere with duct work.

STEP 2: Once the opening has been cut/framed out with the recommended blocking, screw the mounting frame into the blocking to secure it into place.



STEP 3: Press the grille into the opening until the frame comes in contact with the mounting frame.



LINEAR BAR GRILLE

INSTALLATION & MOUNTING INSTRUCTIONS

Type 'C' Fastening with Mounting Frame

Application: Ceiling, wall, floor or sill.

Applicable Frames: 750F, 1000F & 1250F

Minimum width: 2" (51)

Maximum width: 18" (457)

STEP 1: Ensure that the core style is suitable for concealed 'C' mounting.

Unsuitable core styles: 15A, 16A, 26C or 27C.

Suitable core styles: 15B, 16B, 25B, 25C, 26B & 27B

Sample line string (suitable core style):

*LBP//I/6.000/12.000/**15B**/1250//XX//C//B12*

STEP 2: Frame out and/or cut a hole opening where the grille will be placed. Framing and hole dimension should follow the opening size listed in the table below.

The nominal size can be found on the line string as shown in the sample linestring in bold below.

Sample line string:

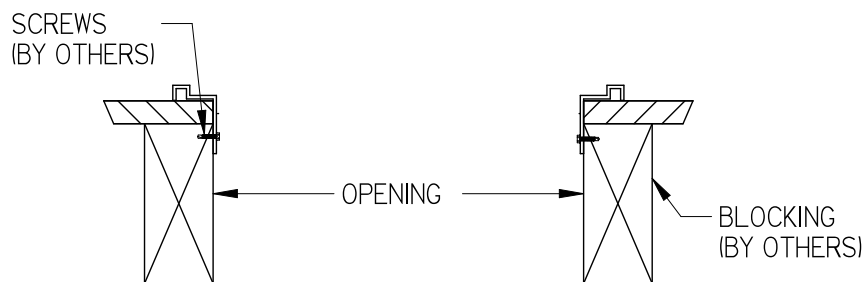
*LBP//I/**12.000/4.000**/25B/1000F//XX//B//B12*

Frame Type	Opening
750F	Nominal + 1/8 in.
1000F	Nominal + 1/4 in.
1250F	Nominal + 1/4 in.

NOTE: Blocking recommended if grille is laid into drywall.

NOTE: Ensure blocking does not interfere with duct work.

STEP 3: Once the opening has been cut/framed out with the recommended blocking, screw the mounting frame into blocking to secure it into place.



STEP 4: Continue to page 5, step 3 of concealed 'C' mounting.

LINEAR BAR GRILLE

INSTALLATION & MOUNTING INSTRUCTIONS

Spring Clip 'D' Mounting

Application: Sill only, not to be used for ceiling or sidewall installation

Applicable Frames: 500F

Sample line string:

LBP//1/6.000/12.000/26B/500F//XX//**D**//B12

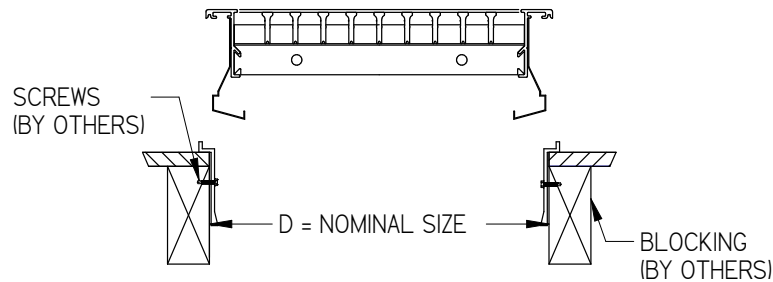
STEP 1: Once the application of the grille has been determined and the opening has been cut/framed out with the recommended blocking, screw the mounting frame into blocking to secure it into place. The nominal size can be found on the line string as shown in the sample line string in bold below.

Sample line string:

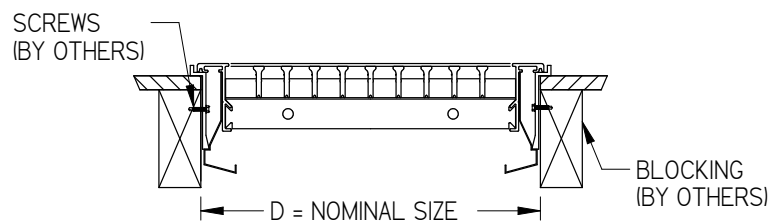
LBP//1/**12.000/4.000**/25B/500F//XX//**D**//B12

NOTE: Blocking recommended if grille is laid into drywall.

NOTE: Ensure blocking does not interfere with duct work.



STEP 2: Press grille into opening until frame comes in contact with mounting frame and the spring clips engage..



LINEAR BAR GRILLE

INSTALLATION & MOUNTING INSTRUCTIONS

Part List

A & H Mounting

Part Name	Finish	Part Number
A Mounting Screws	B12 - White	900179-001
	B15 - Metallic Gray	900179-002
	B17 - Black	900179-003
	MILL - Unpainted	900179-004
H Mounting Screws	-	031948-999

B Mounting

Part Name	Part Number
B Spring Clip	026423-002

D Mounting

Part Name	Part Number
D Spring Clip	026425-001

Concealed Mounting Parts

Part Name	Description	Part Number
Inner Bracket		238079
Outer Bracket		205798
Hardware		205824
Hardware Parts		205824
Mounting Screw	SMS #8-2.00 A Quad FI ZP	031936-004
Mounting Screw	SMS #8x2.5 A PH PN PL	031949-001
Threaded clips	#8 J-Nut Tinn DC-8042-8-4	032160-001
Washer	Washer NPRN #2629	033363-001
Sheet metal screws	#6-20x.375 DS RB PN PL	031011-001

Accessories

Part Name	Description	Part Number
Splice Plate	Alignment Splice Plate for Frames 500 and 750	237964-001
	Alignment Splice Plate for Frames 1000 and 1250	237964-002

This document contains the most current product information as of this printing.
For the most up-to-date product information, please go to priceindustries.com

© 2018 Price Industries Limited. All rights reserved.

PRICE[®]

The Science of Comfort[™]