



SERVICE & INSTALLATION MANUAL

Price Power Module (PPM)

For Price Controls

v100 – Issue Date: 04/10/19

© 2019 Price Industries Limited. All rights reserved.

PRICE[®]

PPM – PRICE POWER MODULE

TABLE OF CONTENTS

Product Overview

General	1
Rules for connecting to a Prodigy Diffuser	2
Rules for connecting to a PIC Controller	3
Rules for connecting to a PIC-SD Controller	4
Specifications & Limitations	5

SUPPORT:

Having difficulty installing or configuring this product? Price is here to help!

CONTROLS APPLICATION SUPPORT:

Ph: 204.654.5613

Email: controls@priceindustries.com

Web: priceindustries.com/resources/type/literature

PPM – PRICE POWER MODULE

PRODUCT OVERVIEW

General

The Price Power Module (PPM) can support up to [15] Prodigy Master units and associated Drones, or, up to [15] PIC controllers. It provides the most economical and convenient method of powering up multiple devices with 24VAC.

Electrician time is limited, as only one power connection is required at each PPM unit. This means that the electrician provides line voltage once, and the low voltage connections are left to the installing contractor.

Designed to be ceiling mounted in the plenum space, the enclosed 96VA Class 2 transformer is offered with 120VAC, 240VAC, 277VAC & 480VAC primary voltage options. Final power connections to the devices are completed with plenum cables which have RJ12 ends for easy connection to and from the power module.

Features:

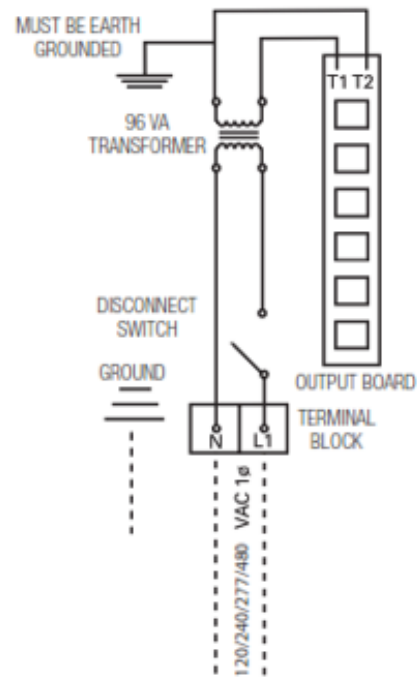
- Class 2 transformer (120,240,277,480 to 24VAC) with breaker resettable overload protection.
- Overload indicator LEDs on each circuit will light up if too many devices are connected, or if a short is detected within the cable.
- 6 parallel power jacks which can support up to [6] Prodigy diffusers per jack, with any combination of masters and drones.
- 6 parallel power jacks which can support [3] Price Intelligent Controllers (PIC) per jack.
- Maximum [15] Prodigy or PIC controllers per PPM.
- C35 cables (35 ft CMP plenum rated) with RJ12 plugs provide flexible and convenient power connections to the PPM. Multiple cables can be connected using a Cable Connector (CC) for longer runs.
- Power switch with indicator light.

Installation Instructions:

1. Turn off power switch, and remove the cover.
2. Secure the box to the surface in the plenum using the 3 mounting holes. Orientation of the PPM is not relevant.
3. Supply power and a ground to the terminal block as per the wiring diagram.
4. Replace the cover.
5. Turn on the power switch. Green LED indicates power.



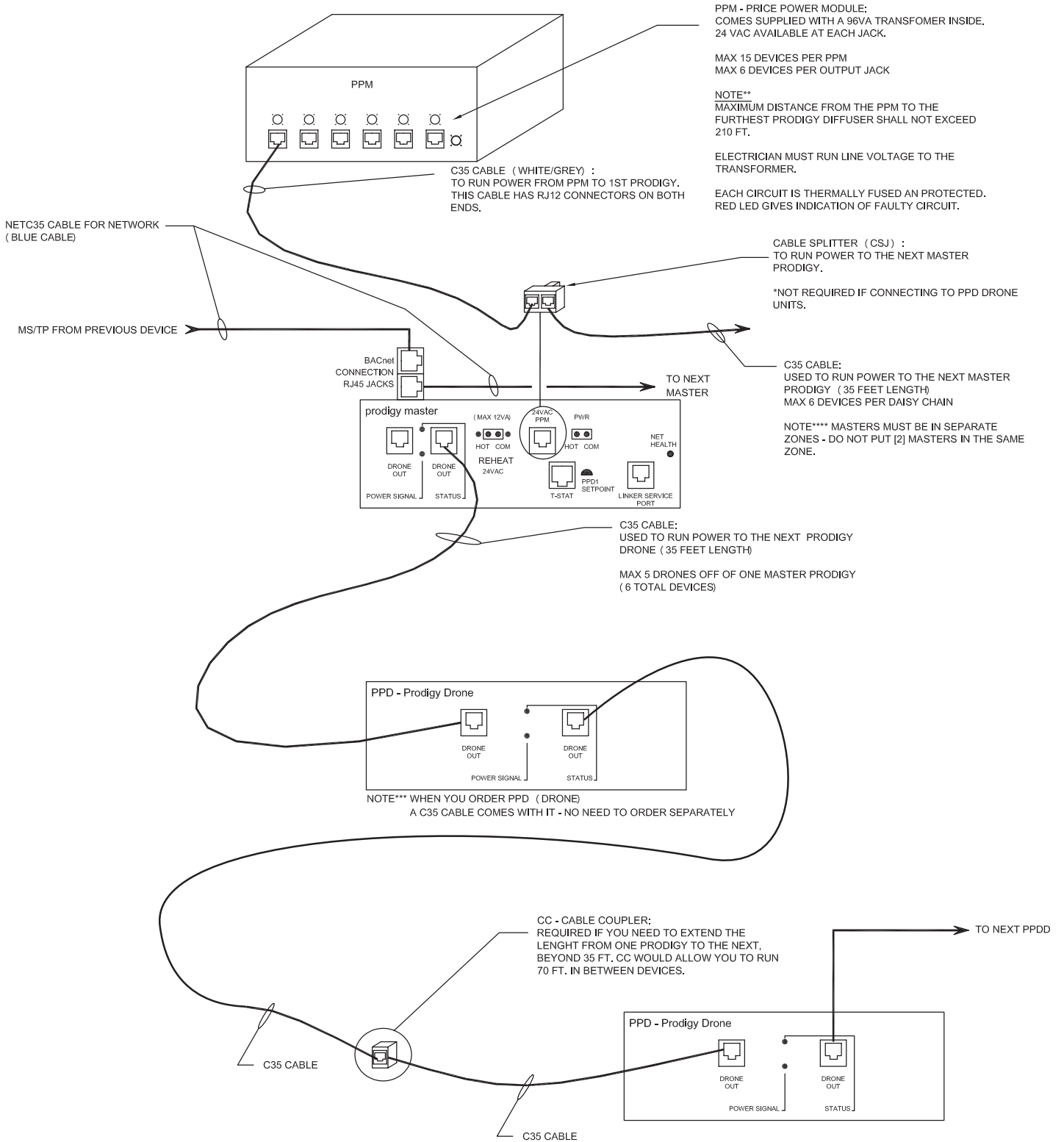
PPM CONNECTIONS ▼



PPM – PRICE POWER MODULE

PRODUCT OVERVIEW

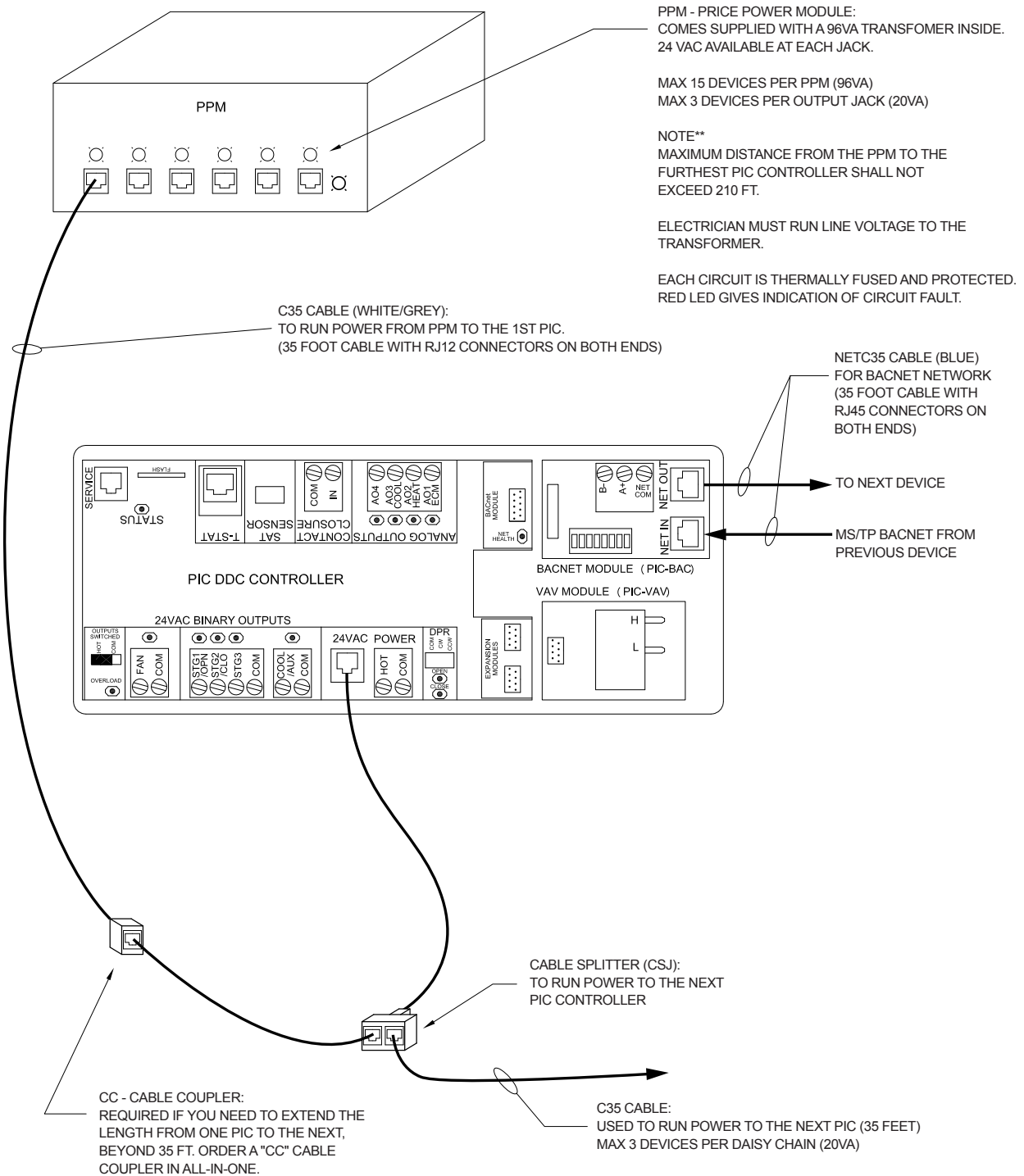
Rules for connecting to a Prodigy Diffuser



PPM – PRICE POWER MODULE

PRODUCT OVERVIEW

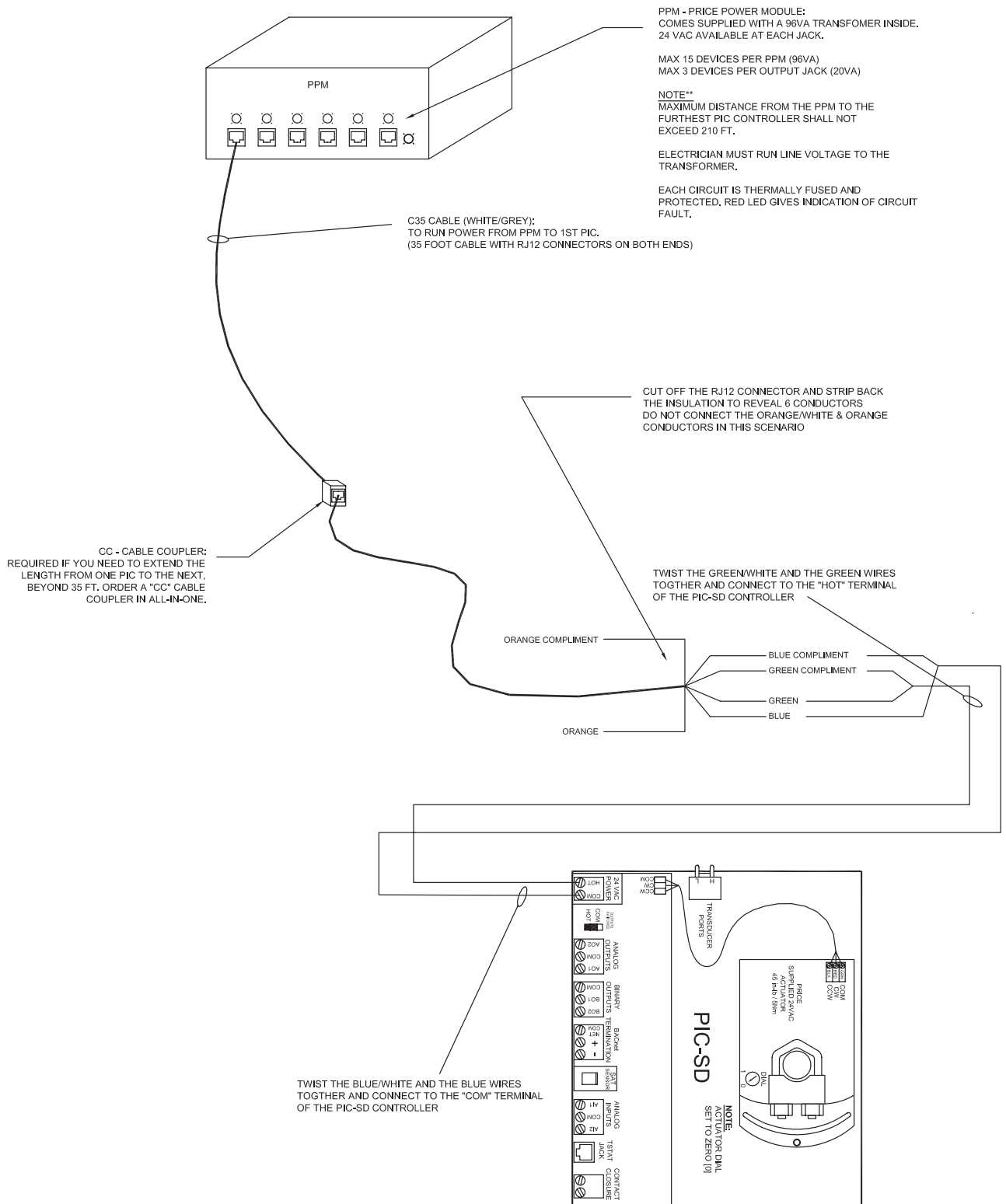
Rules for connecting to a PIC Controller



PPM – PRICE POWER MODULE

PRODUCT OVERVIEW

Rules for connecting to a PIC-SD Controller



PPM – PRICE POWER MODULE

PRODUCT OVERVIEW

Specifications and Limitations

Price Power Module	ETL Listed
Transformer	Class 2 - 120/240/277/480 VAC/96 VA 50/60 Hz
3-Pole Terminal Block	Rating for 40A @ 600 VAC, Wire Range AWG #8-22 Cu
Single Pole Toggle Switch	Rated for 120-277 VAC @ 15 Amps
Grounding Lug (Green)	#10-32X grounding screw
RJ12 Power Jacks	6 output jacks available c/w auto-reset thermal fuse with LED indication. Each jack can support up to 6 devices and up to a maximum distance 210 ft from the power module.

NOTE: Total connected load shall not exceed [15] devices:

- Each Prodigy Master/Drone draws approximately 3VA.
- Each PIC controller draws approximately 6VA.
- The above current draws are without any reheat device connected to the Prodigy or the PIC controller. Any reheat devices associated with these will increase the power draw.

This document contains the most current product information as of this printing.
For the most up-to-date product information, please go to priceindustries.com

© 2019 Price Industries Limited. All rights reserved.

PRICE[®]