

MANUAL – INSTALLATION

Air Volume Extractors

AE1/AE2

v100 – Issue Date: 04/09/15

© 2014 Price Industries Limited. All rights reserved.

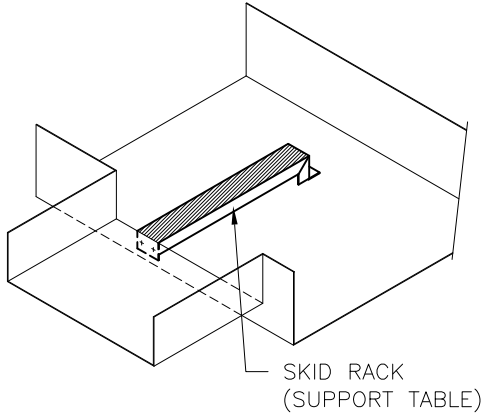
PRICE[®]

AIR VOLUME EXTRACTORS

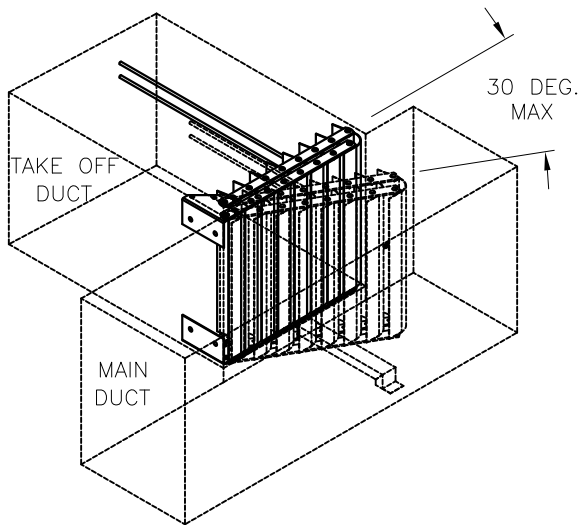
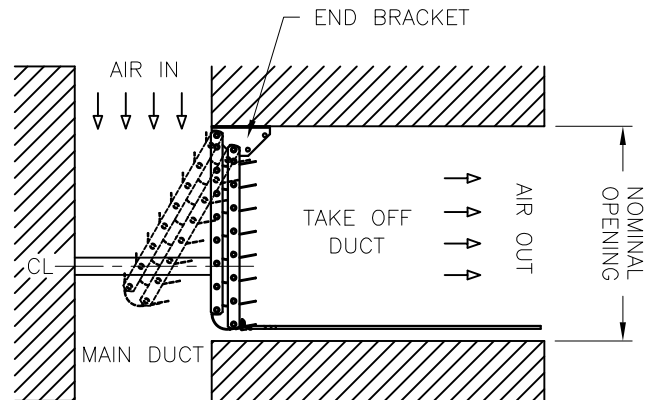
INSTALLATION INSTRUCTIONS

INSTALLING AIR VOLUME EXTRACTOR IN THE DUCT

1. FOR SIZES WHERE MOVEMENT BAR EXCEEDS 18" (457) AND AE DOES NOT REST ON DUCT FLOOR. INSTALL SKID RACK SUPPORT TABLE. THIS IS SUPPLIED BY SHEET METAL CONTRACTOR.

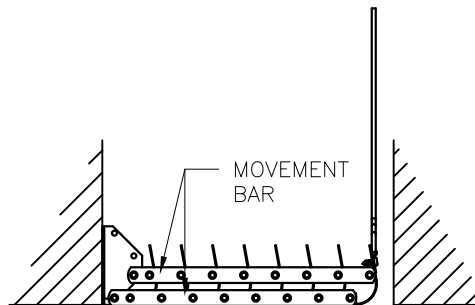


2. ATTACH END BRACKET TO TAKE OFF DUCT USING SCREWS.



3. ROTATE EXTRACTOR INTO DUCT BRANCH (MAIN DUCT) USING MOVEMENT BAR UNTIL DESIRED AIRFLOW IS REACHED (OPENING 30° MAX.).

4. SECURE OPERATOR TO LOCK EXTRACTOR IN PLACE. FOR TYPE 1 MANUAL OPERATOR, ATTACH OPERATOR LEVER TO DUCT.



INSTALLATION INSTRUCTION I100052
REVISION 0
NOVEMBER 2013

This document contains the most current product information as of this printing.
For the most up-to-date product information, please go to www.price-hvac.com.

© 2014 Price Industries Limited. All rights reserved.

price[®]