

MANUAL – INSTALLATION + SERVICE

Linear Enclosure Diffuser

DLE-H Series

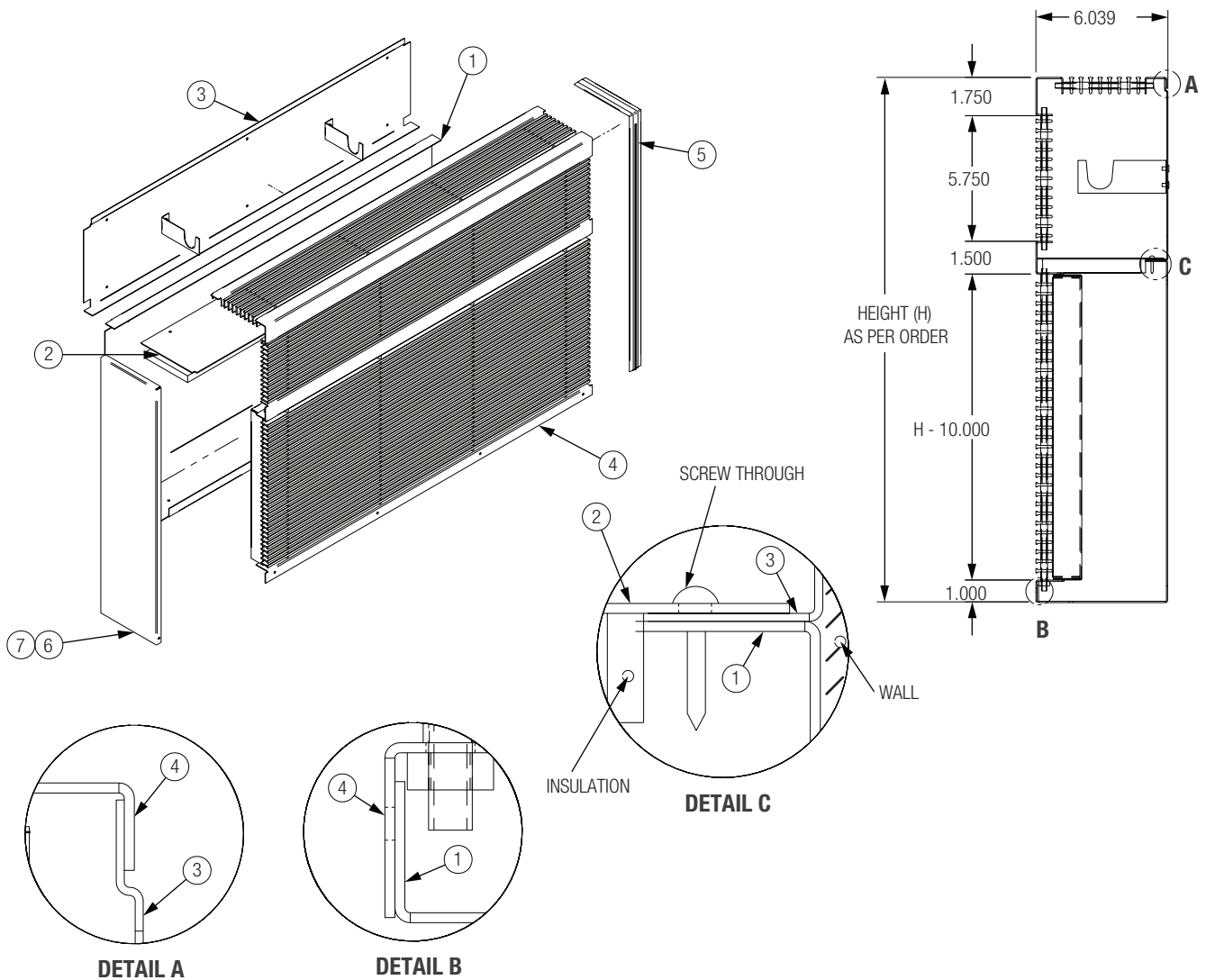
Revision #: 01 – Issue Date: 03/25/14

© 2014 Price Industries Limited. All rights reserved.

PRICE[®]

LINEAR ENCLOSURE DIFFUSER

INSTALLATION INSTRUCTIONS



1. Screw bottom rear plenum (Item 1) to floor and wall.
2. Place back plate (Item 3) on top of rear plenum and screw to wall. Place divider (Item 2), with insulation side down, on top of back plate and screw the three items together.
3. Heating element is installed at this point (Price supplied optional)
4. Fit front panel assembly to back panel ensuring back lip of front panel fits behind back plate (Detail A) and the front bottom angle sits flush with bottom rear plenum (Detail B). Screw front panel to bottom rear plenum. (Item 1)
5. Fit mullion (Item 5) onto required end of front panel (Item 4). Slide end cap (Item 6 or 7) into place where necessary.

NOTE: Fasteners (supplied by others) to be selected as appropriate for wall/floor construction type.

Item #	Description
1	Bottom Rear Plenum x 1
2	Divider x 1
3	Back plate x 1
4	Front Panel Assembly x 1
5	Mullion x 1
6	End Cap Left x 1
7	End Cap Right x 1

READ INSTRUCTIONS COMPLETELY BEFORE STARTING

This document contains the most current product information as of this printing.
For the most up-to-date product information, please go to priceindustries.com.

© 2014 Price Industries Limited. All rights reserved.

price®