

ACTIVE CHILLED BEAM MODULAR

OPTIONS:

- INLET LOCATION (SEE PAGE 2)
- INLET DAMPER (SEE PAGE 5)
- VOLUME FLOW REGULATOR (SEE PAGE 6)
- MOUNTING BRACKET (SEE PAGE 3 & 4)

NOZZLE SIZE:

- 101
- 201
- 301
- 401
- 501
- 601

COIL TYPE:

- 2P2C-NODV - 2 PIPE, 2 CIRCUIT
- 2P2C-DV - 2 PIPE, 2 CIRCUIT W/ DRAIN AND VENT
- 4C2C-NODV - 4 PIPE, 2 CIRCUIT
- 4P2C-DV - 4 PIPE, 2 CIRCUIT W/ DRAIN AND VENT

COIL CONNECTION:

- SWT - 1/2" SWEAT
- FNPT - 1/2" NPT - FEMALE
- MNPT - 1/2" NPT - MALE

COIL FINISH:

- NONE - UNPAINTED (DEFAULT)
- BLK - BLACK PAINTED COIL

INLET SIZE:

- 4 - 4" ROUND
- 5 - 5" ROUND
- 6 - 6" ROUND
- 8E - 8" EQUIVALENT OVAL (4"H X 10.125"W, AVAILABLE FOR SIDE ONLY)
- 8 - 8" ROUND (AVAILABLE FOR TOP ONLY)
- 10 - 10" ROUND (AVAILABLE FOR TOP ONLY)

FACE STYLE:

- P - PERFORATED (DEFAULT)
- G - GRILLE

INTERIOR AND PLENUM FINISH:

- GLV - UNPAINTED GALVANNEAL (DEFAULT)
- MATCH - MATCHES UNIT FINISH
- B17 - BLACK COLOR

INSULATION:

- NONE (DEFAULT)
- INT - INTERNAL 1/8" FIBERFREE
- EXT - EXTERNAL 1/2" FIBERFREE
- INEX - INTERNAL & EXTERNAL

PROTECTIVE FILM:

- NONE (DEFAULT)
- PF - PROTECTIVE FILM

FINISH:

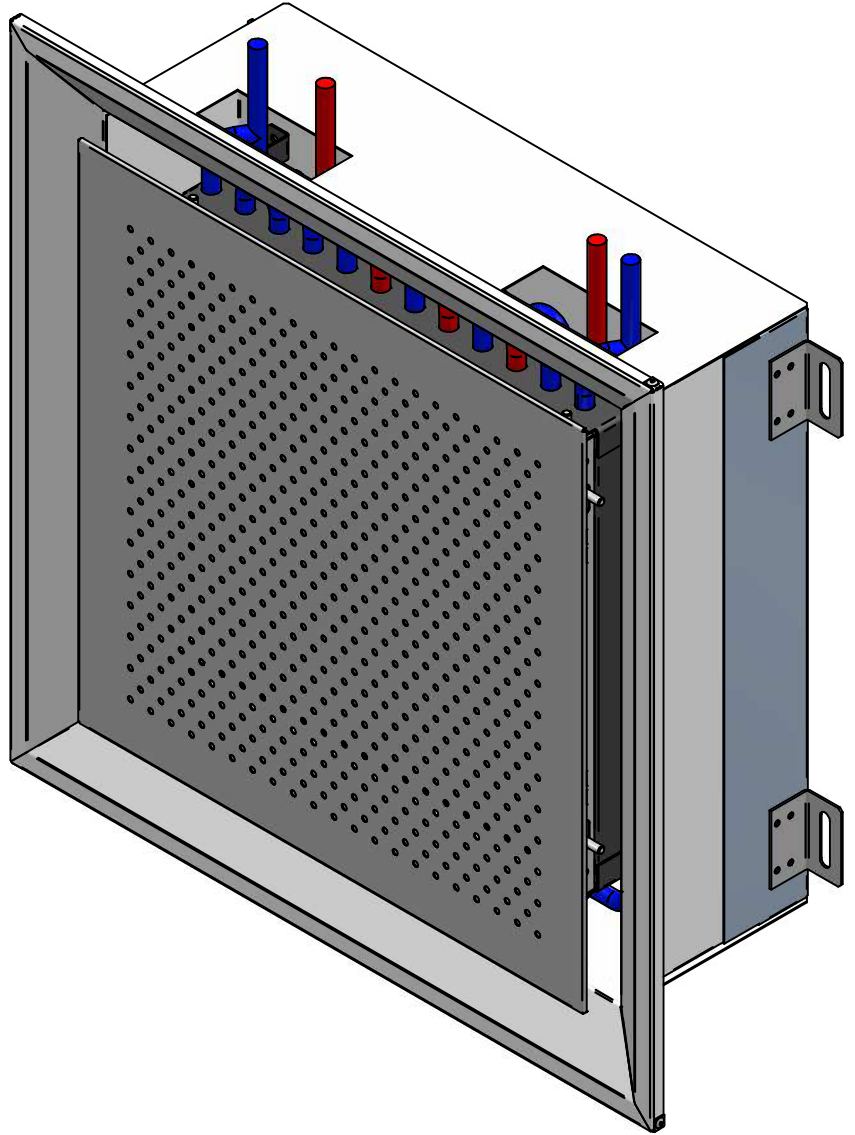
- B12 - STANDARD WHITE (DEFAULT)
- SPL - SPECIAL COLOR

ELEVATION

- SEA LEVEL
- HIGH ALTITUDE _____ FT

NOTES:

- STANDARD CONSTRUCTION: 20 GAUGE CASING CONSTRUCTION (STEEL)
- COIL HANDING IS FIXED
- FACTORY TOLERANCE +/- 1/32



NOMINAL LENGTH	ACTUAL LENGTH (L)	INLET LOCATION	INLET SIZE
24"	23 3/4"	TOP (T)	4, 5, 6, 8, 10
		SIDE (A/B)	4, 5, 6, 8E
48"	47 3/4"	TOP (T)	4, 5, 6, 8, 10
		SIDE (A/B)	4, 5, 6, 8E

PROJECT:

ENGINEER:

CUSTOMER:

SUBMITTAL DATE:

SPEC. SYMBOL:

DY

271260

2019/07/23

PRICE

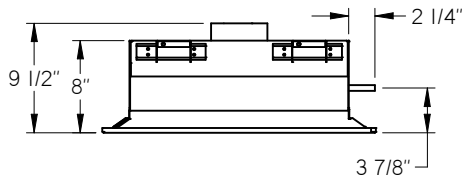
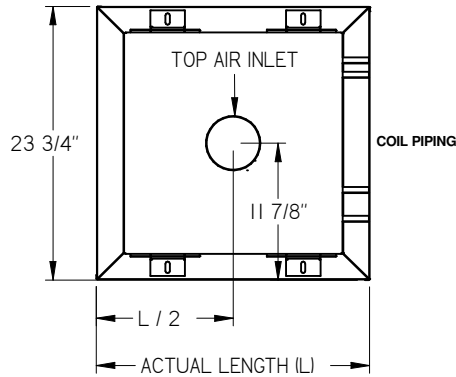
ACBM
ACTIVE CHILLED BEAM
MODULAR

ACTIVE CHILLED BEAM MODULAR

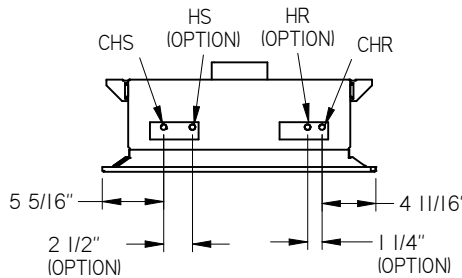
INLET LOCATION:

- T - TOP
- A - SIDE A
- B - SIDE B

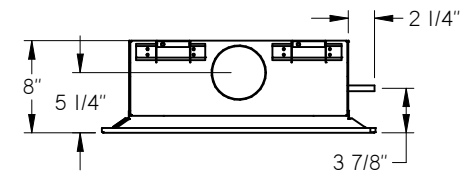
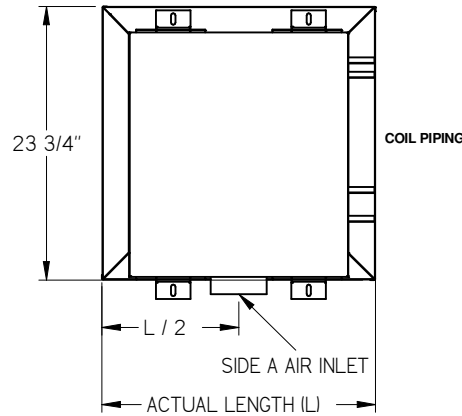
TOP INLET



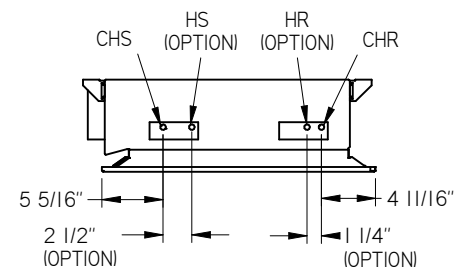
COIL PIPING SIDE VIEW



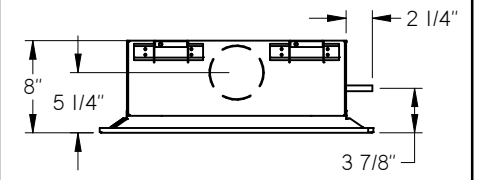
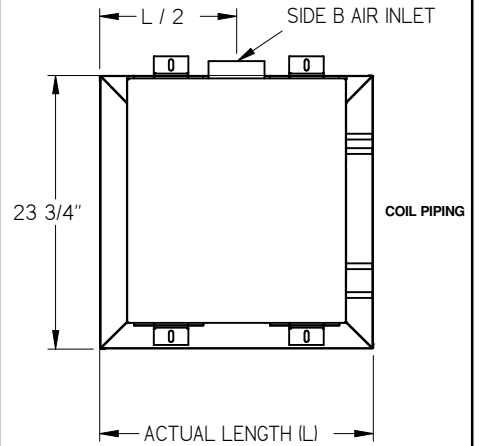
SIDE A INLET



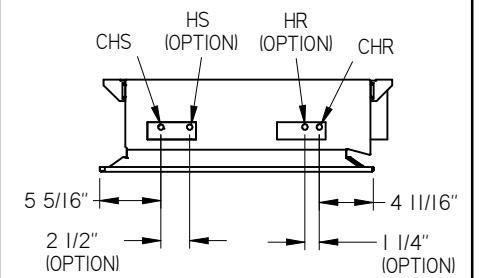
COIL PIPING SIDE VIEW



SIDE B INLET



COIL PIPING SIDE VIEW



PROJECT:

ENGINEER:

CUSTOMER:

SUBMITTAL DATE:

SPEC. SYMBOL:



DY

271260

2019/07/23

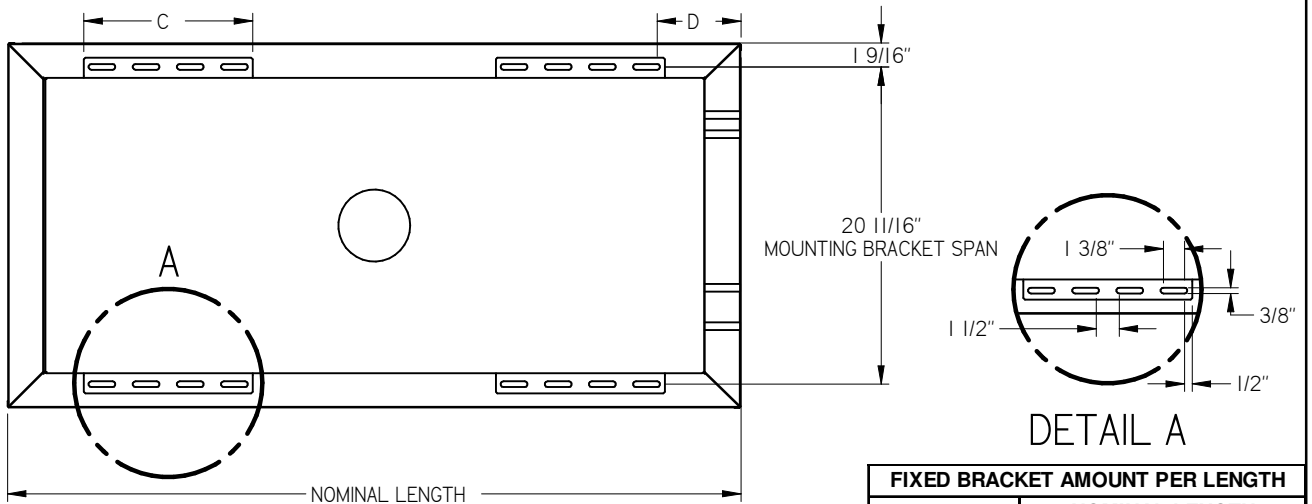
ACBM
ACTIVE CHILLED BEAM
MODULAR

ACTIVE CHILLED BEAM MODULAR

MOUNTING BRACKET:

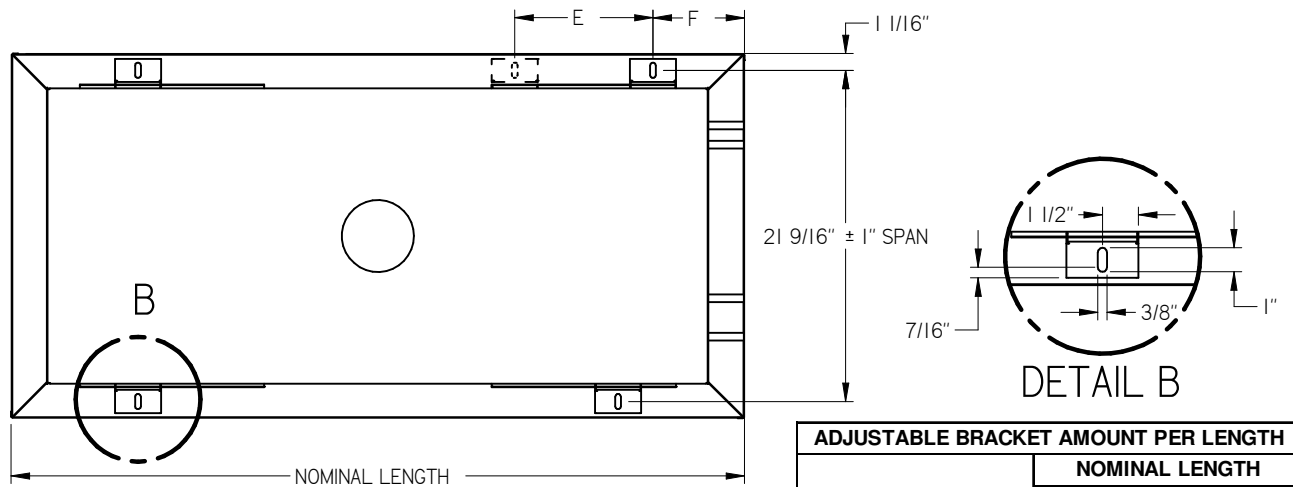
- FIX - FIXED BRACKET (DEFAULT)
- DIN - ADJUSTABLE BRACKET

**FIXED MOUNTING BRACKET SHOWN
TOP INLET**



FIXED BRACKET AMOUNT PER LENGTH		
	NOMINAL LENGTH	
	24"	48"
QTY	4	4
BRACKET LENGTH (C)	2 1/2"	11"
LENGTH (D)	4"	5 7/16"

**ADJUSTABLE MOUNTING BRACKET SHOWN
TOP INLET**



ADJUSTABLE BRACKET AMOUNT PER LENGTH		
	NOMINAL LENGTH	
	24"	48"
QTY	4	4
BRACKET TRAVEL LENGTH (E)	3"	9"
LENGTH (F)	4 7/16"	5 15/16"

PROJECT:

ENGINEER:

CUSTOMER:

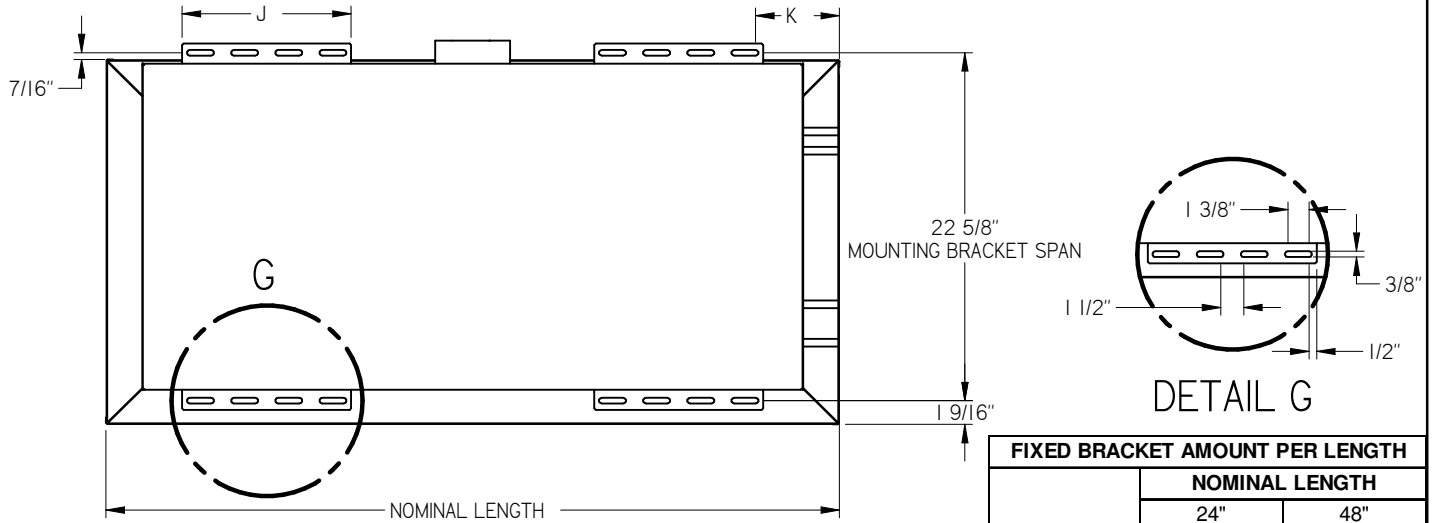
SUBMITTAL DATE:

SPEC. SYMBOL:

PRICE	
DY	ACBM
271260	ACTIVE CHILLED BEAM MODULAR
2019/07/23	

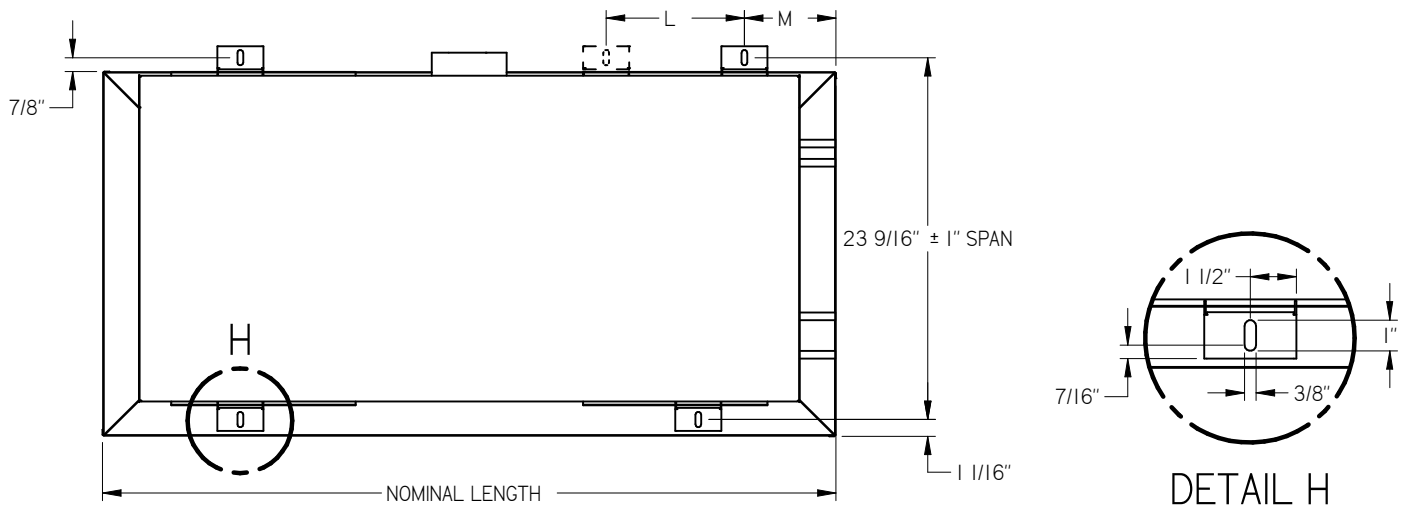
ACTIVE CHILLED BEAM MODULAR

**FIXED MOUNTING BRACKET SHOWN
A/B SIDE INLET**



	FIXED BRACKET AMOUNT PER LENGTH	
	NOMINAL LENGTH	
	24"	48"
QTY	4	4
BRACKET LENGTH (J)	2 1/2"	11"
LENGTH (K)	4"	5 7/16"

**ADJUSTABLE MOUNTING BRACKET
A/B SIDE INLET**



	ADJUSTABLE BRACKET AMOUNT PER LENGTH	
	NOMINAL LENGTH	
	24"	48"
QTY	4	4
BRACKET TRAVEL LENGTH (L)	3"	9"
LENGTH (M)	4 7/16"	5 15/16"

PROJECT:

ENGINEER:

CUSTOMER:

SUBMITTAL DATE:

SPEC. SYMBOL:



DY

271260

2019/07/23

**ACBM
ACTIVE CHILLED BEAM
MODULAR**

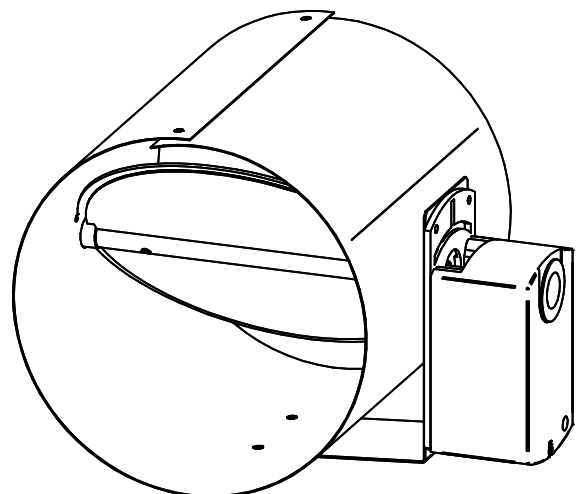
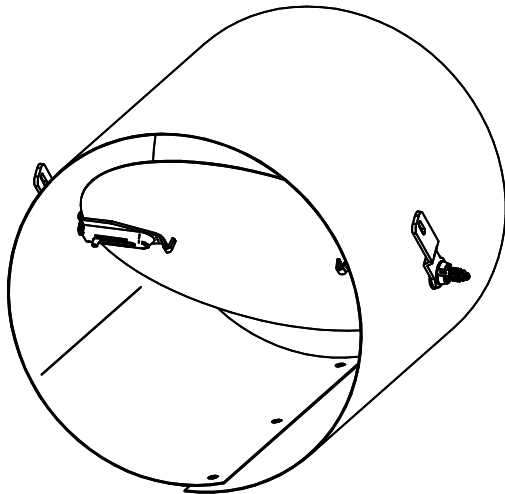
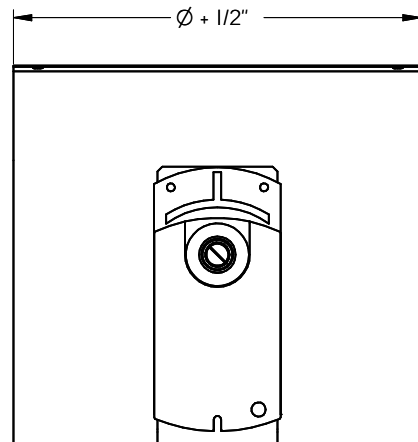
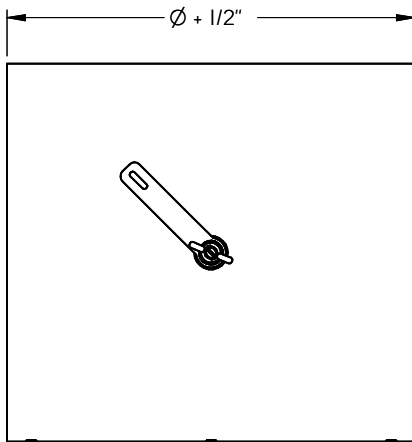
ACTIVE CHILLED BEAM MODULAR

DAMPER OPTIONS (SHIPPED LOOSE):

(DAMPERS SHOULD NOT BE MOUNTED DIRECTLY TO THE INLET AND SHOULD ONLY BE USED FOR TRIMMING AIRFLOW)

- NONE (DEFAULT)
- MQ4 - 4" DAMPER W/
MANUAL LOCKING QUADRANT
- MQ5 - 5" DAMPER W/
MANUAL LOCKING QUADRANT
- MQ6 - 6" DAMPER W/
MANUAL LOCKING QUADRANT
- MQ8 - 8" DAMPER W/
MANUAL LOCKING QUADRANT

- VAV4 - 4" DAMPER W/ 24VAC
FLOATING POINT ACTUATOR
- VAV5 - 5" DAMPER W/ 24VAC
FLOATING POINT ACTUATOR
- VAV6 - 6" DAMPER W/ 24VAC
FLOATING POINT ACTUATOR
- VAV8 - 8" DAMPER W/ 24VAC
FLOATING POINT ACTUATOR



PROJECT:



ENGINEER:

DY

CUSTOMER:

271260

ACBM
ACTIVE CHILLED BEAM
MODULAR

SUBMITTAL DATE:

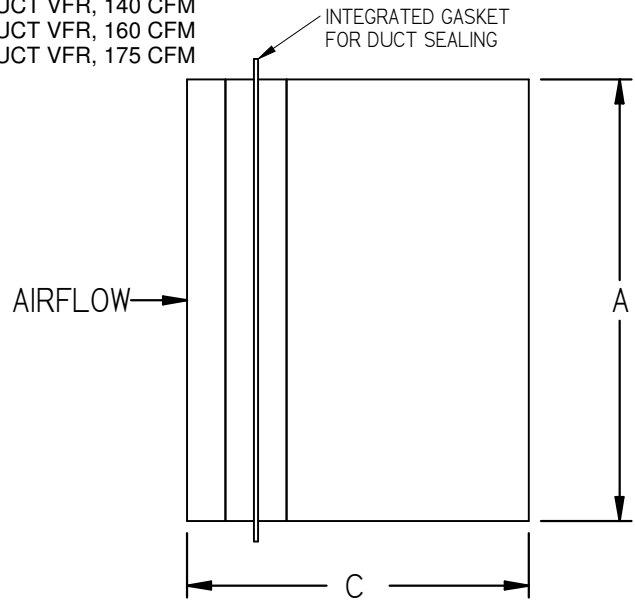
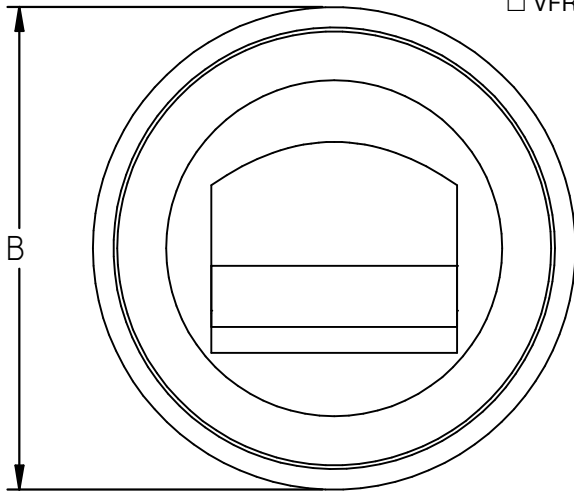
SPEC. SYMBOL:

2019/07/23

ACTIVE CHILLED BEAM MODULAR

VOLUME FLOW REGULATOR OPTIONS (SHIPPED LOOSE):

- | | | |
|--|--|--|
| <input type="checkbox"/> NONE (DEFAULT) | <input type="checkbox"/> VFR5-35 - 5" DUCT VFR, 35 CFM | <input type="checkbox"/> VFR8-125 - 8" DUCT VFR, 125 CFM |
| <input type="checkbox"/> VFR4-10 - 4" DUCT VFR, 10 CFM | <input type="checkbox"/> VFR5-50 - 5" DUCT VFR, 50 CFM | <input type="checkbox"/> VFR8-140 - 8" DUCT VFR, 140 CFM |
| <input type="checkbox"/> VFR4-20 - 4" DUCT VFR, 20 CFM | <input type="checkbox"/> VFR5-60 - 5" DUCT VFR, 60 CFM | <input type="checkbox"/> VFR8-160 - 8" DUCT VFR, 160 CFM |
| <input type="checkbox"/> VFR4-25 - 4" DUCT VFR, 25 CFM | <input type="checkbox"/> VFR5-75 - 5" DUCT VFR, 75 CFM | <input type="checkbox"/> VFR8-175 - 8" DUCT VFR, 175 CFM |
| <input type="checkbox"/> VFR4-30 - 4" DUCT VFR, 30 CFM | <input type="checkbox"/> VFR5-90 - 5" DUCT VFR, 90 CFM | <input type="checkbox"/> VFR8-205 - 8" DUCT VFR, 205 CFM |
| <input type="checkbox"/> VFR4-35 - 4" DUCT VFR, 35 CFM | <input type="checkbox"/> VFR5-105 - 5" DUCT VFR, 105 CFM | <input type="checkbox"/> VFR8-235 - 8" DUCT VFR, 235 CFM |
| <input type="checkbox"/> VFR4-45 - 4" DUCT VFR, 45 CFM | <input type="checkbox"/> VFR6-75 - 6" DUCT VFR, 75 CFM | <input type="checkbox"/> VFR8-265 - 8" DUCT VFR, 265 CFM |
| <input type="checkbox"/> VFR4-50 - 4" DUCT VFR, 50 CFM | <input type="checkbox"/> VFR6-90 - 6" DUCT VFR, 90 CFM | <input type="checkbox"/> VFR8-295 - 8" DUCT VFR, 295 CFM |
| <input type="checkbox"/> VFR4-60 - 4" DUCT VFR, 60 CFM | <input type="checkbox"/> VFR6-105 - 6" DUCT VFR, 105 CFM | |
| | <input type="checkbox"/> VFR6-125 - 6" DUCT VFR, 125 CFM | |
| | <input type="checkbox"/> VFR6-140 - 6" DUCT VFR, 140 CFM | |
| | <input type="checkbox"/> VFR6-160 - 6" DUCT VFR, 160 CFM | |
| | <input type="checkbox"/> VFR6-175 - 6" DUCT VFR, 175 CFM | |



Duct Size	A	B	C	AIRFLOW SELECTIONS (CFM)
4" (100)	3.800	4.100	2.300	10, 20, 25, 30, 35, 45, 50, 60
5" (125)	4.800	5.100	3.500	35, 50, 60, 75, 90, 105
6" (150)	5.800	6.100	3.500	75, 90, 105, 125, 140, 160, 175
8" (200)	7.600	8.100	3.500	125, 140, 160, 175, 205, 235, 265, 295

STANDARD CONSTRUCTION:

- BLACK ABS PLASTIC, UL94V-0 RATED
- UL2043 LISTED
- SIZED TO FIT INSIDE STANDARD RIGID ROUND DUCTING
- INTEGRATED GASKET FOR SEALING AGAINST INSIDE OF DUCT

PERFORMANCE:

- CONTROLS AIRFLOW WITHIN 10% OF RATED FLOW (15% FOR UNITS 50CFM OR LESS) FOR 0.2" TO 0.8" W.C.

PROJECT:		PRICE	ACBM ACTIVE CHILLED BEAM MODULAR
ENGINEER:			
CUSTOMER:		271260	
SUBMITTAL DATE:	SPEC. SYMBOL:	2019/07/23	