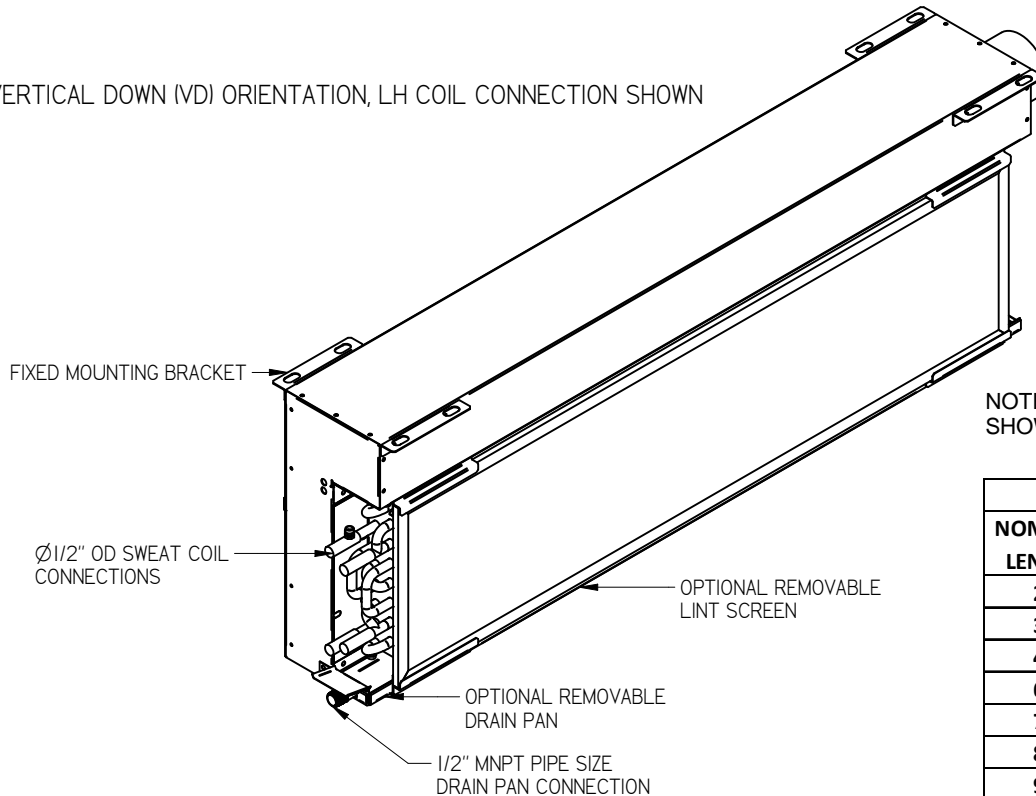


**ACBR - ACTIVE CHILLED BEAM RECESSED**

VERTICAL DOWN (VD) ORIENTATION, LH COIL CONNECTION SHOWN



NOTE: DETAILED DIMENSIONS SHOWN ON PAGE 2, 3, AND 4.

UNIT WEIGHT		
NOMINAL LENGTH	DRY (LBS)	WET (LBS)
24	36	38
36	53	57
48	69	74
60	86	92
72	102	109
84	119	127
96	135	144

**STANDARD CONSTRUCTION:**

- ALL METAL ASSEMBLY
- ALUMINUM FINNS
- COPPER WATER PIPING
- 20 GAUGE STEEL CONSTRUCTION

**ELEVATION:**

- SEA LEVEL
- HIGH ALTITUDE \_\_\_\_\_ FT

**FINISH:**

- UNPAINTED GALVANNEAL (STANDARD)
- SPECIAL COLOR

**INSULATION:**

- 1/2" FIBERFREE - INTERNAL
- 1/2" FIBERFREE - EXTERNAL
- INTERNAL & EXTERNAL

**INLET SIZE:**

- 3" ROUND
- 4" ROUND
- 5" OVAL EQUIV. (4"X6")
- 6" OVAL EQUIV. (4"X7")
- \* 5", 6" INLET ONLY AVAILABLE IN C/D/E INLET LOCATIONS

**DRAIN PAN:**

- DRAIN PAN
- \* DRAIN PAN ONLY AVAILABLE FOR VD, VU ORIENTATION

**LINT SCREEN:**

- LINT SCREEN

**PIPING CONNECTION:**

- 1/2" SWEAT
- 1/2" NPT - MALE
- 1/2" NPT - FEMALE

**COIL TYPE:**

- 2P1C = 2 PIPE, 1 CIRCUIT
- 2P2C = 2 PIPE, 2 CIRCUIT
- 4P1C = 4 PIPE, 1 CIRCUIT
- 4P2C = 4 PIPE, 2 CIRCUIT

- DV = DRAIN AND VENT

**NOZZLE SIZE:**

- 406       605
- 506       603
- 608       601

**PROTECTIVE FILM:**

- PF - PROTECTIVE FILM ON WATERCOIL, INLET, AND OUTLET

**NOTES:**

- FACTORY TOLERANCE +/- 1/32"

\*\* SEE SUBMITTAL 248924 FOR AVAILABLE HOSE AND VALVE PACKAGES.

\*\* SEE PRICE CATALOG SECTIONS A AND D FOR SUPPLY / INDUCTION DIFFUSERS & GRILLES, TRANSITIONS TO BE FIELD FABRICATED & INSTALLED BY OTHERS.

PROJECT:

ENGINEER:

CUSTOMER:

SUBMITTAL DATE:

SPEC. SYMBOL:



**KHH**

268015

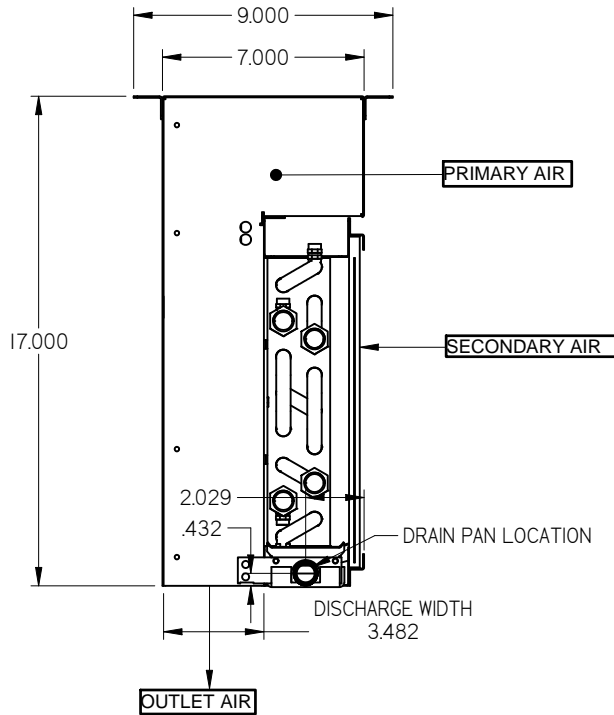
2017/05/9

**ACBR  
ACTIVE CHILLED BEAM  
RECESSED**

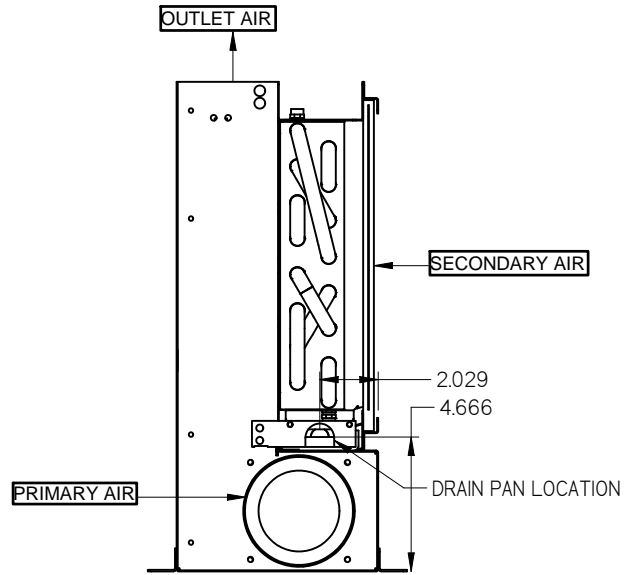
ACBR - ACTIVE CHILLED BEAM RECESSED

**INSTALLATION ORIENTATION:**

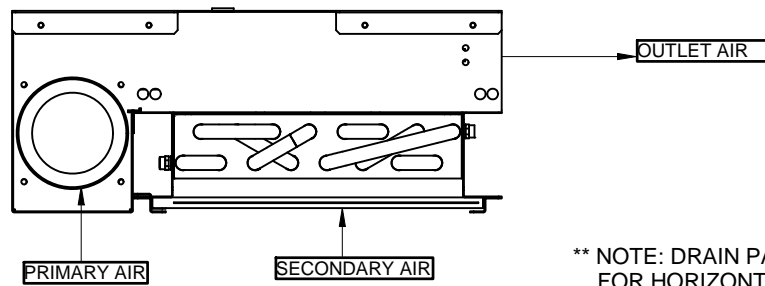
- VD = VERTICAL DOWN
- VU = VERTICAL UP
- H = HORIZONTAL



VD (VERTICAL DOWN)  
ORIENTATION



VU (VERTICAL UP)  
ORIENTATION



H (HORIZONTAL)  
ORIENTATION

\*\* NOTE: DRAIN PAN NOT AVAILABLE FOR HORIZONTAL ORIENTATION.

PROJECT:



ENGINEER:

**KHH**

CUSTOMER:

268015

SUBMITTAL DATE:

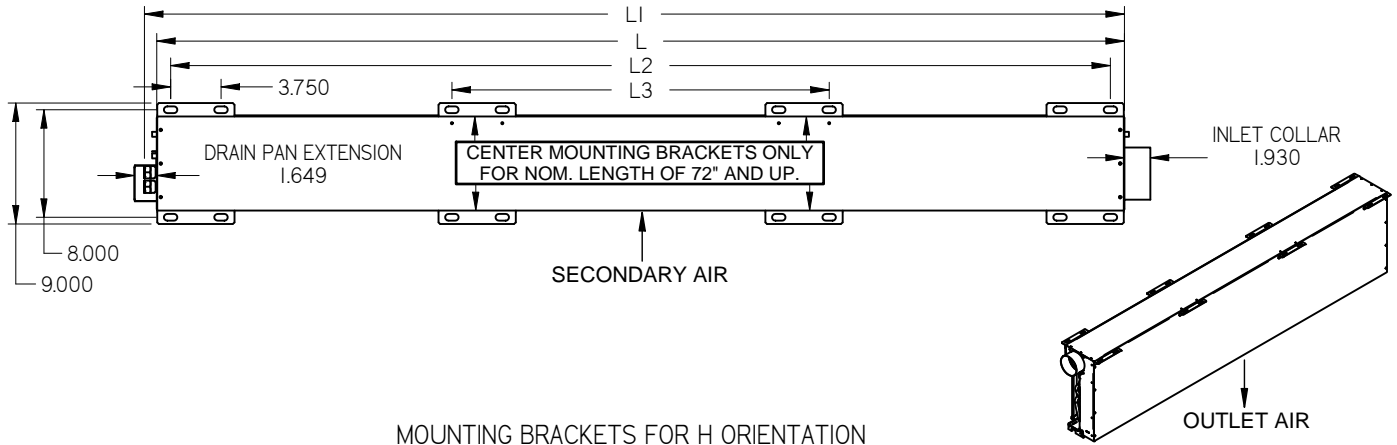
SPEC. SYMBOL:

2017/05/9

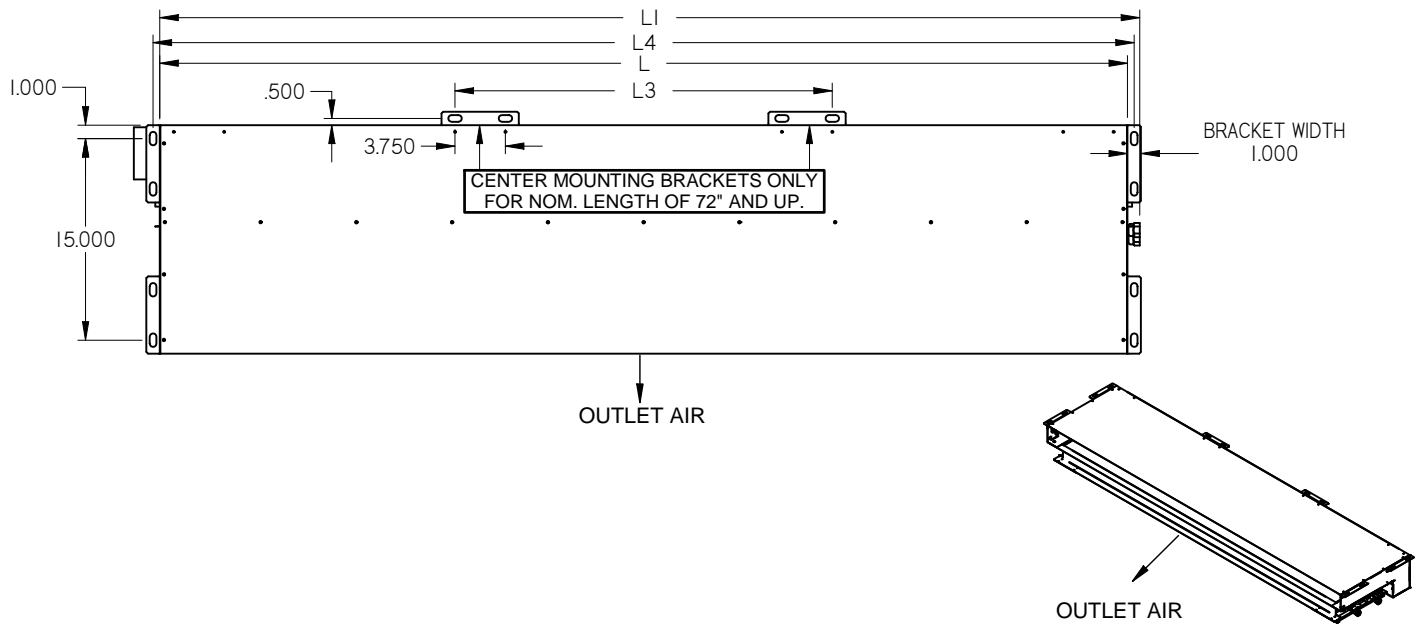
**ACBR  
ACTIVE CHILLED BEAM  
RECESSED**

**ACBR - ACTIVE CHILLED BEAM RECESSED**

MOUNTING BRACKETS FOR VD AND VU ORIENTATIONS



MOUNTING BRACKETS FOR H ORIENTATION



DIMENSIONS					
NOMINAL LENGTH	UNIT SIZE (L)	OVERALL LENGTH (L1)	VD, VU MOUNTING LENGTH (L2)	SUPPORT MOUNTING LENGTH (L3)	H MOUNTING LENGTH (L4)
24	24.000	24.906	21.924	14.357	25.000
36	36.000	36.906	33.924	17.786	37.000
48	48.000	48.906	45.924	21.214	49.000
60	60.000	60.906	57.924	24.643	61.000
72	72.000	72.906	69.924	28.071	73.000
84	84.000	84.906	81.924	31.500	85.000
96	96.000	96.906	93.924	34.929	97.000

PROJECT:

ENGINEER:

CUSTOMER:

SUBMITTAL DATE:

SPEC. SYMBOL:



**KHH**

268015

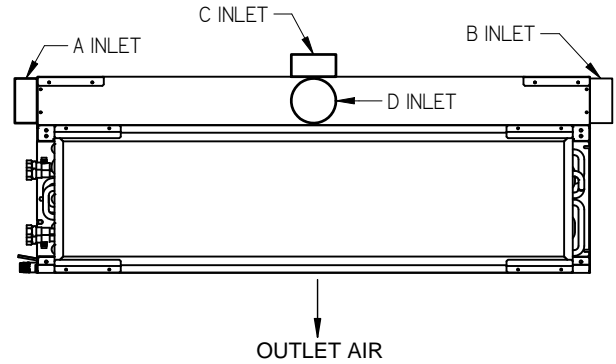
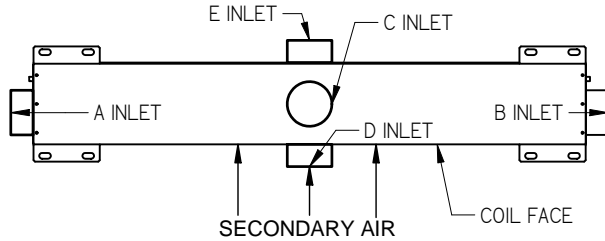
2017/05/9

**ACBR  
ACTIVE CHILLED BEAM  
RECESSED**

ACBR - ACTIVE CHILLED BEAM RECESSED

**INLET LOCATION OPTIONS:**

- A - SIDE A       D - SIDE D
- B - SIDE B       E - SIDE E
- C - SIDE C

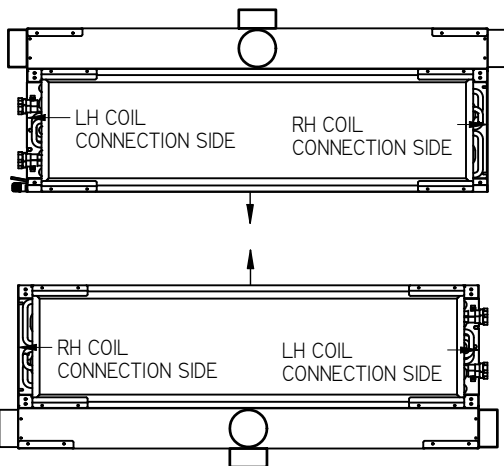


**COIL CONNECTION LOCATION OPTIONS:**

- LEFT HAND (LH)
- RIGHT HAND (RH)

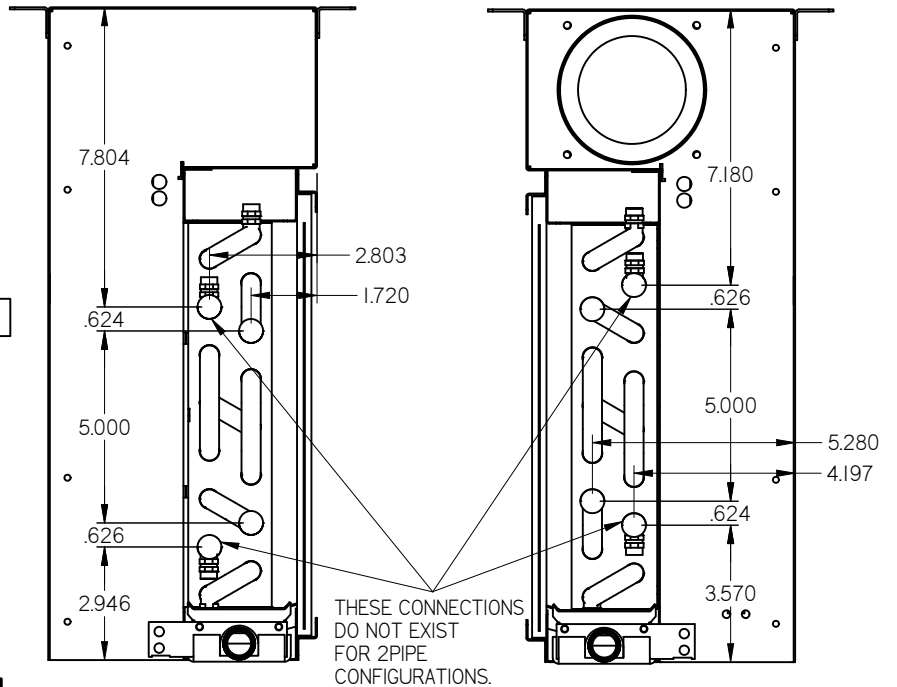
\* HAND CONFIGURATION IS DETERMINED BY VIEWING THE UNIT LOOKING TOWARDS WATER COIL WITH THE OUTLET AIR DIRECTED DOWNWARDS.

\*COIL CONNECTION AND DRAIN PAN CONNECTION ARE ALWAYS ON THE SAME SIDE.



LH WATERCOIL CONNECTION DIMENSIONS

RH WATERCOIL CONNECTION DIMENSIONS



COLD PIPE CONNECTION DIMENSIONS ARE CONSISTENT THROUGHOUT ALL COIL TYPES.

PROJECT:

ENGINEER:

CUSTOMER:

SUBMITTAL DATE:

SPEC. SYMBOL:



**KHH**

268015

2017/05/9

**ACBR  
ACTIVE CHILLED BEAM  
RECESSED**

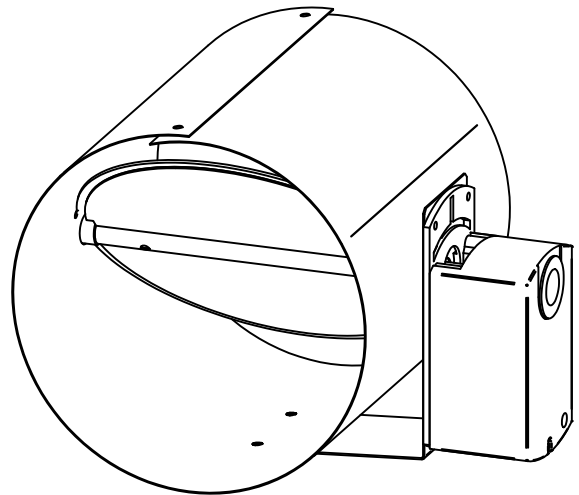
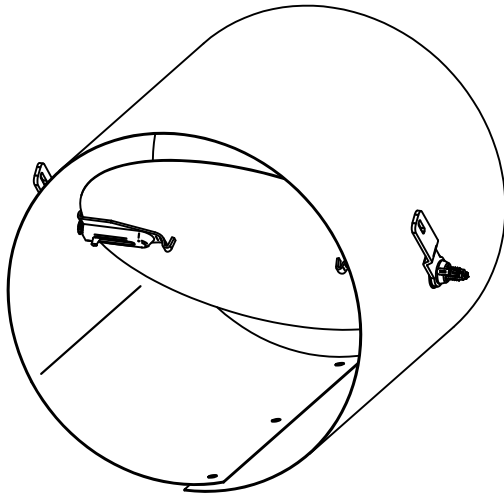
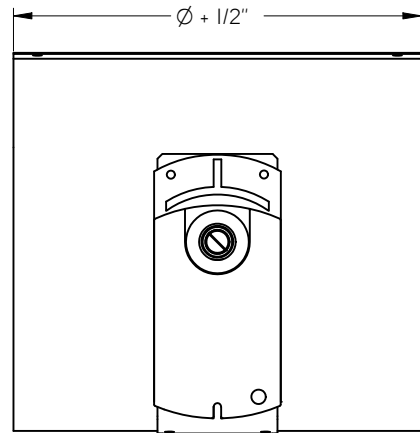
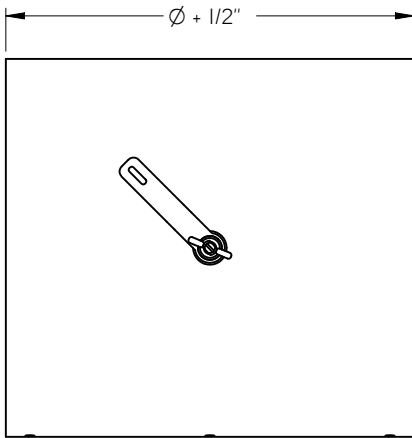
ACBR - ACTIVE CHILLED BEAM RECESSED

**DAMPER OPTIONS (SHIPPED LOOSE):**

(DAMPERS SHOULD NOT BE MOUNTED DIRECTLY TO THE INLET AND SHOULD ONLY BE USED FOR TRIMMING AIRFLOW)

- MQ4 - 4" DAMPER W/ MANUAL LOCKING QUADRANT
- MQ5 - 5" DAMPER W/ MANUAL LOCKING QUADRANT
- MQ6 - 6" DAMPER W/ MANUAL LOCKING QUADRANT

- VAV4 - 4" DAMPER W/ 24VAC FLOATING POINT ACTUATOR
- VAV5 - 5" DAMPER W/ 24VAC FLOATING POINT ACTUATOR
- VAV6 - 6" DAMPER W/ 24VAC FLOATING POINT ACTUATOR



\*SEE SUBMITTAL 255245 FOR AVAILABLE FIXED VOLUME FLOW REGULATORS

PROJECT:



ENGINEER:

**KHH**

**ACBR  
ACTIVE CHILLED BEAM  
RECESSED**

CUSTOMER:

268015

SUBMITTAL DATE:

SPEC. SYMBOL:

2017/05/9