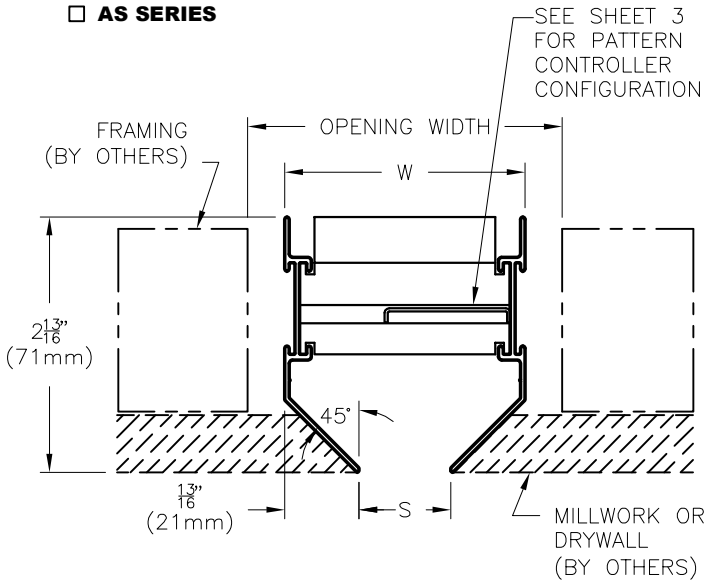
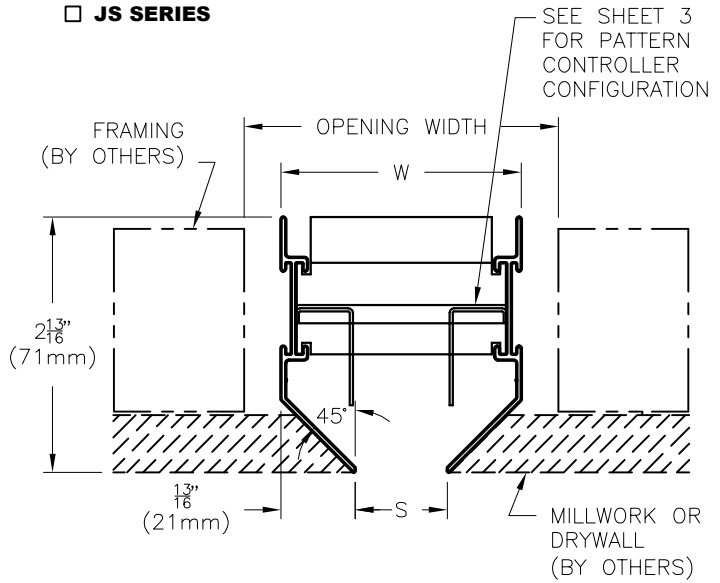


**CUSTOM FLOW - BORDER TYPE 41
BEVELLED FRAME APPLICATION**

AS SERIES



JS SERIES



S	W	OPENING WIDTH
1" (25mm)	2 5/8" (67mm)	3 7/16" (87mm)
1 1/2" (38mm)	3 1/8" (79mm)	3 15/16" (100mm)
2" (51mm)	3 5/8" (92mm)	4 7/16" (113mm)
2 1/2" (64mm)	4 1/8" (105mm)	4 15/16" (125mm)
3" (76mm)	4 5/8" (117mm)	5 7/16" (138mm)

FINISH:

- PATTERN CONTROLLERS – B17 BLACK
- INTERIOR SURFACES:
 - UPPER FRAME TO MATCH DIFFUSER FACE FINISH
 - BFR – B17 BLACK UPPER FRAME STACK (AS ONLY)
- DIFFUSER FACE – MILL FINISH
- Z ENDCAPS – B17 BLACK

NOTE:

- MINIMUM LENGTH 12" (305mm)
- MAXIMUM SECTION LENGTH 120" (3048mm)
- MAY BE USED WITH CFP TYPE 41 PLENUM
- SEE INSTALLATION INSTRUCTION I100036

PATTERN CONTROLLERS:

- DPC – DUAL LAYER PATTERN CONTROLLER, SEE PAGE 2 (PATTERN AND VOLUME ADJUSTABLE)

MATERIAL:

- EXTRUDED ALUMINUM FRAME & SPACERS
- PATTERN CONTROLLERS ARE HEAVY GAUGE STEEL
- Z ENDCAPS – STEEL

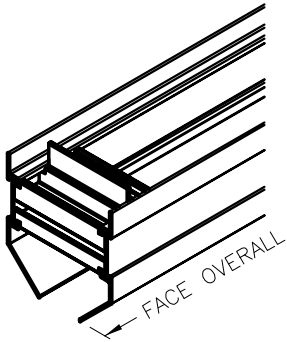
ALL METRIC DIMENSIONS () ARE SOFT CONVERTED. IMPERIAL DIMENSIONS ARE CONVERTED TO METRIC AND ROUNDED TO THE NEAREST MILLIMETER.

PROJECT:		PRICE®	
ENGINEER:		<i>MG</i>	CF CUSTOM FLOW LINEAR DIFFUSER BORDER TYPE 41
CUSTOMER:		239254	
SUBMITTAL DATE:	SPEC. SYMBOL:	2022/04/19	

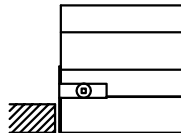
**CUSTOM FLOW - BORDER TYPE 41
BEVELLED FRAME APPLICATION**

END CONDITIONS:

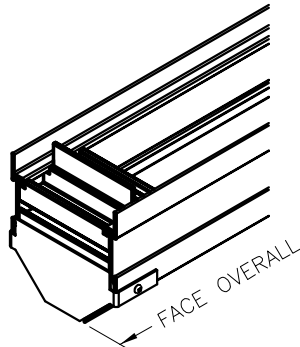
- Y - OPEN END**
FOR SPLICING TOGETHER
MULTIPLE SECTIONS



- Z - FLUSH END CAP**



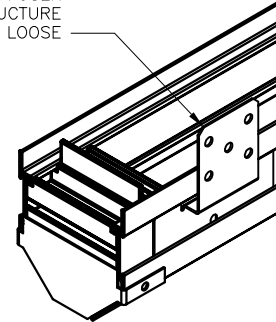
← OPENING LENGTH



MOUNTING OPTIONS:

- TYPE 41 - MP**
MOUNTING PLATES

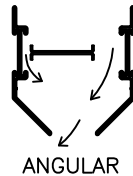
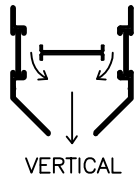
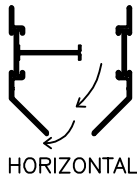
MOUNTING PLATES
MAY BE USED TO
SUSPEND DIFFUSER
FROM STRUCTURE
SUPPLIED LOOSE



END CONDITION	FACE LENGTH	CEILING OPENING LENGTH
Y-Y	NOMINAL LENGTH	NOMINAL LENGTH + 1/8" (3mm)
Y-Z	NOMINAL LENGTH + 1/16" (2mm)	NOMINAL LENGTH + 3/16" (5mm)
Z-Z	NOMINAL LENGTH + 1/8" (3mm)	NOMINAL LENGTH + 1/4" (6mm)

PATTERN CONTROLLER ADJUSTMENTS:

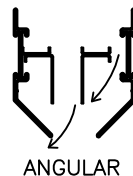
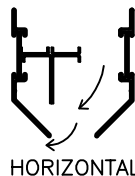
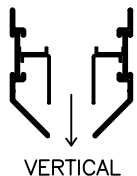
- AS SERIES - DPC - DUAL LAYER PATTERN CONTROLLERS (PATTERN AND VOLUME ADJUSTMENT)**



DPC - VOLUME ADJUSTMENTS:

- FULLY OPEN:
- PARTIALLY DAMPERED
- SHUTOFF

- JS SERIES - DPC - DUAL LAYER PATTERN CONTROLLERS (PATTERN AND VOLUME ADJUSTMENT)**



DPC - VOLUME ADJUSTMENTS:

- FULLY OPEN:
- PARTIALLY DAMPERED
- SHUTOFF

ALL METRIC DIMENSIONS () ARE SOFT CONVERTED. IMPERIAL DIMENSIONS ARE CONVERTED TO METRIC AND ROUNDED TO THE NEAREST MILLIMETER.

PROJECT:		PRICE®	
ENGINEER:		<i>MJ</i>	CF CUSTOM FLOW LINEAR DIFFUSER BORDER TYPE 41
CUSTOMER:			
SUBMITTAL DATE:	SPEC. SYMBOL:	2022/04/19	