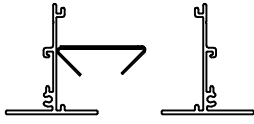
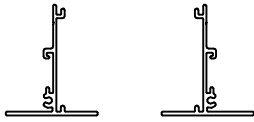


CF4 - CUSTOM FLOW 4-WAY DIFFUSER

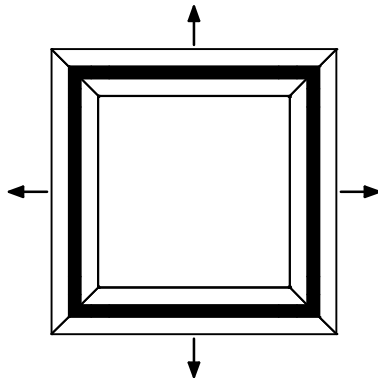
TYPE:



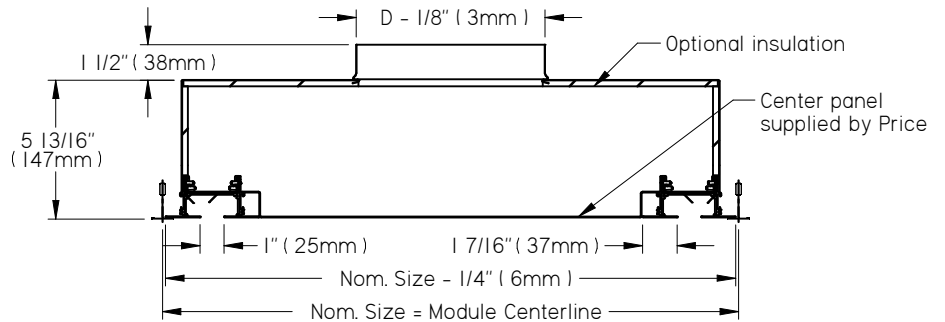
AS - Adjusta Slot supply unit



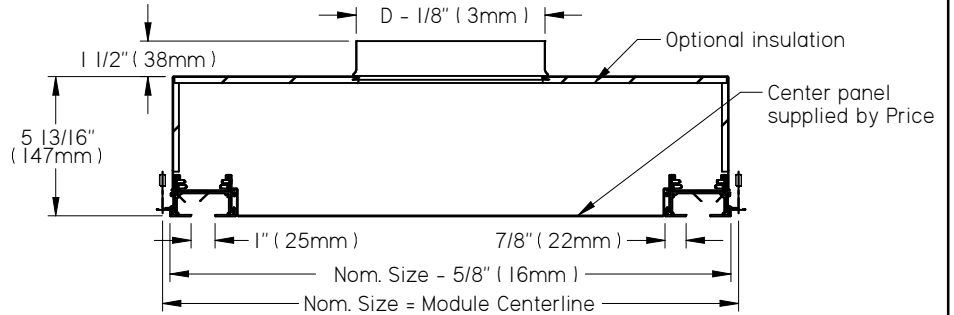
RT - Return unit



FRAME STYLE:



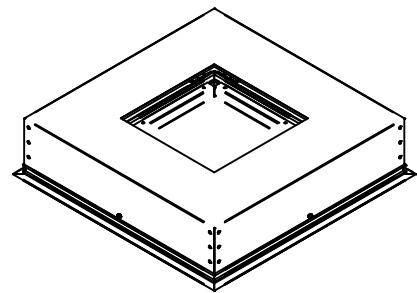
EF - Exposed Frame for 15/16" Flat Tee



TG916 - 9/16" Bolt Slot or Tegular

DIFFUSER & INLET SIZE:

Module Size	Nominal Inlet (D)					
	4" (102mm)	5" (127mm)	6" (152mm)	8" (203mm)	10" (254mm)	12" (305mm)
<input type="checkbox"/> 24" x 12"	•	•	•			
<input type="checkbox"/> 24" x 24"			•	•	•	
<input type="checkbox"/> 30" x 30"				•	•	•
<input type="checkbox"/> 48" x 24"				•	•	•
<input type="checkbox"/> 600mm x 300mm	•	•	•			
<input type="checkbox"/> 600mm x 600mm			•	•	•	
<input type="checkbox"/> 750mm x 750mm				•	•	•
<input type="checkbox"/> 1200mm x 600mm				•	•	•



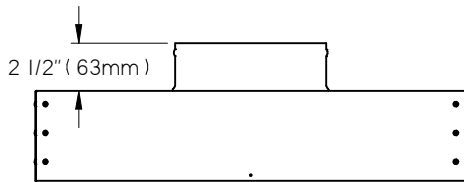
NO-INLET - Non-ducted return baffle/light shield
• Only available with RT

ALL METRIC DIMENSIONS () ARE SOFT CONVERTED. IMPERIAL DIMENSIONS ARE CONVERTED TO METRIC AND ROUNDED TO THE NEAREST MILLIMETER.

PROJECT:		PRICE
ENGINEER:		
CUSTOMER:		<i>MG</i>
SUBMITTAL DATE:		270577
SPEC. SYMBOL:		2021/07/14
		CF4 CUSTOM FLOW 4-WAY DIFFUSER

CF4 - CUSTOM FLOW 4-WAY DIFFUSER

OPTIONAL NECK:



BN - Beaded Extended Neck

OPTIONAL INSULATION:

- FF - Fiber-Free Foam Insulation
- CF - Coated Fiberglass Insulation

NOTES:

- For use with standard T-bar ceilings as well as Armstrong DESIGNFLEX square and rectangular pattern ceilings
- Flow from each side may be closed off or redirected by adjusting pattern controllers
- 12" and 300mm nominal sides are blanked off
- Corner sections are blanked off
- Return units supplied without pattern controllers
- Factory tolerance +/- 1/32" (1mm)

FINISH:

- Diffuser face and center panel:

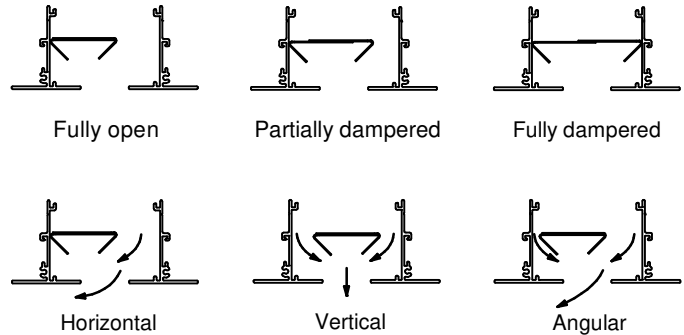
Standard Finishes:

- B12 - Standard white
- PA - Prepared and washed aluminum

Optional Finishes Available:

- Optional colors
 - Custom colors
 - Anodized
 - Armstrong coordinated finishes
 - See finishes brochure for additional information. Contact your PRICE representative for leadtimes and pricing.
- Interior surface to match diffuser face
 - Pattern controllers - B17 black
 - Corner blank offs - B17 black
 - Return baffle/light shield - B17 black

PATTERN CONTROLLER ADJUSTMENTS:



MATERIAL:

- Extruded aluminum frame and spacers
- Aluminum center panel
- Steel pattern controllers and corner blank offs
- Plastic locking pins
- Coated steel fasteners
- Coated steel plenum and return baffle/light shield



Scan for link to additional product information and installation instructions.

ALL METRIC DIMENSIONS () ARE SOFT CONVERTED. IMPERIAL DIMENSIONS ARE CONVERTED TO METRIC AND ROUNDED TO THE NEAREST MILLIMETER.

PROJECT:		
ENGINEER:		
CUSTOMER:		<i>MG</i>
SUBMITTAL DATE:		270577
SPEC. SYMBOL:		CF4 CUSTOM FLOW 4-WAY DIFFUSER
		2021/07/14