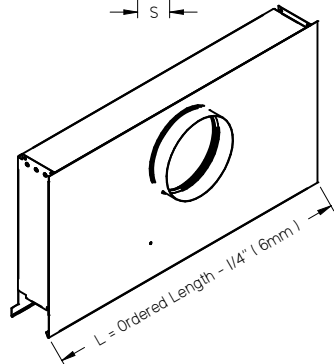
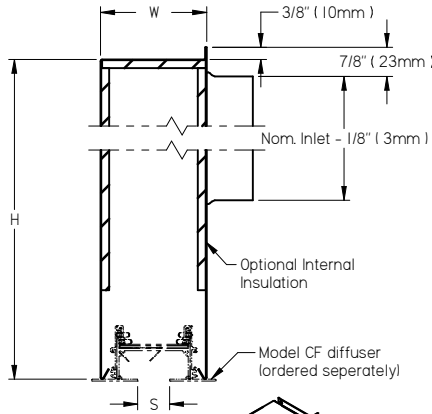


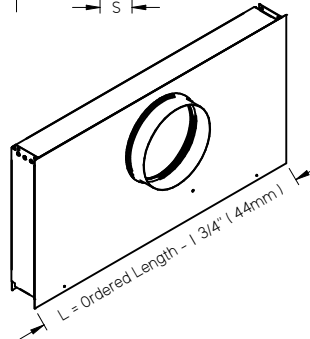
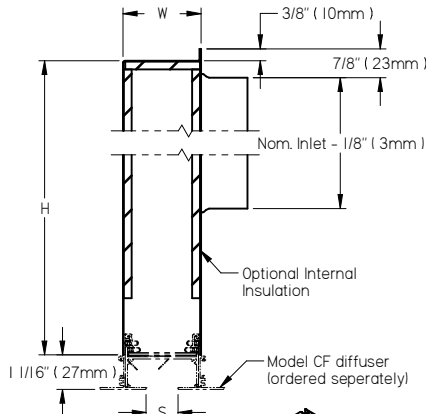
CFP - CUSTOM FLOW PLENUM

APPLICATION:

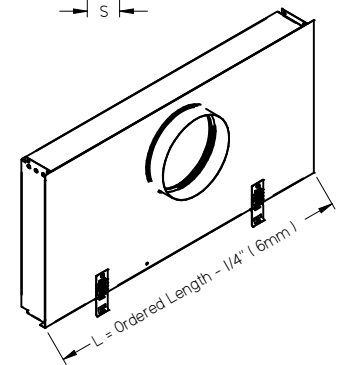
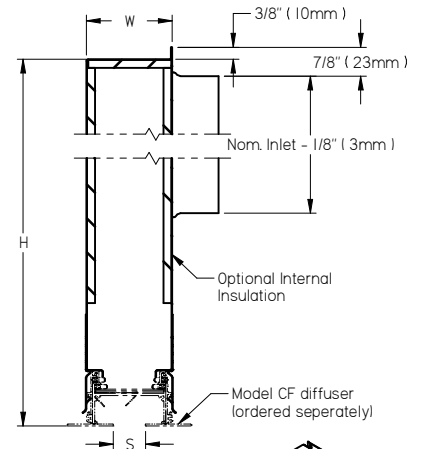
- HEM - Hemmed Edge**
- Fastened to framing before diffuser



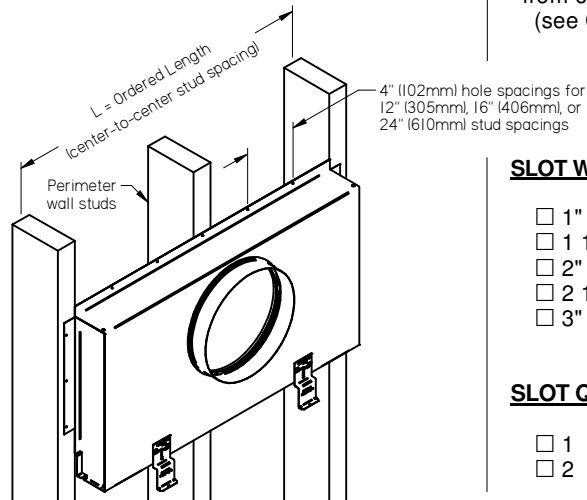
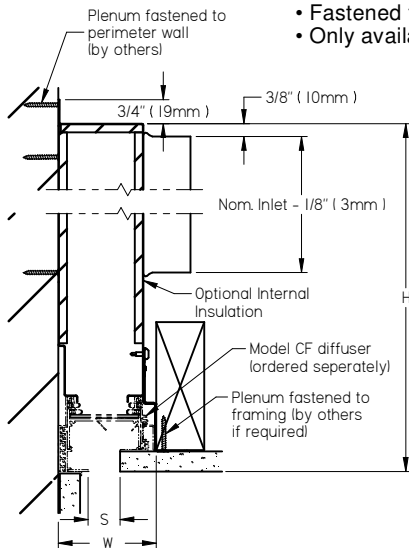
- FLAT - Flat Edge**
- Screw attached to diffuser neck (by others)



- SNAP - Snap Clip**
- Installed after diffuser



- PERIM - Perimeter Wall Plenum**
- Fastened to perimeter wall
- Only available in lengths up to 48" (1219mm)



SNAP plenums require proper clearance from ceiling framing for clips to engage (see CF submittal / IOM for standard opening width)

SLOT WIDTH:

- 1" (25mm)
- 1 1/2" (38mm)
- 2" (51mm)
- 2 1/2" (64mm)
- 3" (76mm)

LENGTH:

- 24" (610mm)
- 30" (762mm)
- 36" (914mm)
- 48" (1219mm)
- 60" (1524mm)

SLOT QUANTITY:

- 1
- 2

- Fractional sizes available between 12" (305mm) and 72" (1829mm)

ALL METRIC DIMENSIONS () ARE SOFT CONVERTED. IMPERIAL DIMENSIONS ARE CONVERTED TO METRIC AND ROUNDED TO THE NEAREST MILLIMETER.

PROJECT:

ENGINEER:

CUSTOMER:

SUBMITTAL DATE:

SPEC. SYMBOL:

PRICE

MG
269575

CFP
CUSTOM FLOW PLENUM

2022/05/17

CFP - CUSTOM FLOW PLENUM

W					
S	Slot Qty.	HEM	FLAT	SNAP	PERIM
1"	1	3 3/8" (86mm)	2 7/16" (62mm)	2 11/16" (68mm)	3 1/16" (78mm)
(25mm)	2	5 11/16" (144mm)	4 3/4" (121mm)	5" (127mm)	5 3/8" (137mm)
1 1/2"	1	4 3/8" (111mm)	3 7/16" (87mm)	3 11/16" (94mm)	4 1/16" (103mm)
(38mm)	2	7 11/16" (195mm)	6 3/4" (171mm)	7" (178mm)	7 3/8" (187mm)
2"	1	5 3/8" (137mm)	4 7/16" (113mm)	4 11/16" (119mm)	5 1/16" (129mm)
(51mm)	2	9 11/16" (246mm)	8 3/4" (222mm)	9" (229mm)	9 3/8" (238mm)
2 1/2"	1	6 3/8" (162mm)	5 7/16" (138mm)	5 11/16" (144mm)	6 1/16" (154mm)
(64mm)	2	11 11/16" (297mm)	10 3/4" (273mm)	11" (279mm)	11 3/8" (289mm)
3"	1	7 3/8" (187mm)	6 7/16" (164mm)	6 11/16" (170mm)	7 1/16" (179mm)
(76mm)	2	13 11/16" (348mm)	12 3/4" (324mm)	13" (330mm)	13 3/8" (340mm)

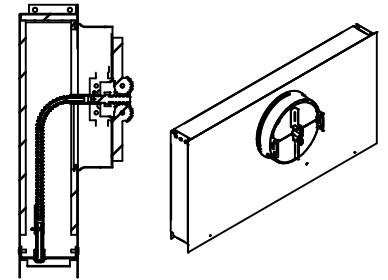
H					
Slot Qty.	Nominal Inlet	HEM	FLAT	SNAP	PERIM
1	6, 8, 10 (Oval), 12 (Oval), FC	12" (305mm)	11" (279mm)	13" (330mm)	14" (356mm)
	10	14" (356mm)	13" (330mm)	15" (381mm)	16" (406mm)
	12	16" (406mm)	15" (381mm)	17" (432mm)	18" (457mm)
2	(all)	18" (457mm)	17" (432mm)	18" (457mm)	18" (457mm)

Plenum Compatibility Chart

Diffuser Frame Style & Mounting	Surface Mount				Lay-In					CMF-EF
	CMF	EF	FM	OFS	EF	FM	TG916	TZ-4	TZ-6	
NO-MOUNT					F, S	F	F	F	F	
MP-D625	H, S	H, S	H							
MP-DR	H, S	H, S	H							
C	H	H								
A	H									
HB					F, S	F		F	F	
HBN						F, P	F			
OFS				P						
MP-DRxHB										F, S
MP-D625xHB										F, S
AxHB										F, S

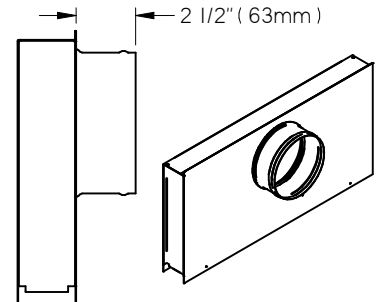
Legend: H = HEM F = FLAT S = SNAP P = PERIM

OPTIONAL DAMPER:



- VCR8EC - Cable Operated Damper
- Round inlets only

NECK OPTION:

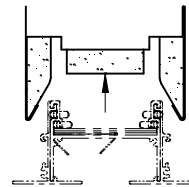


- BN - Beaded Extended Neck
- Round inlets only

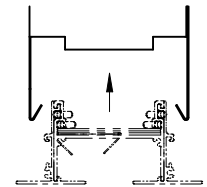
OPTIONAL INSULATION:

- FF - Fiber-Free Foam Insulation (sides and top)
- CF - Coated Fiberglass Insulation (sides and top)
- FF+E - Fiber-Free Foam Insulation with insulated endcaps (sides, top, and endcaps)
- CF+E - Coated Fiberglass Insulation with insulated endcaps (sides, top, and endcaps)

LEAKAGE OPTION:



- LOW-LEAK - Low Leakage Construction
- Gasket applied to endcaps



- STANDARD - Standard Construction

ALL METRIC DIMENSIONS () ARE SOFT CONVERTED. IMPERIAL DIMENSIONS ARE CONVERTED TO METRIC AND ROUNDED TO THE NEAREST MILLIMETER.

PROJECT:		PRICE
ENGINEER:		
CUSTOMER:		CFP
SUBMITTAL DATE:		CUSTOM FLOW PLENUM
SPEC. SYMBOL:		269575
		2022/05/17

CFP - CUSTOM FLOW PLENUM

Nominal Inlet for Ordered Length ≥ 24"						
S	Slot Qty.	6" (152mm)	8" (203mm)	10" (254mm)	12" (305mm)	FC - FIELD CUT
1" (25mm)	1 2	•	•	•○	•○	•
1 1/2" (38mm)	1 2	•	•	•○	•○	•
2" (51mm)	1 2		•	•○	•○	•
2 1/2" (64mm)	1 2			•○	•○	•
3" (76mm)	1 2			•○	•○	•

Nominal Inlet for Ordered Length < 24"

- 6" (152mm)
- 8" (203mm)
- FC - Field Cut

- Available as round inlet
- Supplied as equivalent flat oval size:
 10" (254mm) = 8" x 10 15/16" (203mm x 278mm)
 12" (305mm) = 8" x 14 3/32" (203mm x 358mm)

MATERIAL:

- Coated steel

FINISH:

- MILL - Unpainted

NOTES:

- Use with Custom Flow (CF) diffusers
- When plenum endcaps are not positioned directly over diffuser spacer bar, install blankoff from plenum endcap to next spacer bar
- For installation instructions, please see CF installation manual
- Factory tolerance +/- 1/16" (2mm)



Scan for link to additional product information and installation instructions.

ALL METRIC DIMENSIONS () ARE SOFT CONVERTED. IMPERIAL DIMENSIONS ARE CONVERTED TO METRIC AND ROUNDED TO THE NEAREST MILLIMETER.

PROJECT:		PRICE
ENGINEER:		
CUSTOMER:		<i>MG</i>
SUBMITTAL DATE:		269575
SPEC. SYMBOL:		2022/05/17
		CFP CUSTOM FLOW PLENUM