

CFPC - CURVED CUSTOM FLOW PLENUM

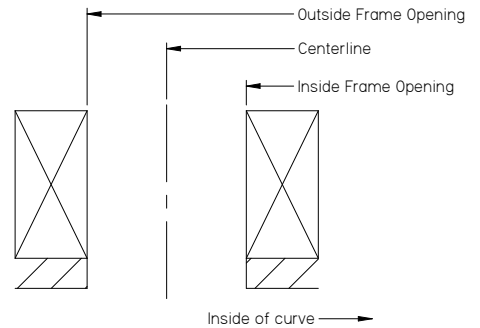
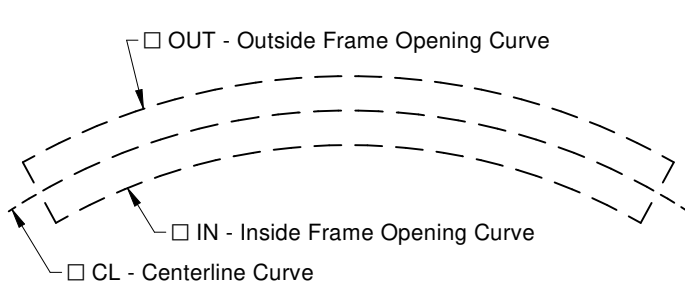
CURVE ORIENTATION:

FLAT - Flat Faced Curve

OUT - Outside Frame Opening Curve

IN - Inside Frame Opening Curve

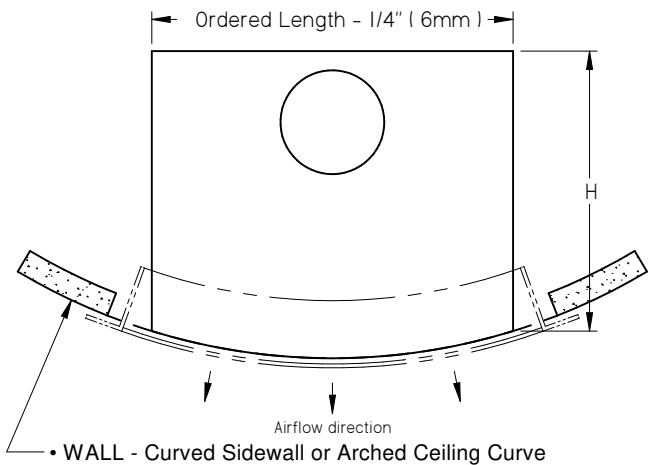
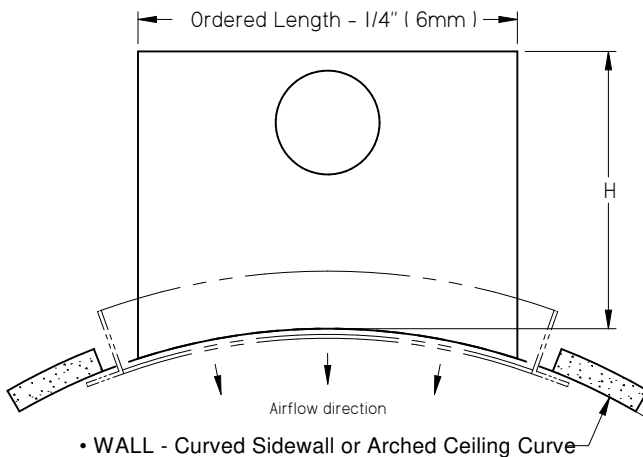
CL - Centerline Curve



Note: Ordered Length is arc length of selected curve. Plenum undersized 1/4" (6mm).

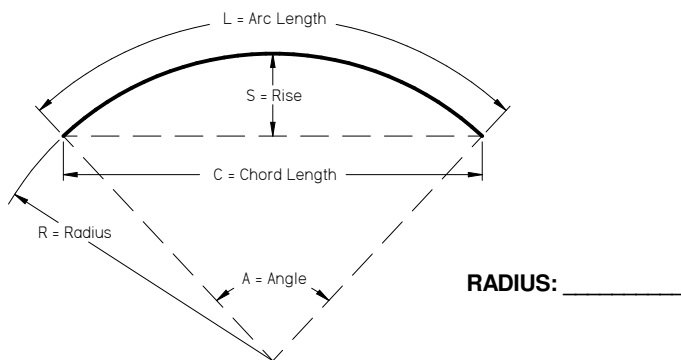
CONCAVE - Slots Facing Inside Curve

CONVEX - Slots Facing Outside Curve



CURVE RADIUS:

Please specify Radius of final curve, which can be calculated from any 2 given dimensions using an appropriate curve calculator.



ORDERED LENGTH:

- 24" (610mm)
- 36" (914mm)
- 48" (1219mm)
- 60" (1524mm)

SLOT WIDTH:

- 1" (25mm)
- 1 1/2" (38mm)
- 2" (51mm)
- 2 1/2" (64mm)
- 3" (76mm)

SLOT QUANTITY:

- 1
- 2



Scan or click for link to curve calculator

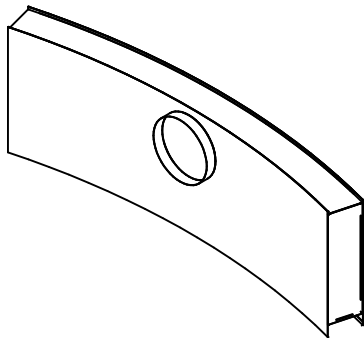
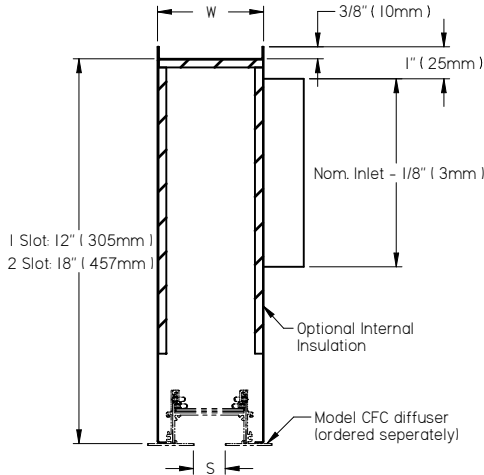
ALL METRIC DIMENSIONS () ARE SOFT CONVERTED. IMPERIAL DIMENSIONS ARE CONVERTED TO METRIC AND ROUNDED TO THE NEAREST MILLIMETER.

PROJECT:		PRICE	
ENGINEER:			
CUSTOMER:		273470	CFPC CURVED CUSTOM FLOW PLENUM
SUBMITTAL DATE:	SPEC. SYMBOL:	2022/01/07	

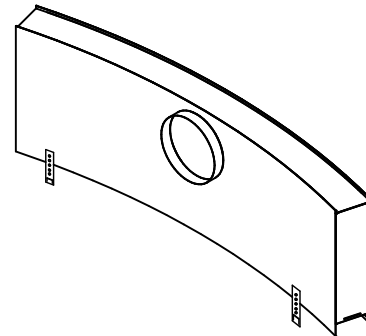
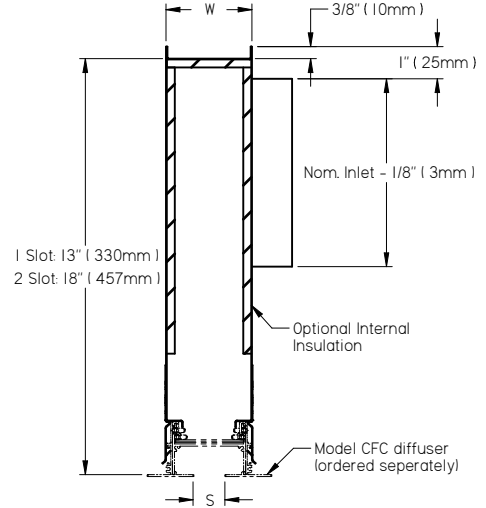
CFPC - CURVED CUSTOM FLOW PLENUM

INSTALLATION:

- HEM - Hemmed Edge
- Fastened to framing before diffuser
- Compatible with **C** or **MP-DR** diffuser mounting



- SNAP - Snap Clip
- Installed after diffuser
- Compatible with **MP-DR** diffuser mounting



		W	
S	Slot Qty.	HEM	SNAP
1" (25mm)	1	3 3/8" (86mm)	2 11/16" (68mm)
	2	5 11/16" (144mm)	5" (127mm)
1 1/2" (38mm)	1	4 3/8" (111mm)	3 11/16" (94mm)
	2	7 11/16" (195mm)	7" (178mm)
2" (51mm)	1	5 3/8" (137mm)	4 11/16" (119mm)
	2	9 11/16" (246mm)	9" (229mm)
2 1/2" (64mm)	1	6 3/8" (162mm)	5 11/16" (144mm)
	2	11 11/16" (297mm)	11" (279mm)
3" (76mm)	1	7 3/8" (187mm)	6 11/16" (170mm)
	2	13 11/16" (348mm)	13" (330mm)

SNAP plenums require proper clearance from ceiling framing for clips to engage (see CFC submittal / IOM for standard opening width)

OPTIONAL INSULATION:

- FF - Fiber-Free Foam Insulation (sides and top)
- CF - Coated Fiberglass Insulation (sides and top)
- FF+E - Fiber-Free Foam Insulation with insulated endcaps (sides, top, and endcaps)
- CF+E - Coated Fiberglass Insulation with insulated endcaps (sides, top, and endcaps)

ALL METRIC DIMENSIONS () ARE SOFT CONVERTED. IMPERIAL DIMENSIONS ARE CONVERTED TO METRIC AND ROUNDED TO THE NEAREST MILLIMETER.

PROJECT:		PRICE
ENGINEER:		
CUSTOMER:		<i>MG</i>
SUBMITTAL DATE:		273470
SPEC. SYMBOL:		CFPC CURVED CUSTOM FLOW PLENUM
		2022/01/07

CFPC - CURVED CUSTOM FLOW PLENUM

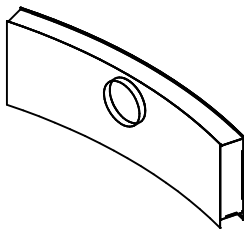
S	Slot Qty.	Nominal Inlet Sizes				FC - FIELD CUT
		6" (152mm)	8" (203mm)	10" (254mm)	12" (305mm)	
1" (25mm)	1	•	•	○	○	•
	2		•	•	•	•
1 1/2" (38mm)	1	•	•	○	○	•
	2		•	•	•	•
2" (51mm)	1		•	○	○	•
	2		•	•	•	•
2 1/2" (64mm)	1			○	○	•
	2			•	•	•
3" (76mm)	1			○	○	•
	2			•	•	•

• Available as round inlet

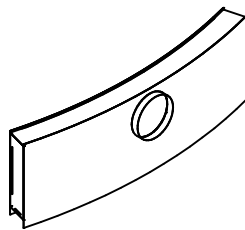
○ Supplied as equivalent flat oval size:
 10" (254mm) = 8" x 10 15/16" (203mm x 278mm)
 12" (305mm) = 8" x 14 3/32" (203mm x 358mm)

INLET LOCATION:

• Only applicable for FLAT Faced curve orientations

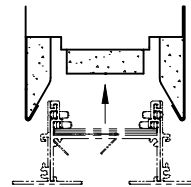


IC - Inlet Facing Inside Curve

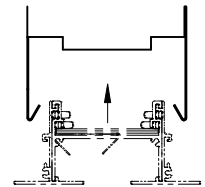


OC - Inlet Facing Outlet Curve

LEAKAGE OPTION:

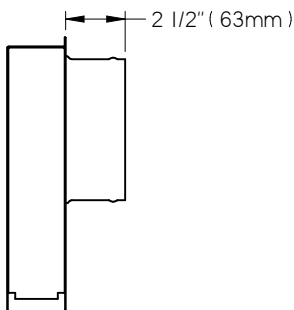


LOW-LEAK - Low Leakage Construction
 • Gasket applied to endcaps



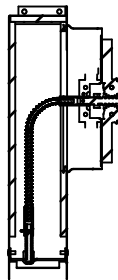
STANDARD - Standard Construction

NECK OPTION:



BN - Beaded Extended Neck
 • Round inlets only

OPTIONAL DAMPER:



VCR8EC - Cable Operated Damper
 • Round inlets only

MATERIAL:

• Coated steel

STANDARD FINISH:

MILL - Unpainted

NOTES:

- Use with Curved Custom Flow (CFC) diffusers
- For installation instructions, please see CF IOM
- Factory tolerance +/- 1/16" (2mm)



Scan for link to additional product information and installation instructions.

ALL METRIC DIMENSIONS () ARE SOFT CONVERTED. IMPERIAL DIMENSIONS ARE CONVERTED TO METRIC AND ROUNDED TO THE NEAREST MILLIMETER.

PROJECT:		
ENGINEER:		
CUSTOMER:		<i>MG</i>
SUBMITTAL DATE:		273470
SPEC. SYMBOL:		2022/01/07
		CFPC CURVED CUSTOM FLOW PLENUM