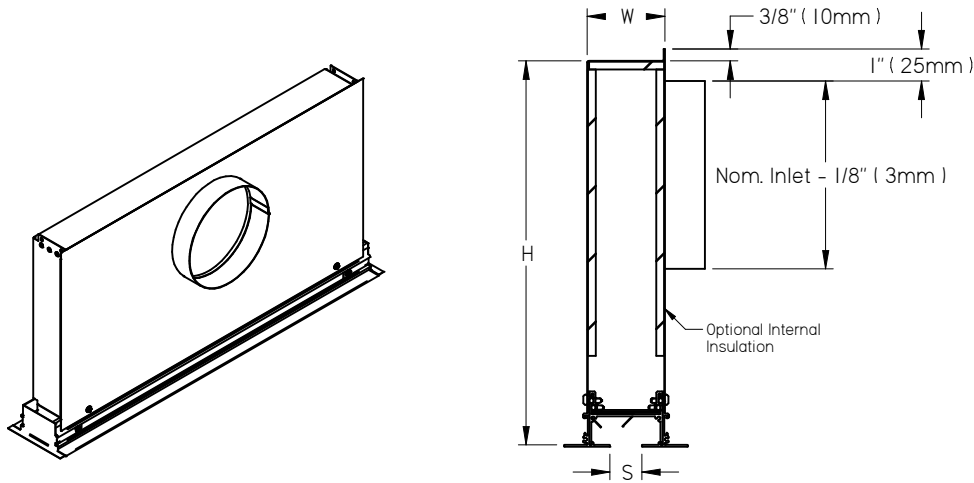


CFT - CUSTOM FLOW INTEGRATED T-BAR MODULE



LENGTH:

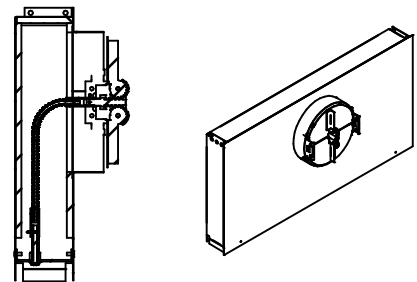
- 24" 600mm
- 30" 750mm
- 36" 900mm
- 48" 1200mm
- 60" 1500mm

Slot Qty.	H
1	12" (305mm)
2	18" (457mm)

S	Slot Qty.	W	Nominal Inlet				
			6" (152mm)	8" (203mm)	10" (254mm)	12" (305mm)	FC - FIELD CUT
1" (25mm)	1	2 7/16" (62mm)	•	•	○	○	•
	2	4 3/4" (121mm)		•	•	•	•
1 1/2" (38mm)	1	3 7/16" (87mm)	•	•	○	○	•
	2	6 3/4" (171mm)		•	•	•	•
2" (51mm)	1	4 7/16" (113mm)		•	○	○	•
	2	8 3/4" (222mm)		•	•	•	•
2 1/2" (64mm)	1	5 7/16" (138mm)			○	○	•
	2	10 3/4" (273mm)			•	•	•
3" (76mm)	1	6 7/16" (164mm)			○	○	•
	2	12 3/4" (324mm)			•	•	•

- Available inlet
- Supplied as equivalent flat oval size:
 - 10" (254mm) = 8" x 10 15/16" (203mm x 278mm)
 - 12" (305mm) = 8" x 14 3/32" (203mm x 358mm)

OPTIONAL DAMPER:



OPTIONAL INSULATION:

- FF - Fiber-Free Foam Insulation
- CF - Coated Fiberglass Insulation

LEAKAGE OPTION:

- STANDARD - Standard construction
- LOW-LEAK - Low leakage construction (gasket applied to plenum endcaps)

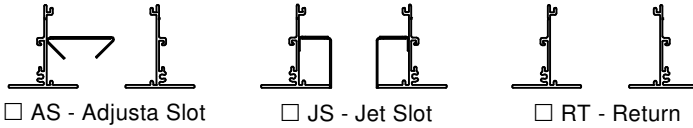
- VCR8EC - Cable Operated Damper
 - Round inlets only

ALL METRIC DIMENSIONS () ARE SOFT CONVERTED. IMPERIAL DIMENSIONS ARE CONVERTED TO METRIC AND ROUNDED TO THE NEAREST MILLIMETER.

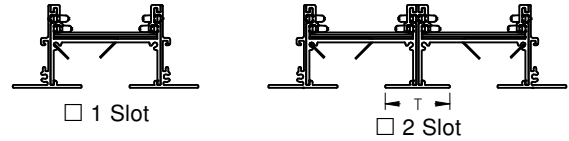
PROJECT:		<p>CFT CUSTOM FLOW INTEGRATED T-BAR MODULE</p>
ENGINEER:		
CUSTOMER:		
SUBMITTAL DATE:	SPEC. SYMBOL:	
		<p>270876</p> <p>2021/07/14</p>

CFT - CUSTOM FLOW INTEGRATED T-BAR MODULE

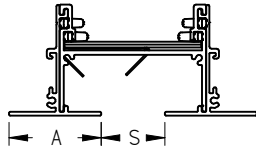
PATTERN CONTROLLER STYLE:



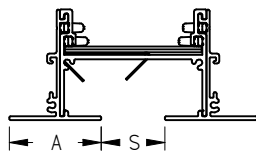
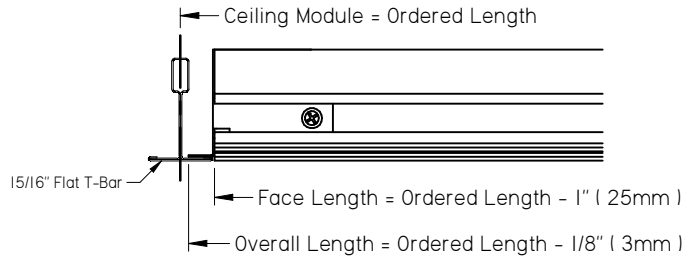
SLOT QUANTITY:



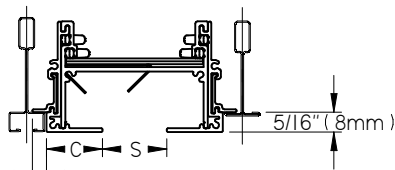
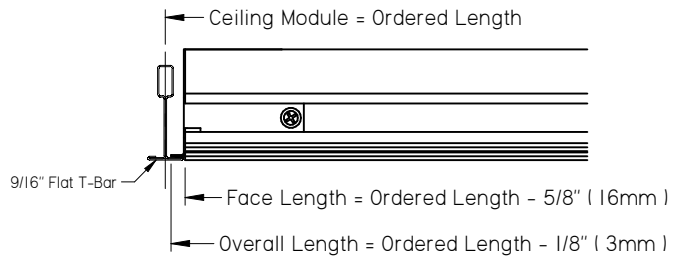
FRAME STYLE:



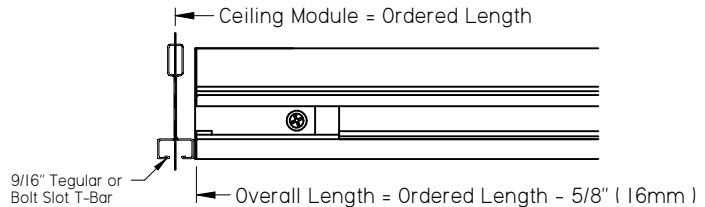
EF - T-Bar Lay-In for 15/16" Flat Tee



EF916 - T-Bar Lay-In for 9/16" Flat Tee



TG916 - 9/16" Tegular or Bolt Slot T-Bar



	Slot Width (S)	A	C	T
<input type="checkbox"/>	1" (25mm)	1 1/2" (38mm)	7/8" (22mm)	1 3/8" (35mm)
<input type="checkbox"/>	1 1/2" (38mm)	1 3/4" (44mm)	1 1/8" (29mm)	1 7/8" (48mm)
<input type="checkbox"/>	2" (51mm)	2" (51mm)	1 3/8" (35mm)	2 3/8" (60mm)
<input type="checkbox"/>	2 1/2" (64mm)	2 1/4" (57mm)	1 5/8" (41mm)	2 7/8" (73mm)
<input type="checkbox"/>	3" (76mm)	2 1/2" (64mm)	1 7/8" (48mm)	3 3/8" (86mm)

ALL METRIC DIMENSIONS () ARE SOFT CONVERTED. IMPERIAL DIMENSIONS ARE CONVERTED TO METRIC AND ROUNDED TO THE NEAREST MILLIMETER.

PROJECT:

ENGINEER:

CUSTOMER:

SUBMITTAL DATE:

SPEC. SYMBOL:



MG

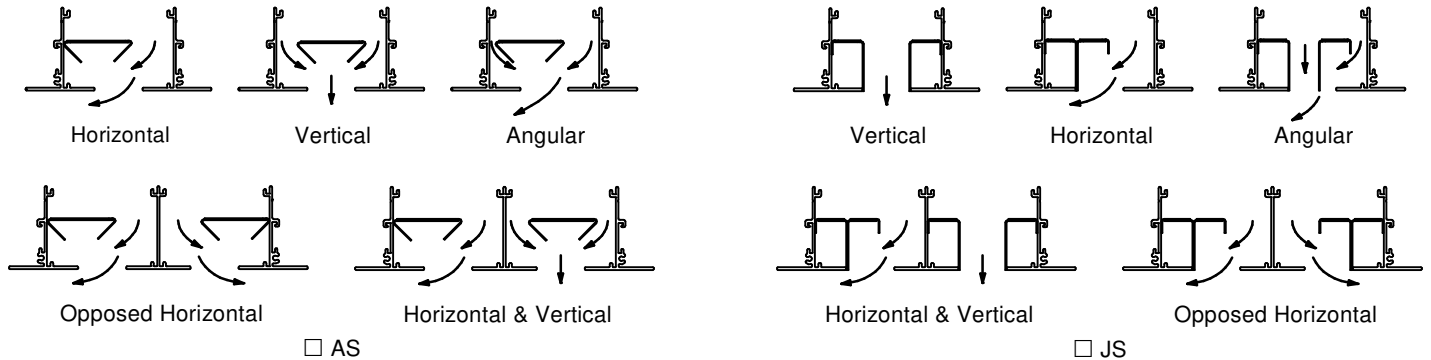
270876

2021/07/14

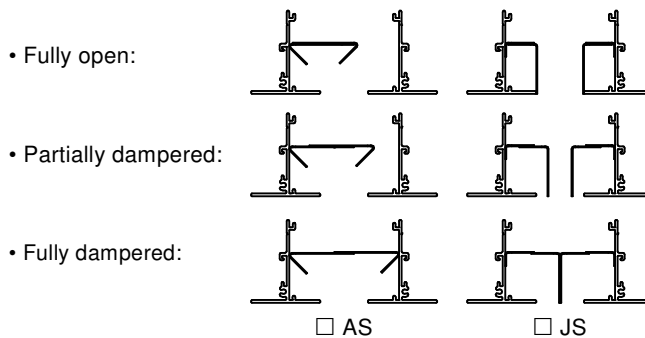
CFT
CUSTOM FLOW
INTEGRATED
T-BAR MODULE

CFT - CUSTOM FLOW INTEGRATED T-BAR MODULE

PATTERN CONTROLLER ADJUSTMENTS:



Note: Pattern controllers must be dampered slightly in order to achieve opposed horizontal pattern in 2 slot configurations



MATERIAL:

- Extruded aluminum frame and spacers
- Steel pattern controllers and endcaps
- Plastic locking pins
- Plated steel fasteners
- Coated steel plenum

FINISH:

- Diffuser face:

Standard Finishes:

- B12 - Standard white
- PA - Prepared and washed aluminum

Optional Finishes Available:

- Optional colors
- Custom colors
- Anodized
- Woodgrain patterns
- Armstrong coordinated finishes
- See finishes brochure for additional information. Contact your PRICE representative for leadtimes and pricing.

FINISH (continued):

- Interior surface:
 - NO-BFR - Upper frame to match diffuser face (JS)
 - BFR - B17 black upper frame stack (AS, RT)
- Pattern controllers - B17 black
- Endcaps - B17 black
- Plenum:
 - MILL - Unpainted

NOTES:

- Plenum endcaps are uninsulated
- Factory tolerance ±1/32" (1mm)



Scan for link to additional product information and installation instructions.

ALL METRIC DIMENSIONS () ARE SOFT CONVERTED. IMPERIAL DIMENSIONS ARE CONVERTED TO METRIC AND ROUNDED TO THE NEAREST MILLIMETER.

PROJECT:		
ENGINEER:		
CUSTOMER:		<i>MG</i> 270876
SUBMITTAL DATE:	SPEC. SYMBOL:	2021/07/14

CFT
CUSTOM FLOW
INTEGRATED
T-BAR MODULE