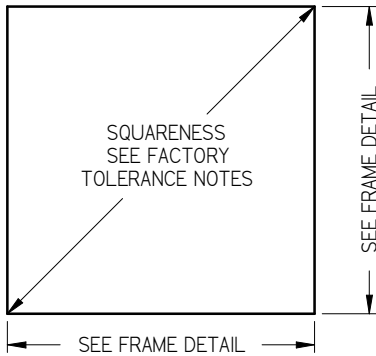


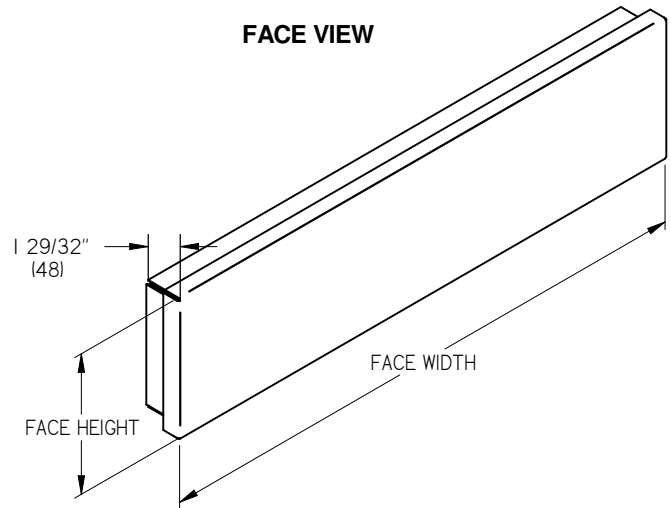
**DFR - DISPLACEMENT FLOW RECESSED DIFFUSER**

**OPENING DETAIL**

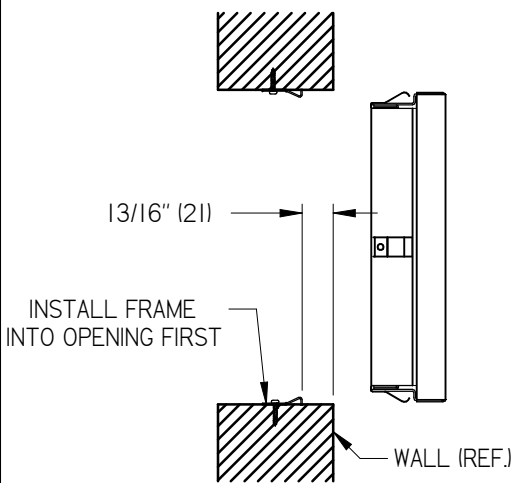


DIFFERENCE BETWEEN DIAGONALS CANNOT EXCEED 0.172" (4)

**FACE VIEW**



**STANDARD SURFACE MOUNT DETAIL**



**NOTE:**

- MINIMUM 6" X 4" (152 X 102)
- MAXIMUM 60" X 42" (1524 X 1067)
- ALL UNITS COME WITH AN INTERNAL BAFFLE

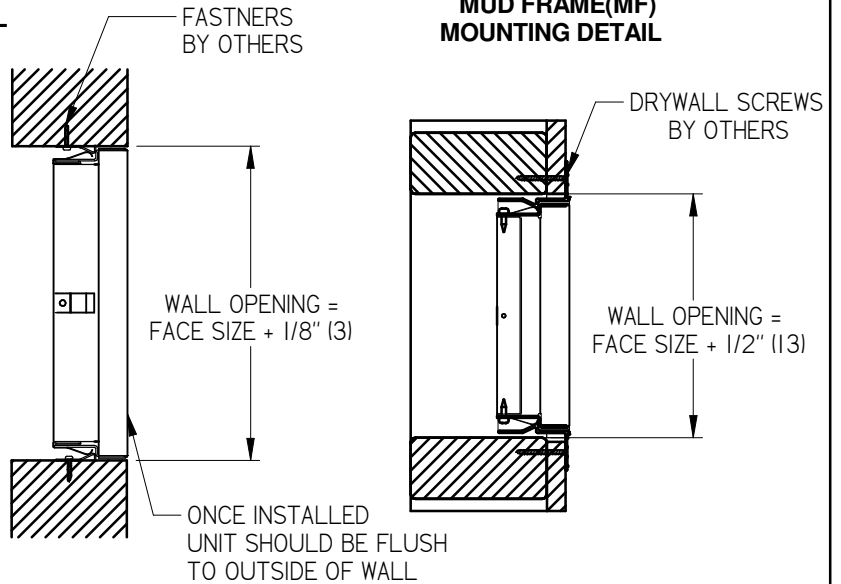
**FACTORY TOLERANCE:**

- OVERALL FACE DIMENSIONS  $\pm 1/16"$  (2)
- SQUARENESS  $\pm 0.086"$  (2) OF PERFECT SQUARE

**DIFFUSER:**

- PERFORATED FRONT PANEL - 18 GA. STEEL
- INSTALLATION FRAME - 24 GA. STEEL

**OPTIONAL MUD FRAME(MF) MOUNTING DETAIL**



**OPTIONAL:**

- MF - MUD FRAME

**FINISH:**

- F - B12 STANDARD WHITE
- F - B15 GREY
- F - B17 BLACK
- F - B25 BAKED ENAMEL TO MATCH SAMPLE
- F - SPL SPECIAL FINISH

ALL METRIC DIMENSIONS ( ) ARE SOFT CONVERTED. IMPERIAL DIMENSIONS ARE CONVERTED TO METRIC AND ROUNDED TO THE NEAREST MILLIMETER.

<b>PROJECT:</b>		<b>PRICE</b>
<b>ENGINEER:</b>		
<b>CUSTOMER:</b>		GF
<b>SUBMITTAL DATE:</b>		269413
<b>SPEC. SYMBOL:</b>		2017-11-30
		<b>DFR</b> DISPLACEMENT FLOW RECESSED DIFFUSER