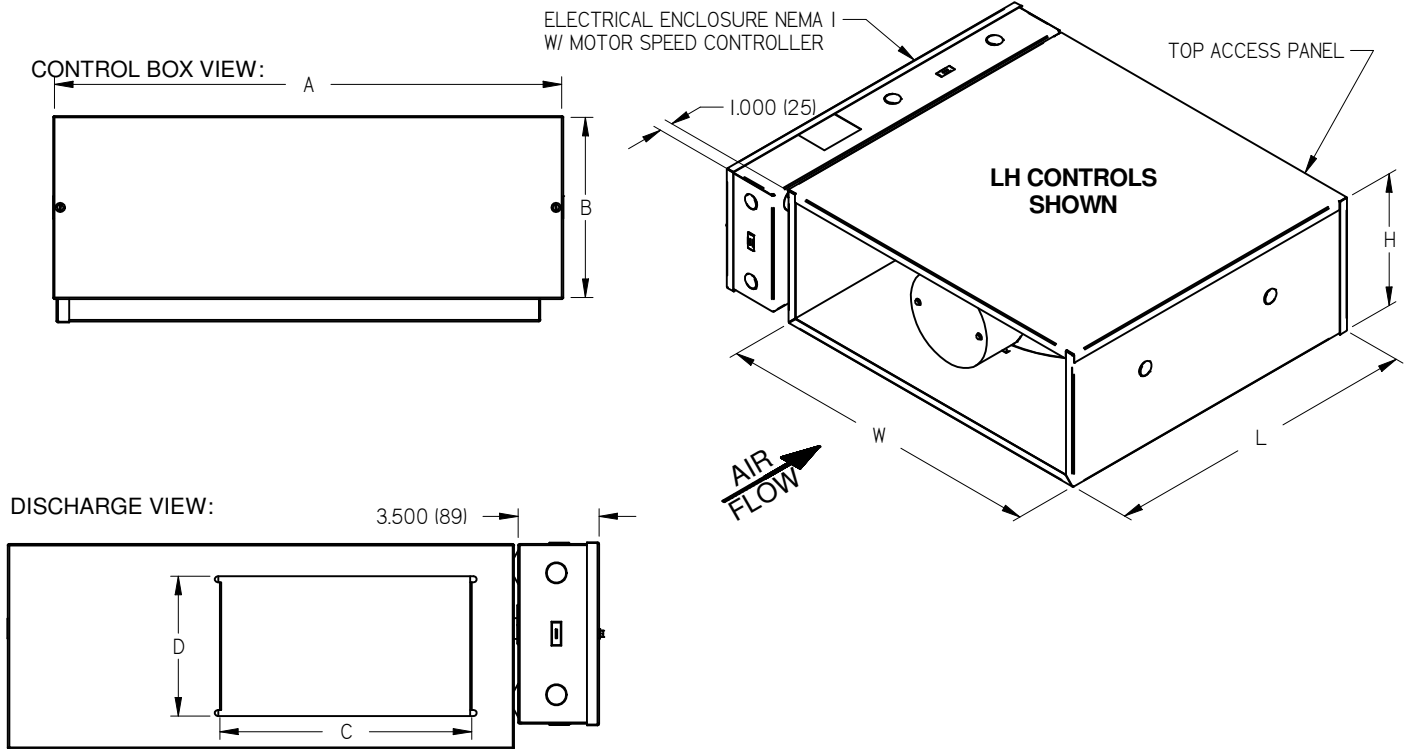


**FDU BOOSTER CONFIGURATION**



UNIT SIZE	UNIT DIMENSIONS			ENCLOSURE		DISCHARGE		MOTOR HP	ECM MOTOR FULL LOAD AMPS			
	L	W	H	A	B	C	D		115V	208V	240V	277V
	in. (mm)	in. (mm)	in. (mm)	in. (mm)	in. (mm)	in. (mm)	in. (mm)					
10	20 (508)	21 (533)	7.5 (191)	21 (533)	7.5 (191)	10.375 (264)	5.875 (149)	1/3	2.9	1.9	1.7	1.5
20	20 (508)	21 (533)	8.5 (216)	21 (533)	7.5 (191)	10.375 (264)	5.875 (149)	1/3	6.7	4.2	3.7	3.5
30	20 (508)	21 (533)	10 (254)	21 (533)	10 (254)	11.500 (292)	6.875 (175)	1/2	7.6	5.2	4.6	4.2
40	20 (508)	21 (533)	12.5 (318)	21 (533)	10 (254)	11.500 (292)	8.250 (210)	3/4	11.0	7.0	6.2	5.9

**STANDARD CONSTRUCTION:**

- 20 GA. ZINC COATED GALVANIZED STEEL CASING
- FIBERGLASS INSULATION 1/2" (13) THICK, MIN. 1.5LB/FT<sup>3</sup>
- LEFT HAND CONTROLS - SHOWN ABOVE
- ECM MOTOR, 1 PHASE, 60 CYCLE
- STANDARD SPEED CONTROLLER INCLUDED
- LISTED UL1995 & CSA236 ASSEMBLY
- MINIMUM 0.05" EXTERNAL S.P TO OPERATE

**UNIT OPTIONS:**

- PRICE UMCB CONTROLS
- ECM DLX SPEED CONTROLLER
- DISCONNECT SWITCH (DSW)
- MOTOR FUSING (MFUS)
- CIRCUIT FUSING (CCF)
- TRANSFORMER
- 1/2" FIBER FREE LINER (FF50)

**ACCESSORY OPTIONS:**

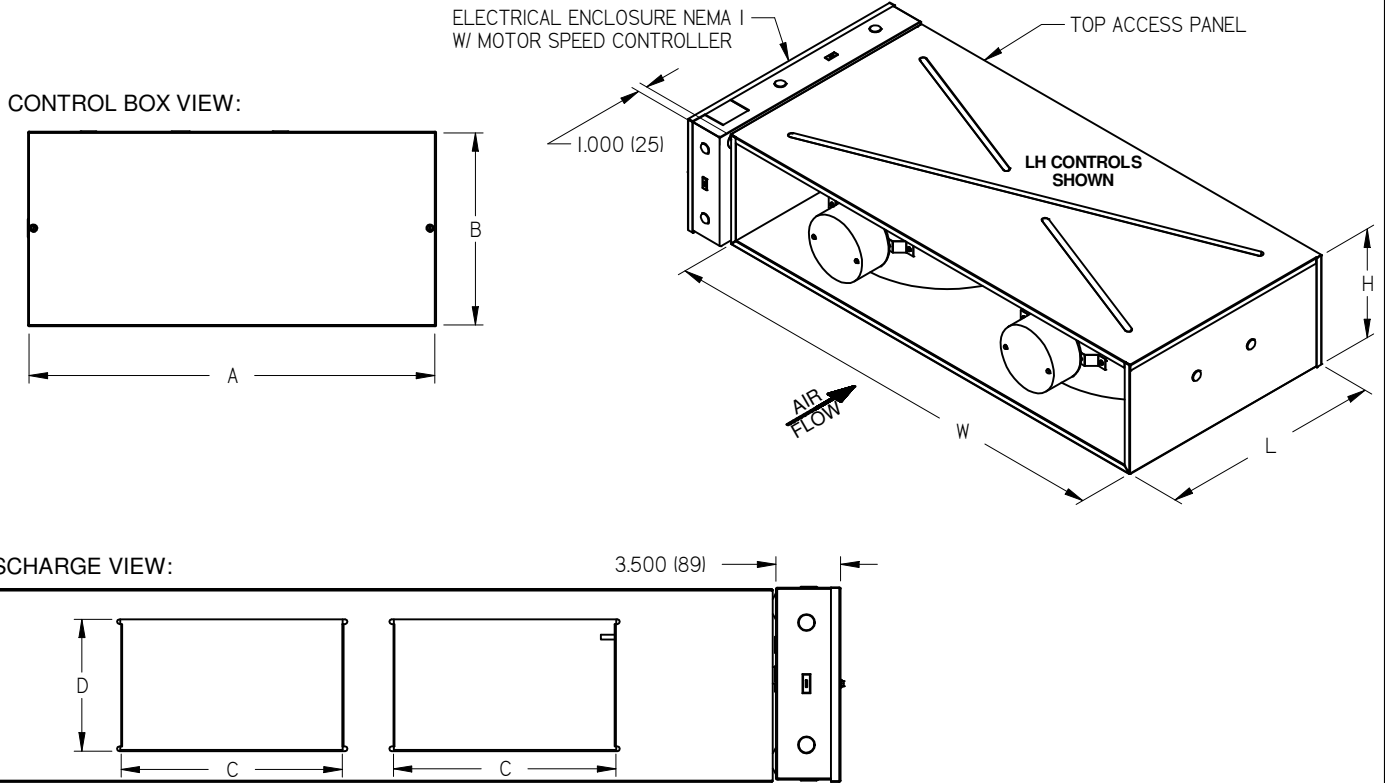
- DISCHARGE COLLAR (DC)
- DISCHARGE ATTENUATOR (DAS)
- MERV3 INLET FILTER
- SUPPORT BRACKETS (SB)
- CBC COMPLIANT CONTROLS ENCLOSURE (CBC)
- PROTECTIVE SHROUD (PS)



ALL METRIC DIMENSIONS ( ) ARE SOFT CONVERTED. IMPERIAL DIMENSIONS ARE CONVERTED TO METRIC AND ROUNDED TO THE NEAREST MILLIMETER.

<b>PROJECT:</b>		<p><b>FDU</b> UNDERFLOOR FAN POWERED BOOSTER CONFIGURATION SIZE 10-40</p>
<b>ENGINEER:</b>		
<b>CUSTOMER:</b>		
<b>SUBMITTAL DATE:</b>	<b>SPEC. SYMBOL:</b>	
		<p>GF</p> <p>270518</p> <p>2018/10/01</p>

**FDU BOOSTER CONFIGURATION**



UNIT SIZE	UNIT DIMENSIONS			ENCLOSURE		DISCHARGE		ECM MOTOR				
	L	W	H	A	B	C	D	MOTOR	FULL LOAD AMPS			
	in. (mm)	in. (mm)	in. (mm)	in. (mm)	in. (mm)	in. (mm)	in. (mm)	HP	115V	208V	240V	277V
50	20 (508)	42 (1067)	10 (254)	21 (533)	10 (254)	11.500 (292)	6.875 (175)	2 X 1/2	13.3	9.2	8.1	7.5

**STANDARD CONSTRUCTION:**

- 20 GA. ZINC COATED GALVANIZED STEEL CASING
- FIBERGLASS INSULATION 1/2" (13) THICK, MIN. 1.5LB/FT<sup>3</sup>
- LEFT HAND CONTROLS - SHOWN ABOVE
- ECM MOTOR, 1 PHASE, 60 CYCLE
- STANDARD SPEED CONTROLLER INCLUDED
- LISTED UL1995 & CSA236 ASSEMBLY

**UNIT OPTIONS:**

- PRICE UMCB CONTROLS
- ECM DLX SPEED CONTROLLER
- DISCONNECT SWITCH (DSW)
- MOTOR FUSING (MFUS)
- CIRCUIT FUSING (CCF)
- TRANSFORMER

**ACCESSORY OPTIONS:**

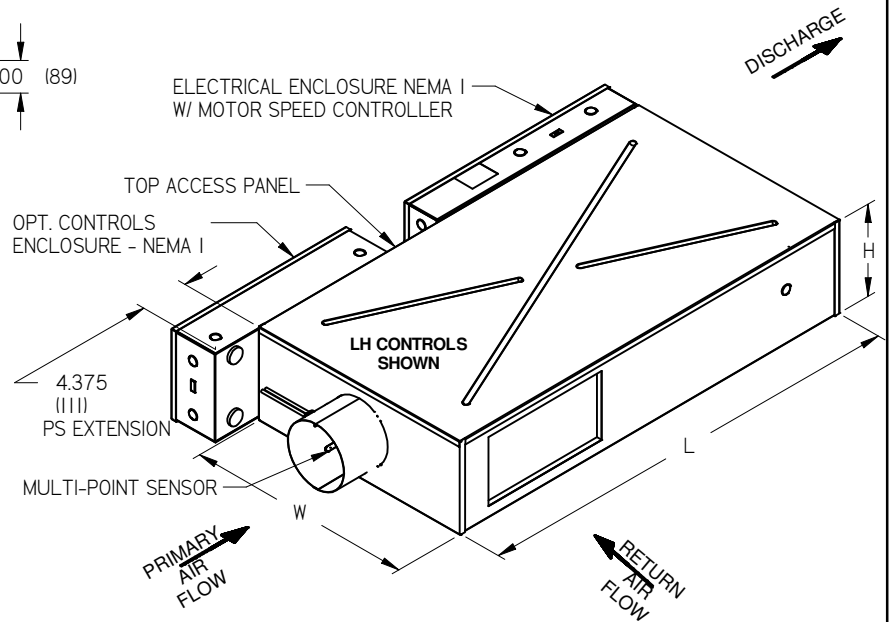
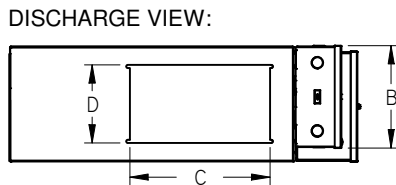
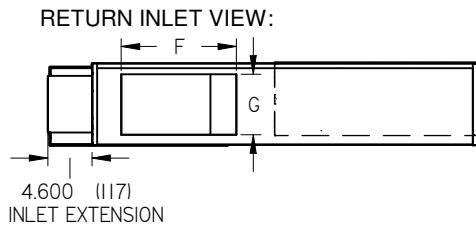
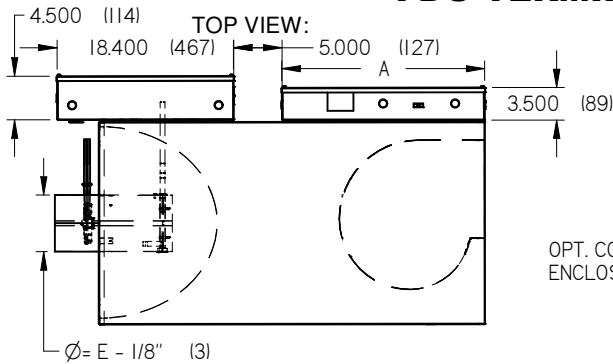
- DISCHARGE COLLAR (DC)
- DISCHARGE ATTENUATOR (DAS)
- MERV3 INLET FILTER
- SUPPORT BRACKETS (SB)
- CBC COMPLIANT CONTROLS ENCLOSURE (CBC)
- PROTECTIVE SHROUD (PS)



ALL METRIC DIMENSIONS ( ) ARE SOFT CONVERTED. IMPERIAL DIMENSIONS ARE CONVERTED TO METRIC AND ROUNDED TO THE NEAREST MILLIMETER.

<b>PROJECT:</b>		<b>PRICE</b>
<b>ENGINEER:</b>		
<b>CUSTOMER:</b>		<b>GF</b>
<b>SUBMITTAL DATE:</b>		<b>270518</b>
<b>SPEC. SYMBOL:</b>		<b>2018/10/01</b>
<b>FDU</b> <b>UNDERFLOOR FAN</b> <b>POWERED BOOSTER</b> <b>CONFIGURATION</b> <b>SIZE 50</b>		

**FDU TERMINAL CONFIGURATION**



UNIT SIZE	UNIT DIMENSIONS			ENCLOSURE		DISCHARGE		PRIMARY	RETURN	
	L in. (mm)	W in. (mm)	H in. (mm)	A in. (mm)	B in. (mm)	C in. (mm)	D in. (mm)	E in. (mm)	F in. (mm)	G in. (mm)
10	40 (1016)	21 (533)	7.5 (191)	21 (533)	7.5 (191)	10.375 (264)	5.875 (149)	4,5,6 (102,127,152)*	12 (305)	6.31(160)
20	40 (1016)	21 (533)	8.5 (216)	21 (533)	7.5 (191)	10.375 (264)	5.875 (149)	4,5,6 (102,127,152)*	12 (305)	6.31(160)
30	40 (1016)	21 (533)	10 (254)	21 (533)	10 (254)	11.500 (292)	6.875 (175)	5,6,8 (127,152,203)	14 (356)	7.81(198)
40	40 (1016)	21 (533)	12.5 (318)	21 (533)	10 (254)	11.500 (292)	8.250 (210)	6,8,10 (152,203,254)	16 (406)	10.31(262)

ECM MOTOR				
MOTOR HP	FULL LOAD AMPS			
	115V	208V	240V	277V
1/3	2.9	1.9	1.7	1.6
1/3	6.7	4.3	3.8	3.6
1/2	7.4	4.7	4.2	4.0
3/4	11.1	7.1	6.2	5.7



\*4in./5in. (102/127) INLETS USE 6in.(152) DUCT WITH REDUCER

**STANDARD CONSTRUCTION:**

- 20 GA. ZINC COATED GALVANIZED STEEL CASING
- FIBERGLASS INSULATION 1/2" (13) THICK, MIN. 1.5LB/FT<sup>3</sup>
- LEFT HAND CONTROLS - SHOWN ABOVE
- ECM MOTOR, 1 PHASE, 60 CYCLE
- STANDARD SPEED CONTROLLER INCLUDED
- LISTED UL1995 & CSA236 ASSEMBLY
- MINIMUM 0.1" EXTERNAL S.P TO OPERATE

**UNIT OPTIONS:**

- PRICE UMCB CONTROLS
- ECM DLX SPEED CONTROLLER
- DISCONNECT SWITCH (DSW)
- MOTOR FUSING (MFUS)
- CIRCUIT FUSING (CCF)
- TRANSFORMER
- 1/2" FIBER FREE LINER (FF50)

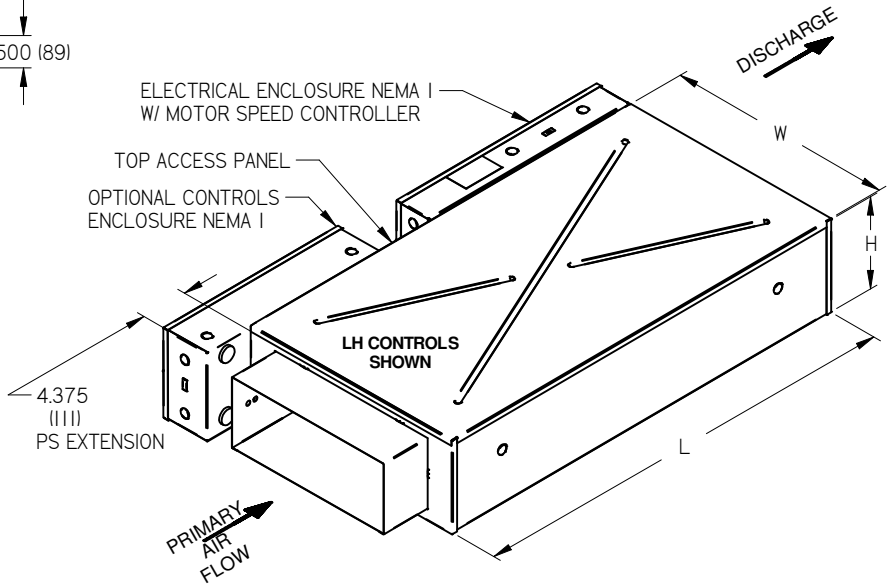
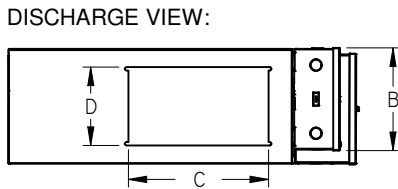
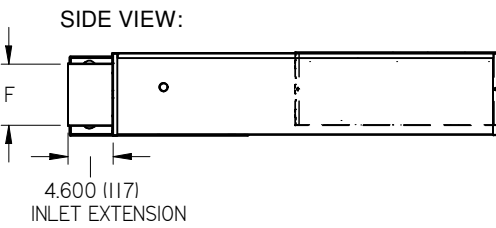
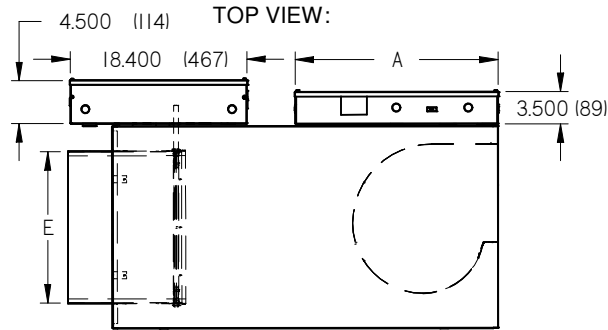
**ACCESSORY OPTIONS:**

- DISCHARGE COLLAR (DC)
- DISCHARGE ATTENUATOR (DAS)
- MERV3 INLET FILTER
- SUPPORT BRACKETS (SB)
- CBC COMPLIANT CONTROLS ENCLOSURE (CBC)
- PROTECTIVE SHROUD (PS)
- RETURN DAMPER (RD)

ALL METRIC DIMENSIONS ( ) ARE SOFT CONVERTED. IMPERIAL DIMENSIONS ARE CONVERTED TO METRIC AND ROUNDED TO THE NEAREST MILLIMETER.

<b>PROJECT:</b>		<b>PRICE</b>
<b>ENGINEER:</b>		
<b>CUSTOMER:</b>		<b>FDU</b>
<b>SUBMITTAL DATE:</b>		<b>UNDERFLOOR FAN POWERED TERMINAL CONFIGURATION SIZE 10-40</b>
<b>SPEC. SYMBOL:</b>		

**FDU BOOSTER WITH INLET DAMPER**



UNIT SIZE	UNIT DIMENSIONS			ENCLOSURE		DISCHARGE		INLET	
	L	W	H	A	B	C	D	E	F
	in. (mm)	in. (mm)	in. (mm)	in. (mm)	in. (mm)	in. (mm)	in. (mm)	in. (mm)	in. (mm)
10	40 (1016)	21 (533)	7.5 (191)	21 (533)	7.5 (191)	10.375 (264)	5.875 (149)	15.78 (401)	5.5 (140)
20	40 (1016)	21 (533)	8.5 (216)	21 (533)	7.5 (191)	10.375 (264)	5.875 (149)	15.78 (401)	6.5 (165)
30	40 (1016)	21 (533)	10 (254)	21 (533)	10 (254)	11.500 (292)	6.875 (175)	15.78 (401)	8.0 (203)
40	40 (1016)	21 (533)	12.5 (318)	21 (533)	10 (254)	11.500 (292)	8.250 (210)	15.78 (401)	10.5 (267)

**STANDARD CONSTRUCTION:**

- 20 GA. ZINC COATED GALVANIZED STEEL CASING
- FIBERGLASS INSULATION 1/2" (13) THICK, MIN. 1.5LB/FT<sup>3</sup>
- LEFT HAND CONTROLS - SHOWN ABOVE
- ECM MOTOR, 1 PHASE, 60 CYCLE
- STANDARD SPEED CONTROLLER INCLUDED
- LISTED UL1995 & CSA236 ASSEMBLY
- MINIMUM 0.05" EXTERNAL S.P TO OPERATE

**UNIT OPTIONS:**

- PRICE UMCB CONTROLS
- ECM DLX SPEED CONTROLLER
- DISCONNECT SWITCH (DSW)
- MOTOR FUSING (MFUS)
- CIRCUIT FUSING (CCF)
- TRANSFORMER
- 1/2" FIBER FREE LINER (FF50)

**ACCESSORY OPTIONS:**

- DISCHARGE COLLAR (DC)
- DISCHARGE ATTENUATOR (DAS)
- MERV3 INLET FILTER
- SUPPORT BRACKETS (SB)
- CBC COMPLIANT CONTROLS ENCLOSURE (CBC)
- PROTECTIVE SHROUD (PS)



ALL METRIC DIMENSIONS ( ) ARE SOFT CONVERTED. IMPERIAL DIMENSIONS ARE CONVERTED TO METRIC AND ROUNDED TO THE NEAREST MILLIMETER.

<b>PROJECT:</b>		<b>PRICE</b>
<b>ENGINEER:</b>		
<b>CUSTOMER:</b>		GF
<b>SUBMITTAL DATE:</b>		270520
<b>SPEC. SYMBOL:</b>		2018/10/01
<b>FDU UNDERFLOOR FAN POWERED BOOSTER WITH INLET DAMPER CONFIGURATION SIZE 10-40</b>		