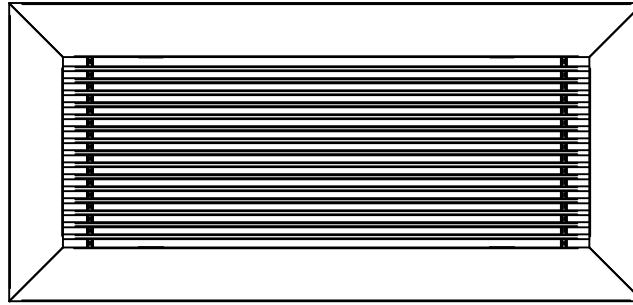


LBP Linear Bar Grilles (Pressed Core)



CORE STYLES			
1/4" SPACING	1/2" SPACING		7/16" SPACING PENCIL PROOF
<input type="checkbox"/> 15A - 0° Deflection 	<input type="checkbox"/> 15B - 0° Deflection 	<input type="checkbox"/> 25B - 0° Deflection 	<input type="checkbox"/> 25C - 0° Deflection
<input type="checkbox"/> 16A - 15° Deflection 	<input type="checkbox"/> 16B - 15° Deflection 	<input type="checkbox"/> 26B - 15° Deflection 	<input type="checkbox"/> 26C - 15° Deflection
		<input type="checkbox"/> 27B - 30° Deflection 	<input type="checkbox"/> 27C - 30° Deflection

OPTIONS:

- MRI - All - Aluminum Construction for MRI applications. N/A with dampers, DV1, or H / B / D / C fastening.

STANDARD CONSTRUCTION:

- Aluminum construction

NOTES:

- Core bars are fixed
- Minimum size 4" x 1 1/2" (102mm x 38mm)
- Maximum section length 72" (1829mm)
- Sections can be joined for continuous appearance
- Units wider than 24" (610mm) are supplied in multiple sections with mounting channels.
- Not suitable for floor applications
- Factory tolerance ± 1/32" (1mm) per grille section

CORE BAR ORIENTATION

- L - Parallel to long dimension (standard)
- S - Parallel to short dimension (Maximum 24" x 24" (610mm x 610mm), not available with DV1 option)

FINISH

- B12 - Standard white
 - 66 - Brushed and clearcoat frame finish, core bars clearcoated only
- (Other optional Finishes Available)

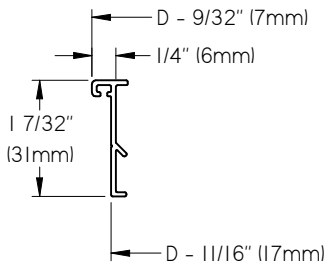
ALL METRIC DIMENSIONS () ARE SOFT CONVERTED. IMPERIAL DIMENSIONS ARE CONVERTED TO METRIC AND ROUNDED TO THE NEAREST MILLIMETER.

PROJECT:			LBP Linear Bar Grille Pressed Core
ENGINEER:			
CUSTOMER:		270553	
SUBMITTAL DATE:	SPEC. SYMBOL:	2019/04/27	

LBP Linear Bar Grilles (Pressed Core)

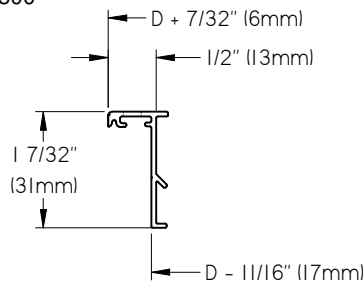
BORDER AND MOUNTING FRAME COMBINATIONS:

□ 250

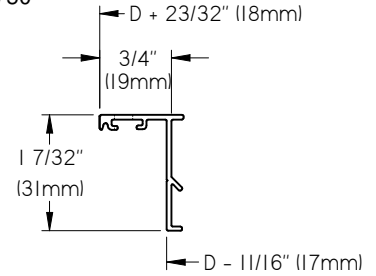


- Recommended for T-bar lay-in applications only

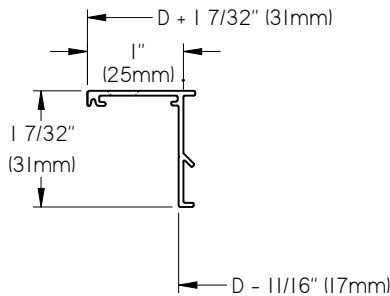
□ 500



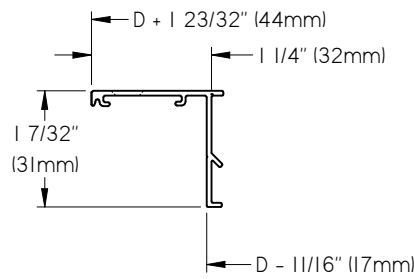
□ 750



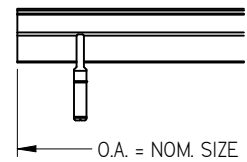
□ 1000



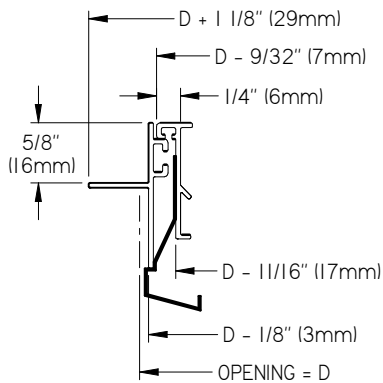
□ 1250



CORE ONLY

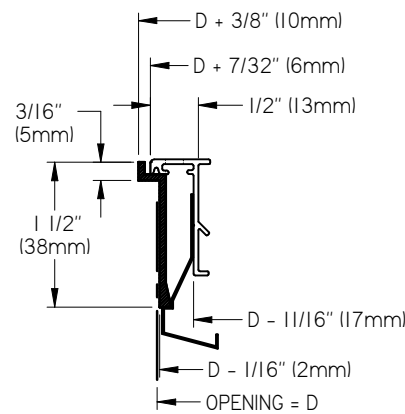


□ 250F



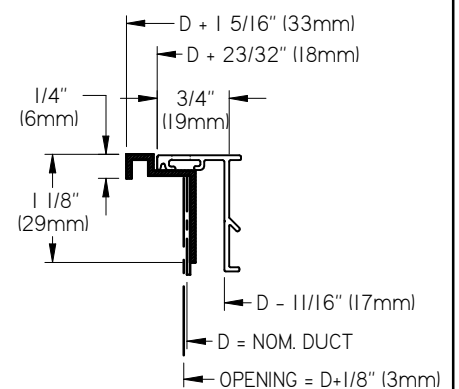
- Recommended for sidewall or sill application
- Type D clip fastening and mounting frame integral
- Maximum length 72" (1829mm)

□ 500F



- Recommended for sidewall or sill application
- Type D clip fastening and mounting frame integral

□ 750F



- Use B or C fastening as required
- Type H screw fastening not recommended

ALL METRIC DIMENSIONS () ARE SOFT CONVERTED. IMPERIAL DIMENSIONS ARE CONVERTED TO METRIC AND ROUNDED TO THE NEAREST MILLIMETER.

PROJECT:

ENGINEER:

CUSTOMER:

SUBMITTAL DATE:

SPEC. SYMBOL:

PRICE

MG

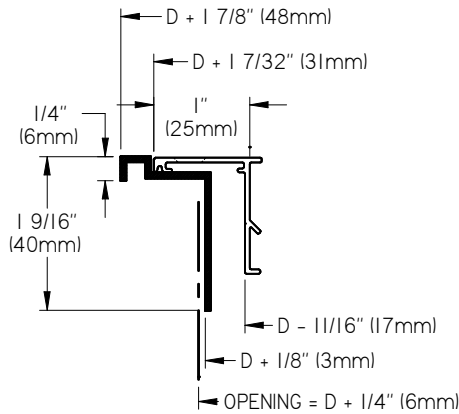
270553

2019/04/27

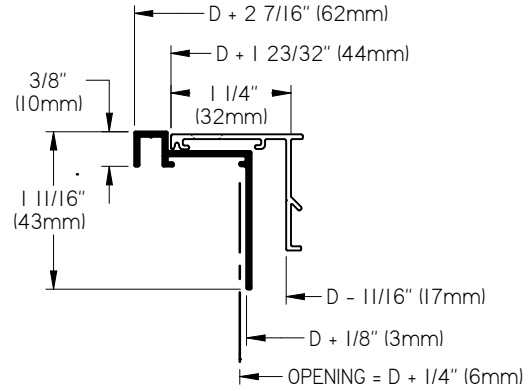
LBP
Linear Bar Grille
Pressed Core

LBP Linear Bar Grilles (Pressed Core)

□ 1000F

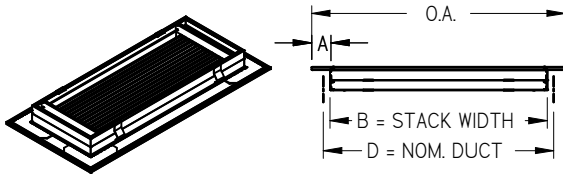


□ 1250F



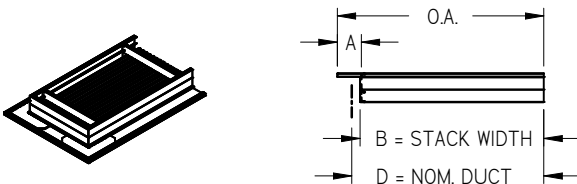
END CONDITION:

X-X END CONDITION



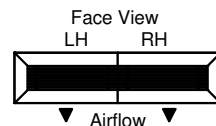
BORDER	A	O.A.	B
□ 1250	1 1/4" (32mm)	D + 1 23/32" (44mm)	D - 11/16" (17mm)
□ 1000	1" (25mm)	D + 1 7/32" (31mm)	D - 11/16" (17mm)
□ 750	3/4" (19mm)	D + 23/32" (18mm)	D - 11/16" (17mm)
□ 500	1/2" (13mm)	D + 7/32" (6mm)	D - 11/16" (17mm)
□ 250	1/4" (6mm)	D - 9/32" (7mm)	D - 11/16" (17mm)

X-Y END CONDITION

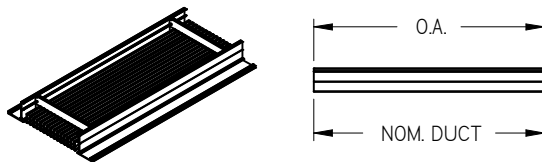


BORDER	A	O.A.	B
□ 1250	1 1/4" (32mm)	D + 55/64" (22mm)	D - 11/32" (9mm)
□ 1000	1" (25mm)	D + 39/64" (15mm)	D - 11/32" (9mm)
□ 750	3/4" (19mm)	D + 23/64" (9mm)	D - 11/32" (9mm)
□ 500	1/2" (13mm)	D + 7/64" (3mm)	D - 11/32" (9mm)
□ 250	1/4" (6mm)	D - 9/64" (4mm)	D - 11/32" (9mm)

Section orientation for cores
16A, 16B, 26B, 26C, 27B, and 27C:



Y-Y END CONDITION



BORDER	A	O.A.
□ 1250	1 1/4" (32mm)	NOM. DUCT
□ 1000	1" (25mm)	NOM. DUCT
□ 750	3/4" (19mm)	NOM. DUCT
□ 500	1/2" (13mm)	NOM. DUCT
□ 250	1/4" (6mm)	NOM. DUCT

ALL METRIC DIMENSIONS () ARE SOFT CONVERTED. IMPERIAL DIMENSIONS ARE CONVERTED TO METRIC AND ROUNDED TO THE NEAREST MILLIMETER.

PROJECT:

ENGINEER:

CUSTOMER:

SUBMITTAL DATE:

SPEC. SYMBOL:



MG

270553

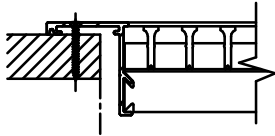
2019/04/27

LBP
Linear Bar Grille
Pressed Core

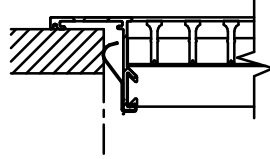
LBP Linear Bar Grilles (Pressed Core)

FASTENING

- A - Countersunk screw
 - For ceiling, wall and sill application
 - 1000 & 1250 frames only



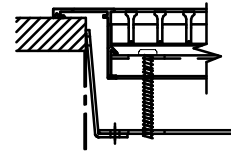
- B - Spring Clip
 - For sill applications only
 - Not available with 250, 250F or 500F frames



- D - Spring Clip
 - 250F and 500F frames only

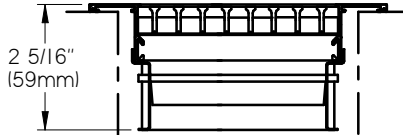


- C - Concealed mounting bracket
 - For ceiling, wall & sill applications
 - Not available with core styles 15A, 16A, 26C & 27C
 - 2" (51mm) minimum nom. width
 - 18" (457mm) maximum nom. width



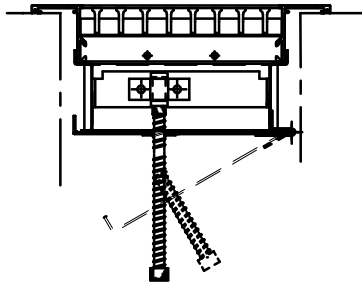
ACCESSORIES

- DV1 - Directional Vanes on 1" (25mm) spacing



Min. Nom. Width 2" (51mm)
 Max. Nom. Width 12" (305mm)
 Not available with 250F and 500F frames

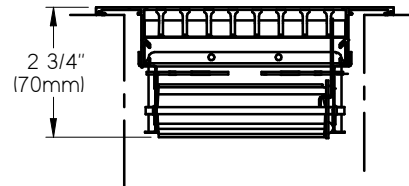
- VCS2
 - Not recommended for core style 15A, 16A, 25C, 26B, 26C, 27B & 27C due to limited accessibility to operator



VCS2 flap damper screw driver operator on 3" (76mm) through 8" (203mm) Nom. Width. Friction hinge on 1 1/2" (38mm) through 2 1/2" (64mm) Nom. Widths.

Not available with 250F and 500F frames.

- VCS3 - Steel Opposed Blade Damper
- VCS3AL - Aluminum Opposed Blade Damper

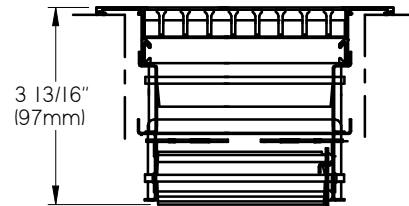


Not recommended for use with core styles 15A, 16A, 25C, 26B, 26C, 27B & 27C.

Min. Nom Width 2 1/2" (64mm).
 Aluminum damper Max. Nom. Width 18" (457mm).

Not available with 250F and 500F frames
 (use VCS3B mounted in duct upstream)

- DV1 with VCS3 / VCS3AL



Not recommended for use with core styles 15A, 16A, 25C, 26B, 26C, 27B & 27C.

Min. Nom Width 3" (76mm).
 Aluminum damper Max. Nom. Width 18" (457mm).

Not available with 250F and 500F frames

ALL METRIC DIMENSIONS () ARE SOFT CONVERTED. IMPERIAL DIMENSIONS ARE CONVERTED TO METRIC AND ROUNDED TO THE NEAREST MILLIMETER.

PROJECT:		PRICE
ENGINEER:		
CUSTOMER:		<i>MJ</i>
SUBMITTAL DATE:		270553
SPEC. SYMBOL:		2019/04/27

LBP
 Linear Bar Grille
 Pressed Core