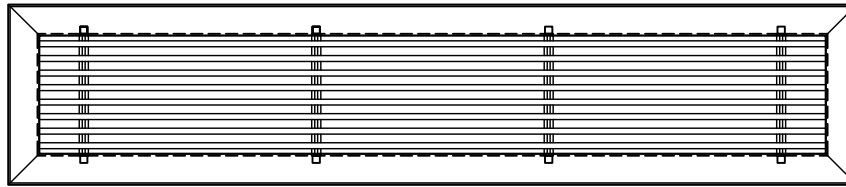


**LBPH - LINEAR BAR GRILLES (PRESSED CORE)**

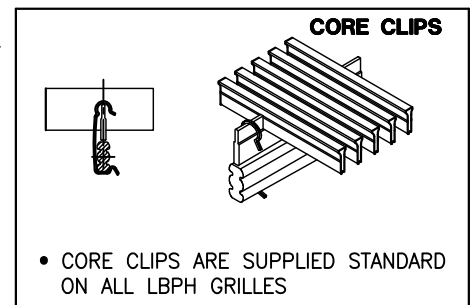


**CORE STYLES**

1/4" SPACING	1/2" SPACING		7/16" SPACING PENCIL PROOF
<input type="checkbox"/> <b>15A 3/32"(2) BARS</b> <p>0° DEFLECTION</p>	<input type="checkbox"/> <b>15B 3/32"(2) BARS</b> <p>0° DEFLECTION</p>	<input type="checkbox"/> <b>25B 3/16"(5) BARS</b> <p>0° DEFLECTION</p>	<input type="checkbox"/> <b>25C 3/16"(5) BARS</b> <p>0° DEFLECTION</p>
<input type="checkbox"/> <b>16A 1/8"(3) BARS</b> <p>15° DEFLECTION</p>	<input type="checkbox"/> <b>16B 1/8"(3) BARS</b> <p>15° DEFLECTION</p>	<input type="checkbox"/> <b>26B 3/16"(5) BARS</b> <p>15° DEFLECTION</p>	<input type="checkbox"/> <b>26C 3/16"(5) BARS</b> <p>15° DEFLECTION</p>
		<input type="checkbox"/> <b>27B 3/16"(5) BARS</b> <p>30° DEFLECTION</p>	<input type="checkbox"/> <b>27C 3/16"(5) BARS</b> <p>30° DEFLECTION</p>

**NOTES:**

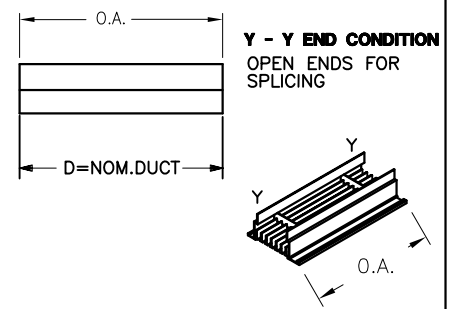
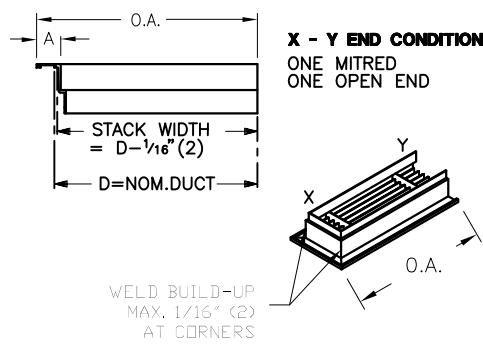
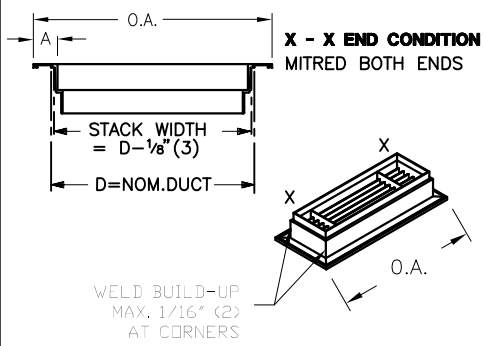
- EXTRUDED ALUMINUM CONSTRUCTION.
- B12 WHITE (STANDARD)  
(OPTIONAL FINISHES AVAILABLE)
- BARS ARE FIXED AND PARALLEL TO LONG DIMENSION.
- MAXIMUM LENGTH ONE PIECE CONSTRUCTION = 72" (1829).
- 1 1/2" (38) MINIMUM WIDTH FOR FRAMES 750, 1000, 1000S, 1250 & CORE ONLY.
- 2" (51) MINIMUM WIDTH FOR FRAMES 125, 187 & CPF.
- SECTIONS CAN BE JOINED FOR CONTINUOUS APPEARANCE.
- SCREW MOUNTING HOLES PER FACTORY STANDARD.
- FACTORY TOLERANCE: ± 1/32" (1) PER GRILLE SECTION.
- UNITS WIDER THAN 12" (305) ARE NOT RECOMMENDED FOR FLOOR APPLICATIONS. IF USED, ADDITIONAL STRUCTURAL SUPPORT MUST BE DESIGNED, SUPPLIED AND INSTALLED BY OTHERS.
- UNITS WIDER THAN 24" (610) ARE SUPPLIED IN MULTIPLE SECTIONS WITH MOUNTING CHANNEL(S).
- REMOVABLE CORE.
- CORE STYLES 15B, 16B, 25B, 26B, AND 27B NOT FOR FLOOR APPLICATIONS.
- CORE ONLY REQUIRES ADDITIONAL SUPPORT BY OTHERS.



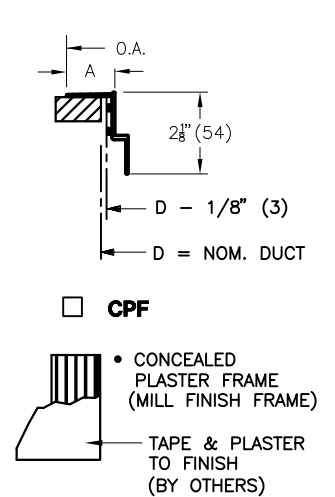
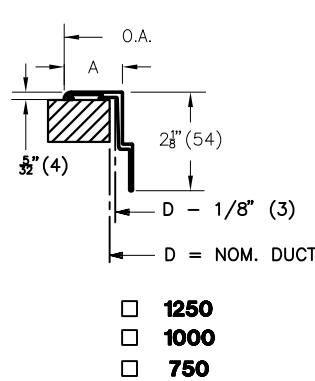
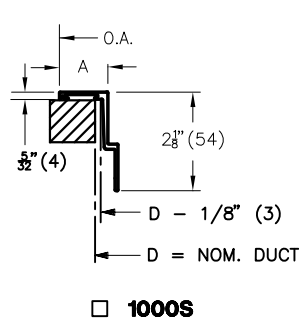
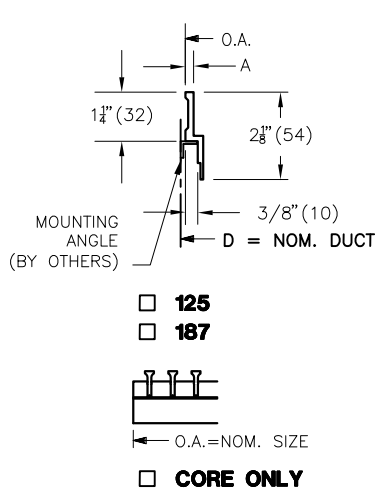
ALL METRIC DIMENSIONS ( ) ARE SOFT CONVERTED. IMPERIAL DIMENSIONS ARE CONVERTED TO METRIC AND ROUNDED TO THE NEAREST MILLIMETER.

<b>PROJECT:</b>		<b>PRICE</b> <sup>®</sup>	
<b>ENGINEER:</b>		 210582	<b>LBPH</b> HEAVY DUTY LINEAR BAR GRILLES PRESSED CORE
<b>CUSTOMER:</b>			
<b>SUBMITTAL DATE:</b>	<b>SPEC. SYMBOL:</b>	2016/12/14	

**END CONDITION**



**BORDER OPTIONS**

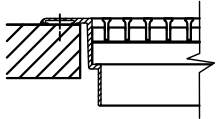


BORDER STYLE	BORDER WIDTH (A)	OVERALL (O.A.) X-X	OVERALL (O.A.) X-Y	OVERALL (O.A.) Y-Y
<input type="checkbox"/> 1250	1 1/4" (32)	D + 2 7/8" (54)	D + 1 11/16" (27)	NOM DUCT
<input type="checkbox"/> 1000S	1" (25)	D + 1 5/8" (41)	D + 1 3/8" (21)	NOM DUCT
<input type="checkbox"/> 1000	1" (25)	D + 1 5/8" (41)	D + 1 3/8" (21)	NOM DUCT
<input type="checkbox"/> 750	3/4" (19)	D + 1 5/8" (29)	D + 9/16" (14)	NOM DUCT
<input type="checkbox"/> 125	1/8" (3)	D - 1/8" (3)	D - 1/16" (2)	NOM DUCT
<input type="checkbox"/> 187	3/16" (5)	D - 1/8" (3)	D - 1/16" (2)	NOM DUCT
<input type="checkbox"/> CPF	1 1/4" (32)	D + 2" (51)	D + 1" (25)	NOM DUCT
<input type="checkbox"/> CORE ONLY	N/A	NOM DUCT	NOM DUCT	NOM DUCT

ALL METRIC DIMENSIONS ( ) ARE SOFT CONVERTED. IMPERIAL DIMENSIONS ARE CONVERTED TO METRIC AND ROUNDED TO THE NEAREST MILLIMETER.

<b>PROJECT:</b>		<b>PRICE®</b>
<b>ENGINEER:</b>	<i>mg</i>	
<b>CUSTOMER:</b>	210582	<b>LBPH</b> HEAVY DUTY LINEAR BAR GRILLES PRESSED CORE
<b>SUBMITTAL DATE:</b>	<b>SPEC. SYMBOL:</b>	
		2016/12/14

**A - COUNTERSUNK SCREW**

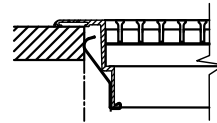


- FOR CEILING, WALL, & SILL APPLICATIONS AVAILABLE WITH BORDERS 1000,1250 & CPF

**H - STRAIGHT HOLES**  
AVAILABLE ON 750 FRAME.

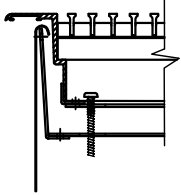
**FASTENING**

**B - SPRING CLIP**



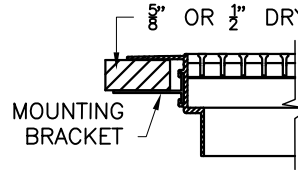
- FOR SILL APPLICATIONS ONLY, NOT TO BE USED FOR CEILING OR WALL INSTALLATION.
- NOT AVAILABLE FOR 125, 187 & CPF BORDER STYLES

**C - CONCEALED MTG BRKT**



- FOR CEILING, SIDEWALL, FLOOR OR SILL APPLICATIONS. WITH CORE STYLES 15A, 16A, 26C, OR 27C REMOVE CORE FOR ACCESS TO CONCEALED BRACKET
- MAXIMUM WIDTH - FLOOR 12" (305) OR SILL 18" (457)

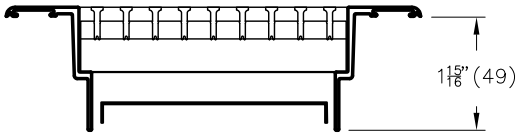
**MP-DR REVERSIBLE MOUNTING BRACKET**



- FOR DRYWALL APPLICATION. AVAILABLE ONLY WITH CPF BORDERS

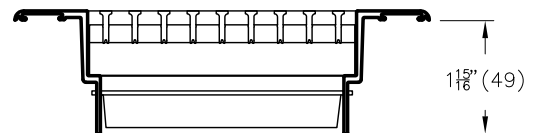
**ACCESSORIES**

**BOS - BLANK OFF SECTIONS**



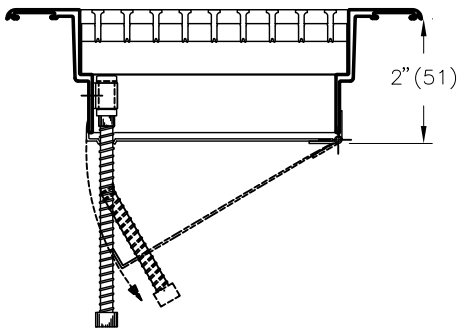
- INACTIVE SECTION c/w BLANK OFF STRIPS

**DV1 - DIRECTIONAL VANES**



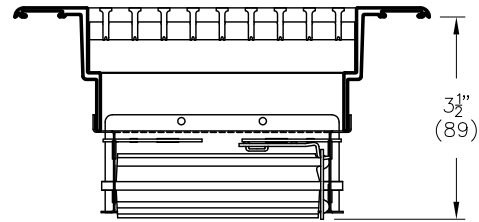
- DIRECTIONAL VANES SPACED 1" (25) o/c.
- MIN. NOM. WIDTH 2" (51)
- MAX. NOM. WIDTH 12" (305)

**VCS2**



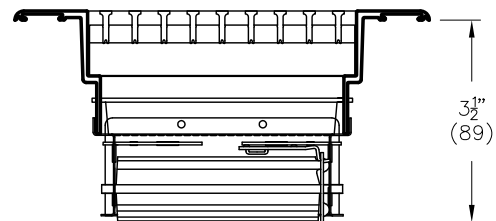
- VCS2 FLAP DAMPER SCREW DRIVER OPERATOR ON 3" (76) THROUGH 8" (203) NOM. WIDTHS. FRICTION HINGE ON 1 1/2" (38) THROUGH 2 1/2" (64) NOM. WIDTHS.

**VCS3**



- VCS3 OPPOSED BLADE DAMPER
- MIN. DAMPER WIDTH = 2 1/2" (64)
- MIN. WIDTH = 3" (76) FOR 125, 187 & CPF FRAMES

**DV1/VCS3**



- DV DIRECTIONAL VANES AND VCS3 OPPOSED BLADE DAMPER
- MIN. DAMPER WIDTH = 2 1/2" (64)
- MIN. WIDTH = 3" (76) FOR 125, 187 & CPF FRAMES

ALL METRIC DIMENSIONS ( ) ARE SOFT CONVERTED. IMPERIAL DIMENSIONS ARE CONVERTED TO METRIC AND ROUNDED TO THE NEAREST MILLIMETER.

**PROJECT:**

**ENGINEER:**

**CUSTOMER:**

**SUBMITTAL DATE:**

**SPEC. SYMBOL:**



*MG*

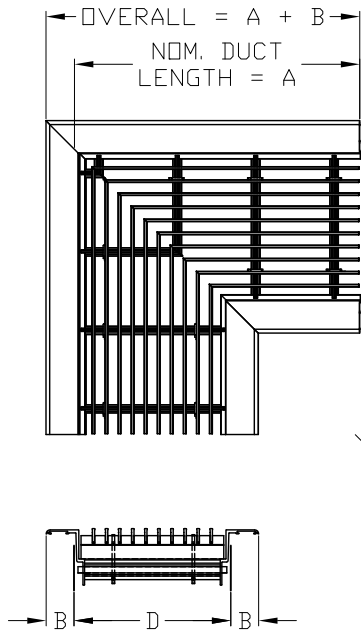
210582

2016/12/14

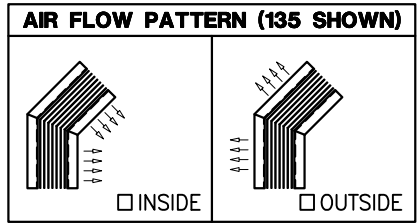
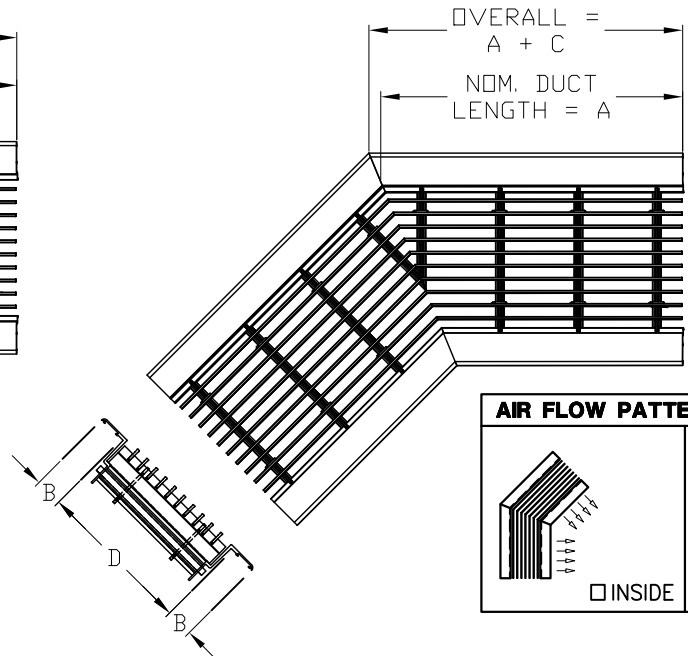
**LBPH**  
HEAVY DUTY  
LINEAR BAR GRILLES  
PRESSED CORE

**MC90, MC135, MCSI AND MCSO MITRED CORNERS FOR LBPH**

☐ **MC90** - 90° MITRED CORNER



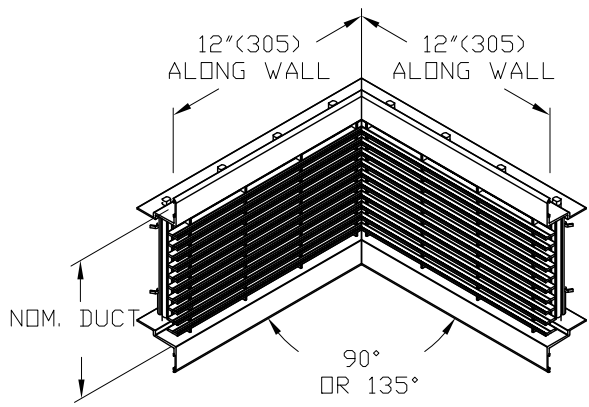
☐ **MC135** - 135° MITRED CORNER



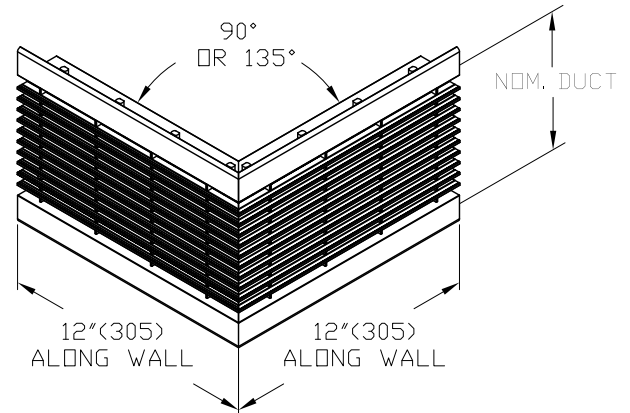
D = NOM. DUCT SIZE	A
LARGER THAN 8" (203) TO 14" (356)	18" (457)
EQUAL TO OR LESS THAN 8" (203)	12" (305)

FRAME TYPE	B	C
CPF	1" (25)	1 7/32" (13)
1250	1 1/16" (27)	9/16" (14)
1000, 1000S	1 3/16" (21)	7/16" (11)
750	9/16" (14)	5/16" (8)
187	-1/16" (2)	-1/32" (1)
125	-1/16" (2)	-1/32" (1)

☐ **MCSI** - MITRED CORNER SIDEWALL INSIDE



☐ **MCSO** - MITRED CORNER SIDEWALL OUTSIDE



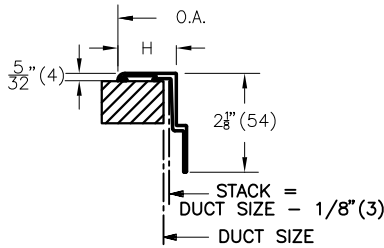
ALL METRIC DIMENSIONS ( ) ARE SOFT CONVERTED. IMPERIAL DIMENSIONS ARE CONVERTED TO METRIC AND ROUNDED TO THE NEAREST MILLIMETER.

<b>PROJECT:</b>		<b>PRICE®</b>
<b>ENGINEER:</b>		
<b>CUSTOMER:</b>		266986
<b>SUBMITTAL DATE:</b>	<b>SPEC. SYMBOL:</b>	2016/07/06

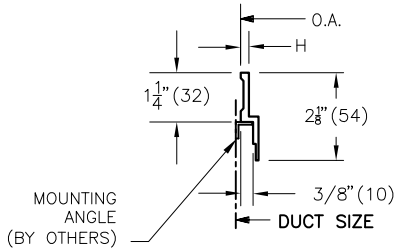
**MC-LBPH**  
MITRED CORNER  
LINEAR GRILLES  
FOR LBPH

## MC90, MC135, MCSI AND MCSO MITRED CORNERS FOR LBPH

### BORDER OPTIONS



BORDER STYLE	BORDER WIDTH (H)	OVERALL (O.A.)
<input type="checkbox"/> 1250	1 1/4" (32)	D + 2 1/8" (54)
<input type="checkbox"/> 1000	1" (25)	D + 1 5/8" (41)
<input type="checkbox"/> 1000S	1" (25)	D + 1 5/8" (41)
<input type="checkbox"/> 750	3/4" (19)	D + 1 1/8" (29)
<input type="checkbox"/> CPF	1 1/4" (32)	D + 2" (51)



BORDER STYLE	BORDER WIDTH (H)	OVERALL (O.A.)
<input type="checkbox"/> 125	1/8" (3)	D - 1/8" (3)
<input type="checkbox"/> 187	3/16" (5)	D - 1/8" (3)

**FOR CPF FRAME ONLY**



• CONCEALED PLASTER FRAME (MILL FINISH FRAME)

— TAPE & PLASTER TO FINISH (BY OTHERS)

### CORE STYLES

1/4" SPACING	1/2" SPACING	7/16" SPACING PENCIL PROOF
<input type="checkbox"/> <b>15A 3/32"(2) BARS</b>  0° DEFLECTION	<input type="checkbox"/> <b>15B 3/32"(2) BARS</b>  0° DEFLECTION	<input type="checkbox"/> <b>25B 3/16"(5) BARS</b>  0° DEFLECTION
<input type="checkbox"/> <b>16A 1/8"(3) BARS</b>  15° DEFLECTION	<input type="checkbox"/> <b>16B 1/8"(3) BARS</b>  15° DEFLECTION	<input type="checkbox"/> <b>26B 3/16"(5) BARS</b>  15° DEFLECTION
		<input type="checkbox"/> <b>27B 3/16"(5) BARS</b>  30° DEFLECTION
		<input type="checkbox"/> <b>27C 3/16"(5) BARS</b>  30° DEFLECTION

**NOTES:**

- FOR FLAT MITRE WITH 16A, 16B, 26B, 26C, 27B AND 27C FLOW DEFLECTION MUST BE SPECIFIED.
- FACTORY TOLERANCE ± 1/32" (± 1mm)
- ANGULAR TOLERANCE ± 2°

**FINISH:**

- B12 WHITE (OPTIONAL FINISHES AVAILABLE)

ALL METRIC DIMENSIONS ( ) ARE SOFT CONVERTED. IMPERIAL DIMENSIONS ARE CONVERTED TO METRIC AND ROUNDED TO THE NEAREST MILLIMETER.

**PROJECT:**

**ENGINEER:**

**CUSTOMER:**

**SUBMITTAL DATE:**

**SPEC. SYMBOL:**

2016/07/06



*MG*

266986

**MC-LBPH**

MITRED CORNER  
LINEAR GRILLES  
FOR LBPH