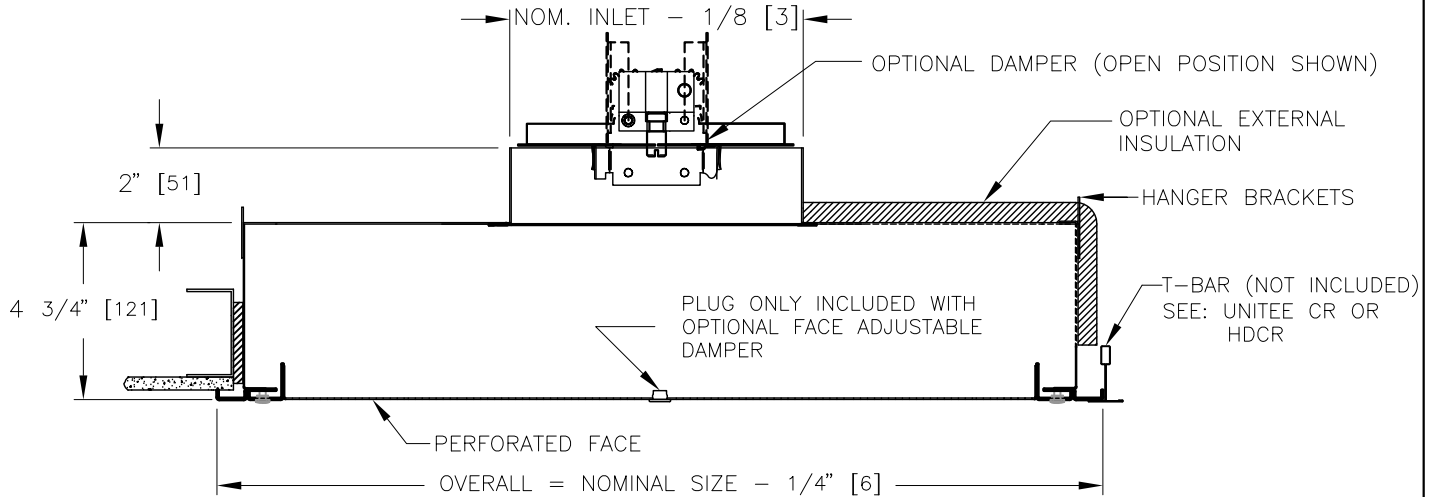
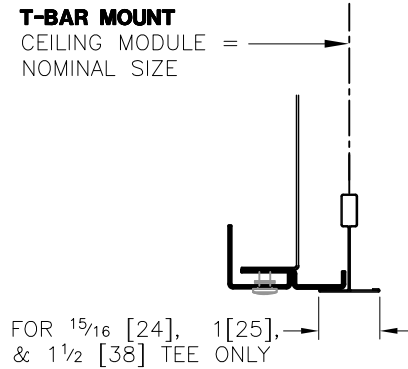
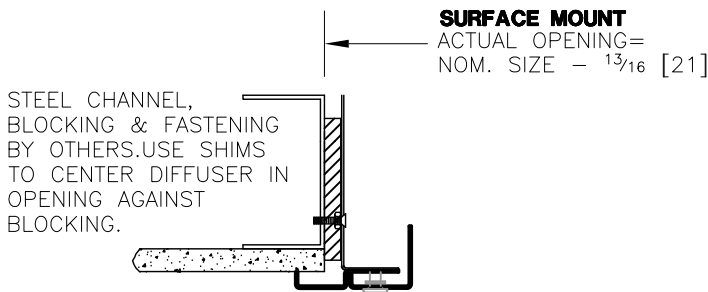


LFD LAMINAR FLOW DIFFUSER



SURFACE MOUNT DETAIL

T-BAR MOUNT DETAILS



NOMINAL SIZES

IMPERIAL		HARD METRIC
INLET SIZES	W x L	W x L
6, 8	12x24	300x600
6, 8	12x36	300x900
6, 8	12x48	300x1200
6, 8	12x60	300x1500
6, 8	12x72	300x1800
6, 8, 10, 12	24x24	600x600
6, 8, 10, 12	24x36	600x900
6, 8, 10, 12	24x48	600x1200
6, 8, 10, 12	24x60	600x1500
6, 8, 10, 12	24x72	600x1800

STANDARD CONSTRUCTION:

- SPOT WELDED CORNER SEAMS
- STAINLESS STEEL QUICK RELEASE [1/4 TURN] FASTENERS
- DUAL CHAMBER DESIGN – ENGINEERED EQUALIZATION BAFFLE
- STAINLESS STEEL RETAINER CABLES TWO PER UNIT

PLENUM MATERIAL:

- ALUMINUM
- STAINLESS STEEL – 304
- STEEL

FACE AND FRAME MATERIAL:

- ALUMINUM (EXTRUDED FRAMES)
- STAINLESS STEEL – 304

PLENUM FINISH:

- WHITE POWDER COAT – B12
 - STAINLESS STEEL – 2B
- (OPTIONAL FINISHES AVAILABLE)

FACE AND FRAME FINISH:

- WHITE POWDER COAT – B12
 - STAINLESS STEEL – #4
- (OPTIONAL FINISHES AVAILABLE)

OPTIONS:

- CONTINUOUSLY WELDED PLENUM, SPOT WELDED INLET (NOT AVAILABLE WITH STEEL PLENUM)
- 0.5" THICK ALUMINUM FOIL-BACKED FIBERGLASS EXTERNAL INSULATION
- BUTTERFLY DAMPER – WHITE POWDER COATED STEEL BLADES
- BUTTERFLY DAMPER – STAINLESS STEEL BLADES
- FACE ADJUSTABLE BUTTERFLY DAMPER – WHITE POWDER COATED STEEL BLADES
- FACE ADJUSTABLE BUTTERFLY DAMPER – STAINLESS STEEL BLADES

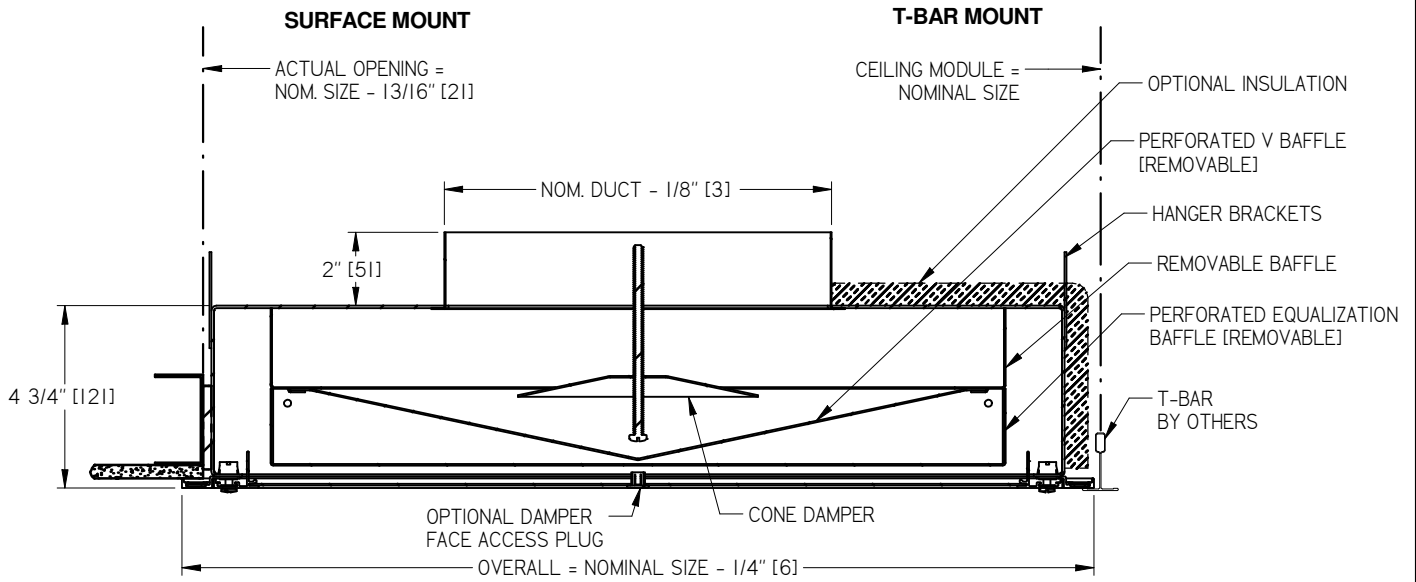
NOTES:

- FACTORY TOLERANCE: +/- 1/32(1)

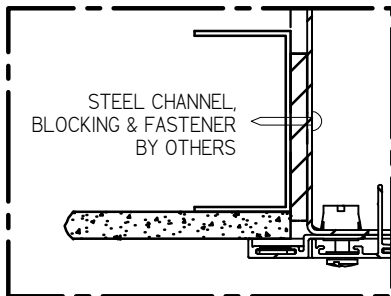
ALL METRIC DIMENSIONS () ARE SOFT CONVERTED. IMPERIAL DIMENSIONS ARE CONVERTED TO METRIC AND ROUNDED TO THE NEAREST MILLIMETER.

PROJECT:		PRICE®	
ENGINEER:		<i>DK</i>	LFD LAMINAR FLOW DIFFUSER
CUSTOMER:		266866	
SUBMITTAL DATE:	SPEC. SYMBOL:	2017/10/24	

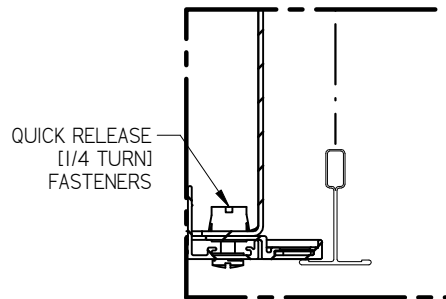
LFD3 LAMINAR FLOW DIFFUSER



SURFACE MOUNT DETAIL:
[UNINSULATED PLENUMS ONLY]



T-BAR MOUNT DETAIL:



STANDARD CONSTRUCTION:

- CONTINUOUSLY WELDED CORNERS
- QUICK RELEASE [1/4 TURN] FASTENERS - STAINLESS STEEL
- CONE DAMPER
- REMOVABLE BAFFLE PACK
- TWO STAINLESS STEEL RETAINER CABLES PER UNIT

OPTIONS:

- AFI-0.5: 0.5" THICK ALUMINUM FOIL - BACKED INSULATION
- AFI-1.5: 1.5" THICK ALUMINUM FOIL - BACKED INSULATION
- BRAPP - BALANCING ROOMSIDE ACCESS PORT & PLUG
- PF - PROTECTIVE FILM

NOTES:

- FACTORY TOLERANCE +/- 1/32" [1]

PLENUM MATERIAL:

- ALUMINUM
- STAINLESS STEEL - 304

FACE MATERIAL:

- ALUMINUM (EXTRUDED FRAMES)
- STAINLESS STEEL - 304

PLENUM FINISH:

- WHITE POWDER COAT - B12
- BRIGHT WHITE - B11
- CUSTOM MATCHED COLOR - B25
- STAINLESS STEEL - 2B (OPTIONAL FINISHES AVAILABLE)

FACE AND FRAME FINISH:

- WHITE POWDER COAT - B12
- BRIGHT WHITE - B11
- CUSTOM MATCHED COLOR - B25
- STAINLESS STEEL - #4 (OPTIONAL FINISHES AVAILABLE)

NOMINAL SIZES

INLET SIZES	IMPERIAL	METRIC
	L x W	L x W
<input type="checkbox"/> 6	<input type="checkbox"/> 24 x 12 [610 x 305]	<input type="checkbox"/> 600 x 300
<input type="checkbox"/> 6	<input type="checkbox"/> 36 x 12 [914 x 305]	<input type="checkbox"/> 900 x 300
<input type="checkbox"/> 6	<input type="checkbox"/> 48 x 12 [1219 x 305]	<input type="checkbox"/> 1200 x 300
<input type="checkbox"/> 6	<input type="checkbox"/> 60 x 12 [1524 x 305]	<input type="checkbox"/> 1500 x 300
<input type="checkbox"/> 6	<input type="checkbox"/> 72 x 12 [1829 x 305]	<input type="checkbox"/> 1800 x 300
<input type="checkbox"/> 6, <input type="checkbox"/> 8, <input type="checkbox"/> 10, <input type="checkbox"/> 12	<input type="checkbox"/> 24 x 24 [610 x 610]	<input type="checkbox"/> 600 x 600
<input type="checkbox"/> 8, <input type="checkbox"/> 10, <input type="checkbox"/> 12	<input type="checkbox"/> 36 x 24 [914 x 610]	<input type="checkbox"/> 900 x 600
<input type="checkbox"/> 8, <input type="checkbox"/> 10, <input type="checkbox"/> 12	<input type="checkbox"/> 48 x 24 [1219 x 610]	<input type="checkbox"/> 1200 x 600
<input type="checkbox"/> 8, <input type="checkbox"/> 10, <input type="checkbox"/> 12	<input type="checkbox"/> 60 x 24 [1524 x 610]	<input type="checkbox"/> 1500 x 600
<input type="checkbox"/> 8, <input type="checkbox"/> 10, <input type="checkbox"/> 12	<input type="checkbox"/> 72 x 24 [1829 x 610]	<input type="checkbox"/> 1800 x 600

ALL METRIC DIMENSIONS () ARE SOFT CONVERTED. IMPERIAL DIMENSIONS ARE CONVERTED TO METRIC AND ROUNDED TO THE NEAREST MILLIMETER.

PROJECT:		PRICE	
ENGINEER:		<i>KC</i>	LFD3
CUSTOMER:		271044	LAMINAR FLOW DIFFUSER
SUBMITTAL DATE:	SPEC. SYMBOL:	MAY 2020	