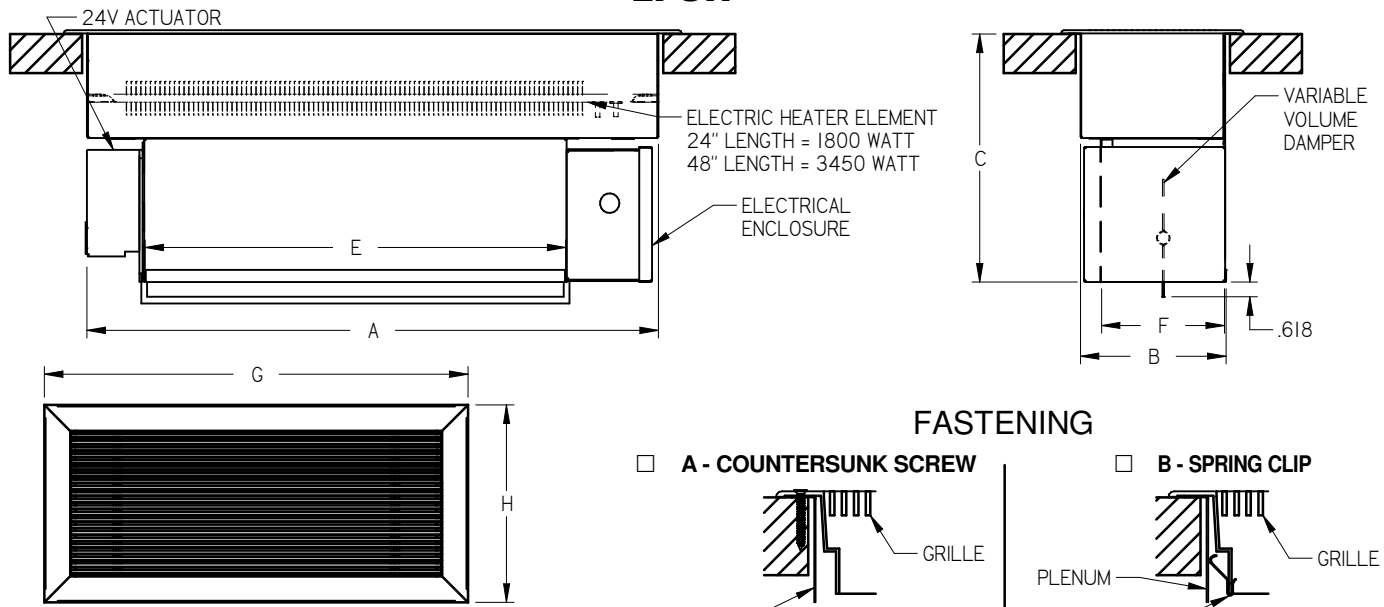


LFGH



NOM. SIZE	LFG GRILLE SIZE	UNIT OVERALL			PLENUM INLET		FACE FRAME		ROUGH OPENING
		A	B	C	E	F	G	H	
<input type="checkbox"/> 24 X 6 (610 X 152)	23 3/4 X 6 (603 X 152)	23 7/8 (606)	6 1/8 (156)	10 3/8 (264)	17 1/2 (445)	5 1/8 (130)	25 3/8 (645)	7 5/8 (194)	24 X 6 1/4 (610 X 159)
<input type="checkbox"/> 48 X 6 (1219 X 152)	47 3/4 X 6 (1213 X 152)	47 7/8 (1216)	6 1/8 (156)	10 3/8 (264)	41 1/2 (1054)	5 1/8 (130)	49 3/8 (1254)	7 5/8 (194)	48 X 6 1/4 (1219 X 159)

GRILLE:

- EXTRUDED ALUMINUM CONSTRUCTION
- PRESSED CORE WITH REINFORCING SUPPORT BARS
- 1" FACE FRAME

PLENUM:

- STEEL CONSTRUCTION WITH BLACK FINISH
- DROP-IN INSTALLATION FROM ABOVE FLOOR

HEATER ELEMENT:

- 120/1/60 ELECTRICAL (24" MODEL ONLY)
- 240/1/60 ELECTRICAL (24" OR 48" MODEL)
- 277/1/60 ELECTRICAL (24" OR 48" MODEL)
- FINNED STRIP HEATER; MULTIPLE ELEMENTS MAY BE SUPPLIED ON LONGER UNITS.
- TRANSFORMER INCLUDED

CORE OPTIONS:

- 15A - 0° DEFLECTION - 3/32" BARS - 1/4" ON CENTER SPACING
- 16A - 15° DEFLECTION - 1/8" BARS - 1/4" ON CENTER SPACING
- 25C - 0° DEFLECTION - 3/16" BARS - 7/16" ON CENTER SPACING
- 26C - 15° DEFLECTION - 3/16" BARS - 7/16" ON CENTER SPACING
- 27C - 30° DEFLECTION - 3/16" BARS - 7/16" ON CENTER SPACING

AIR PATTERN:

- DV1 - 1" (25) DIRECTIONAL VANES

GRILLE FINISH:

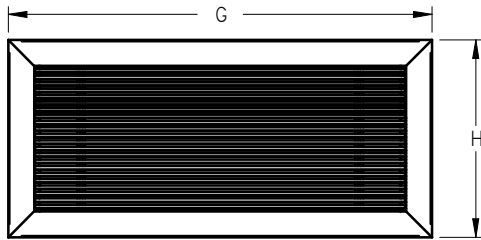
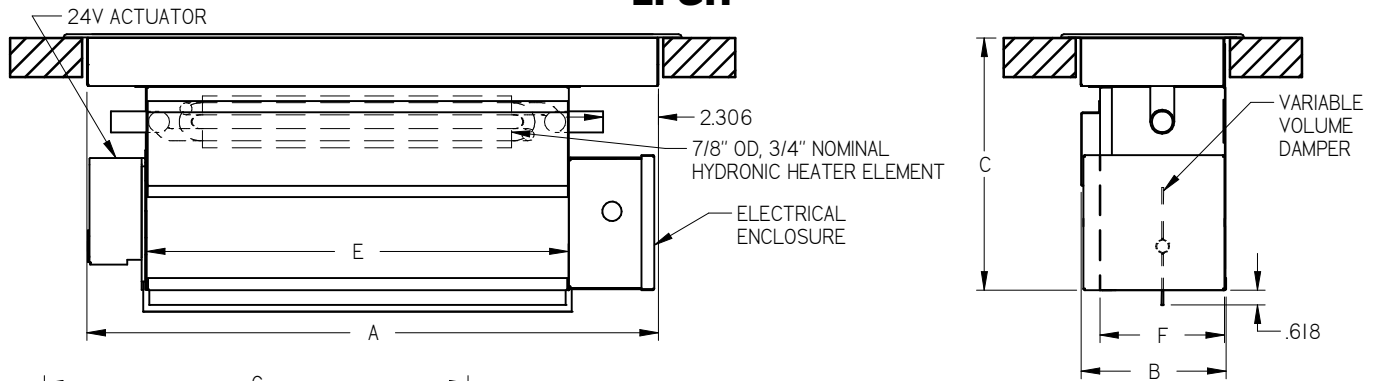
- B11 - PURE WHITE
- B12 - WHITE - POWDER COAT
- B13 - OFF-WHITE - POWDER COAT
- B15 - ALUMINUM - POWDER COAT
- B17 - BLACK - POWDER COAT
- B25 - COLOR TO MATCH
- PC12 - PRIME COAT - POWDER COAT
- 66 - BRUSHED AND POWDER COAT CLEAR
- MILL - RAW ALUMINUM
- PA - PREPARED ALUMINUM - MILL FINISH FACTORY CLEANED
- AB - ANODIZED BLACK
- AC - ANODIZED CLEAR
- ALB - ANODIZED LIGHT BRONZE
- AMB - ANODIZED MEDIUM BRONZE
- ADB - ANODIZED DARK BRONZE
- ASPL - ANODIZED COLOR OTHER THAN LISTED
- SPL - SPECIAL FINISHES



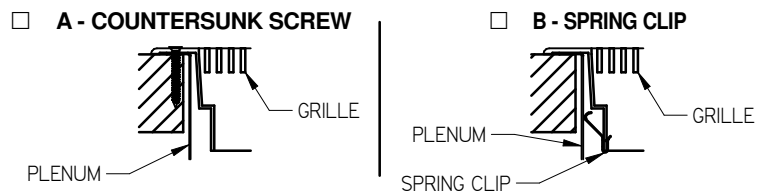
ALL METRIC DIMENSIONS () ARE SOFT CONVERTED. IMPERIAL DIMENSIONS ARE CONVERTED TO METRIC AND ROUNDED TO THE NEAREST MILLIMETER.

PROJECT:		 LFGH LINEAR FLOOR GRILLE ELECTRIC HEAT 24 x 6, 48 x 6
ENGINEER:		
CUSTOMER:		
SUBMITTAL DATE:	SPEC. SYMBOL:	
		GF 246196 2013/11/12

LFGH



FASTENING



NOM. SIZE	LFG GRILLE SIZE	UNIT OVERALL			PLENUM INLET		FACE FRAME		ROUGH OPENING
		A	B	C	E	F	G	H	
<input type="checkbox"/> 24 X 6 (610 X 152)	23 3/4 X 6 (603 X 152)	23 7/8 (606)	6 1/8 (156)	10 3/8 (264)	17 1/2 (445)	5 1/8 (130)	25 3/8 (645)	7 5/8 (194)	24 X 6 1/4 (610 X 159)
<input type="checkbox"/> 48 X 6 (1219 X 152)	47 3/4 X 6 (1213 X 152)	47 7/8 (1216)	6 1/8 (156)	10 3/8 (264)	41 1/2 (1054)	5 1/8 (130)	49 3/8 (1254)	7 5/8 (194)	48 X 6 1/4 (1219 X 159)

GRILLE:

- EXTRUDED ALUMINUM CONSTRUCTION
- PRESSED CORE WITH REINFORCING SUPPORT BARS
- 1" FACE FRAME

PLENUM:

- STEEL CONSTRUCTION WITH BLACK FINISH
- DROP-IN INSTALLATION FROM ABOVE FLOOR

HEATER ELEMENT:

- 7/8" OD, 3/4" NOM. CONNECTION HOT WATER COIL

CORE OPTIONS:

- 15A - 0° DEFLECTION - 3/32" BARS - 1/4" ON CENTER SPACING
- 16A - 15° DEFLECTION - 1/8" BARS - 1/4" ON CENTER SPACING
- 25C - 0° DEFLECTION - 3/16" BARS - 7/16" ON CENTER SPACING
- 26C - 15° DEFLECTION - 3/16" BARS - 7/16" ON CENTER SPACING
- 27C - 30° DEFLECTION - 3/16" BARS - 7/16" ON CENTER SPACING

AIR PATTERN:

- DV1 - 1" (25) DIRECTIONAL VANES

CONTROL TYPE:

- MASTER
- SLAVE (NO HOT WATER VALVE CONTROL)

CONTROL VOLTAGE (MASTER ONLY):

- 120/1/60 TRANSFORMER
- 240/1/60 TRANSFORMER
- 277/1/60 TRANSFORMER

GRILLE FINISH:

- B11 - PURE WHITE
- B12 - WHITE - POWDER COAT
- B13 - OFF-WHITE - POWDER COAT
- B15 - ALUMINUM - POWDER COAT
- B17 - BLACK - POWDER COAT
- B25 - COLOR TO MATCH
- PC12 - PRIME COAT - POWDER COAT
- 66 - BRUSHED AND POWDER COAT CLEAR
- MILL - RAW ALUMINUM
- PA - PREPARED ALUMINUM - MILL FINISH FACTORY CLEANED
- AB - ANODIZED BLACK
- AC - ANODIZED CLEAR
- ALB - ANODIZED LIGHT BRONZE
- AMB - ANODIZED MEDIUM BRONZE
- ADB - ANODIZED DARK BRONZE
- ASPL - ANODIZED COLOR OTHER THAN LISTED
- SPL - SPECIAL FINISHES



ALL METRIC DIMENSIONS () ARE SOFT CONVERTED. IMPERIAL DIMENSIONS ARE CONVERTED TO METRIC AND ROUNDED TO THE NEAREST MILLIMETER.

PROJECT:		 LFGH LINEAR FLOOR GRILLE HYDRONIC ELEMENT 24 x 6, 48 x 6
ENGINEER:		
CUSTOMER:		
SUBMITTAL DATE:	SPEC. SYMBOL:	
		GF 246948 2013/11/12