

LINEAR INDUCTION UNIT 24" WIDE

OPTIONS:

- INLET LOCATION (SEE PAGE 2)
- INLET DAMPER (SEE PAGE 7)
- VOLUME FLOW REGULATOR (SEE PAGE 8)
- BORDER STYLE (SEE PAGE 6)
- MOUNTING BRACKET (SEE PAGE 3)
- PATTERN CONTROLLER (SEE PAGE 5)
- CONDENSATE PAN (SEE PAGE 4)
- CONDENSATE PAN MATERIAL (SEE PAGE 4)
- DRAIN PIPE ELEVATION (SEE PAGE 4)
- ACCESSORY (SEE PAGE 4)

NOZZLE SIZE:

- 309 506
- 416 607
- 412 604
- 406 601
- 510

COIL TYPE:

- 2P2C-NODV - 2 PIPE, 2 CIRCUIT
- 2P2C-DV - 2 PIPE, 2 CIRCUIT W/ DRAIN AND VENT
- 4P2C-NODV - 4 PIPE, 2 CIRCUIT
- 4P2C-DV - 4 PIPE, 2 CIRCUIT W/ DRAIN AND VENT

COIL CONNECTION:

- SWT - 1/2" SWEAT
- FNPT - 1/2" NPT - FEMALE
- MNPT - 1/2" NPT - MALE

INLET SIZE:

- 5 - 5" ROUND
- 6 - 6" ROUND
- 8 - 8" ROUND
- 10 - 10" ROUND (AVAILABLE FOR TOP ONLY)

PLENUM FINISH :

- GLV - UNPAINTED GALVANNEAL (DEFAULT)
- MATCH - MATCHES UNIT FINISH

LINT SCREEN/ FILTER:

- NONE (DEFAULT)
- LS - LINT SCREEN
- FF - 1" THICK DISPOSABLE FIBERGLASS FILTER
- MERV8 - 1" THICK MERV 8 PLEATED FILTER

INSULATION:

- NONE (DEFAULT)
- INT - INTERNAL 1/2" FIBERFREE
- EXT - EXTERNAL 1/2" FIBERFREE
- INEX - INTERNAL & EXTERNAL

PROTECTIVE FILM:

- NONE (DEFAULT)
- PF - PROTECTIVE FILM

FINISH:

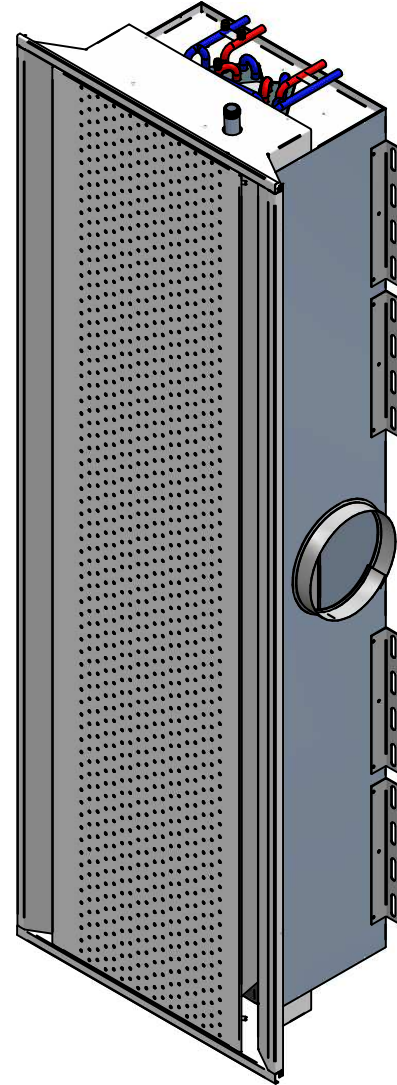
- B12 - STANDARD WHITE (DEFAULT)
- SPL - SPECIAL COLOR

ELEVATION

- SEA LEVEL
- HIGH ALTITUDE _____ FT

NOTES:

- STANDARD CONSTRUCTION: 20 GAUGE CASING CONSTRUCTION (STEEL)
- COIL PIPING IS FIXED
- FACTORY TOLERANCE ± 1/32"

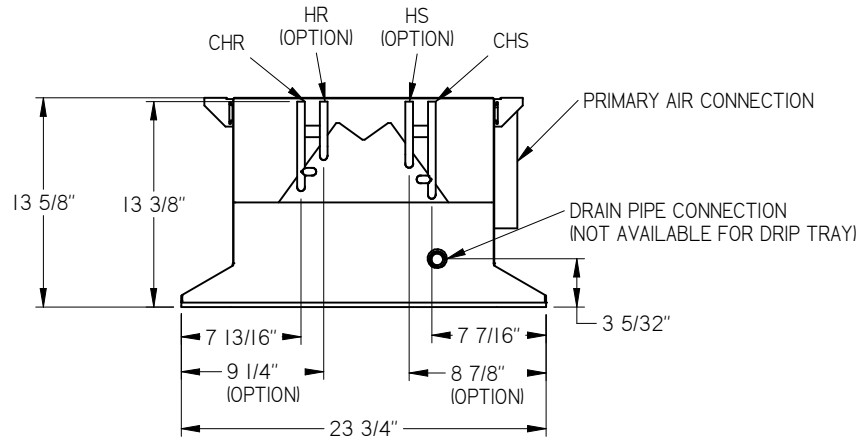


NOMINAL LENGTH	ACTUAL LENGTH (L)
24"	23 3/4"
36"	35 3/4"
48"	47 3/4"
60"	59 3/4"
72"	71 3/4"
84"	83 3/4"
96"	95 3/4"

PROJECT:		PRICE
ENGINEER:		
CUSTOMER:		DY
SUBMITTAL DATE:		270582
SPEC. SYMBOL:		LIU24 LINEAR INDUCTION UNIT 24" WIDE
		2019/10/15

LINEAR INDUCTION UNIT 24" WIDE

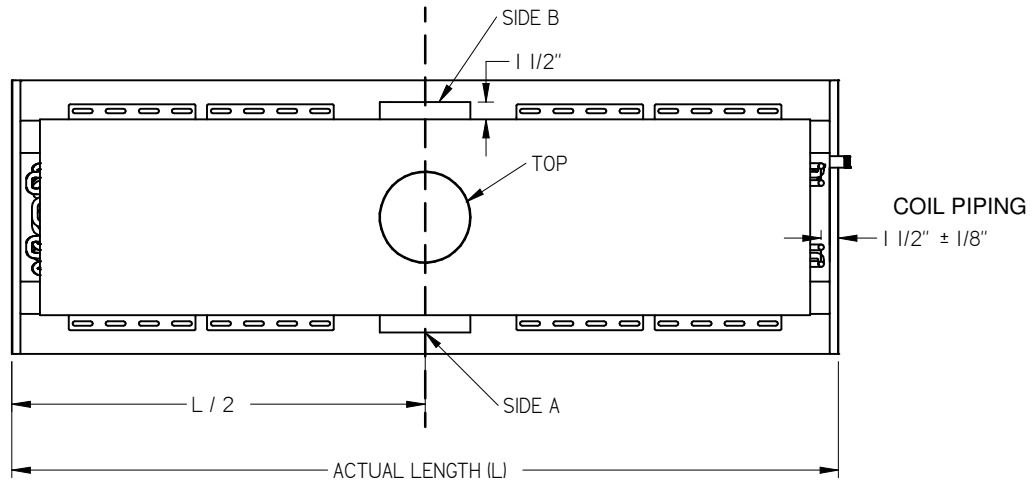
COIL PIPING SIDE VIEW SHOWN



INLET LOCATION OPTIONS:

- A - SIDE A
- B - SIDE B
- T - TOP

TOP VIEW SHOWN



PROJECT:



ENGINEER:

DY

CUSTOMER:

270582

LIU24
LINEAR INDUCTION UNIT
24" WIDE

SUBMITTAL DATE:

SPEC. SYMBOL:

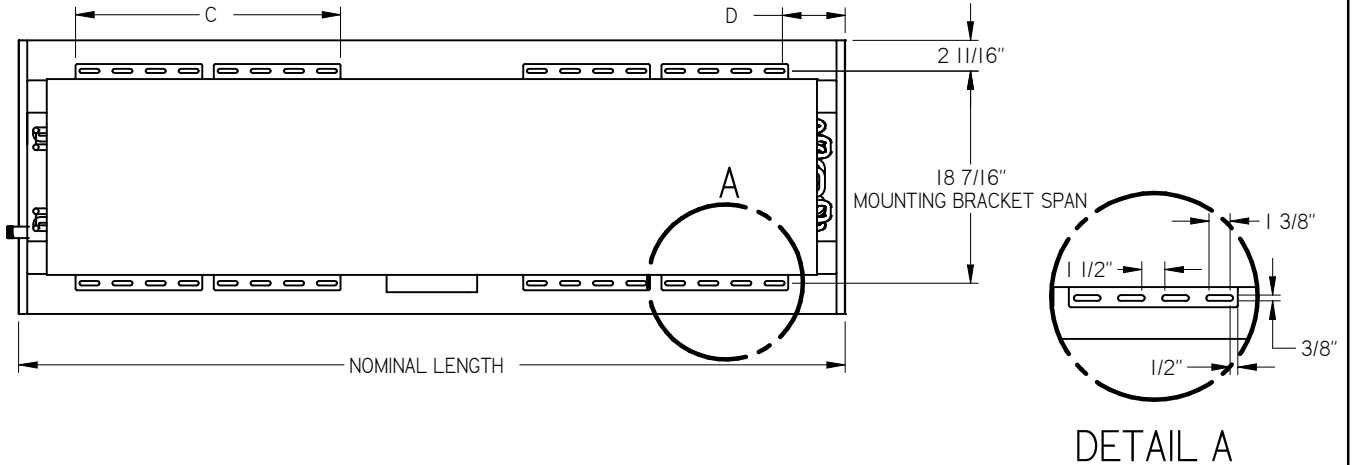
2019/10/15

LINEAR INDUCTION UNIT 24" WIDE

MOUNTING BRACKET:

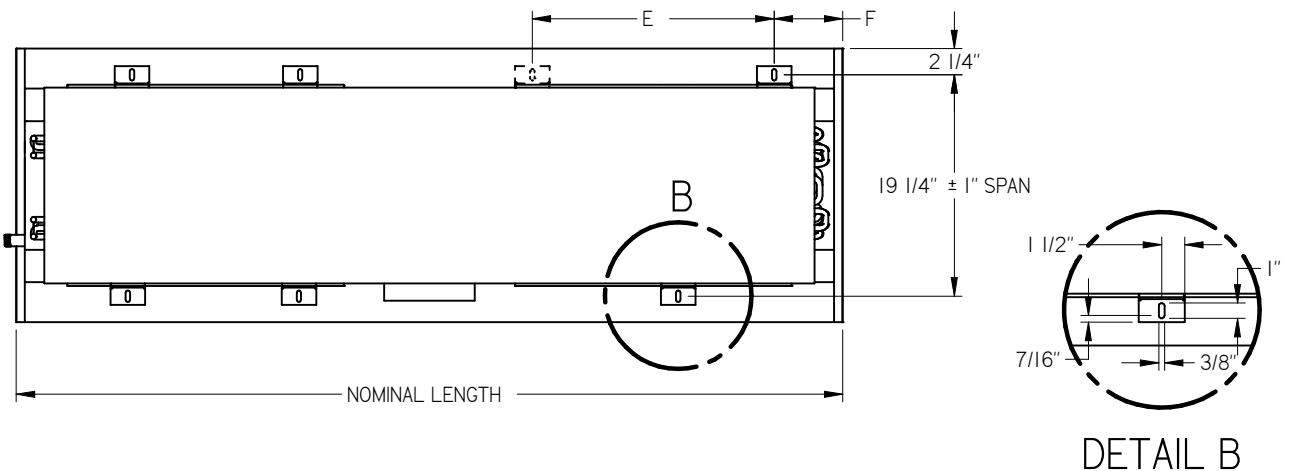
- FIX - FIXED BRACKET (DEFAULT)
- DIN - ADJUSTABLE BRACKET

FIXED MOUNTING BRACKET SHOWN



FIXED BRACKET AMOUNT PER LENGTH							
	NOMINAL LENGTH						
	24"	36"	48"	60"	72"	84"	96"
QTY	4	8	4	4	8	8	12
BRACKET LENGTH (C)	2 1/2"	6"	11"	11"	23"	23"	35"
LENGTH (D)	4	4	5 7/16"	5 7/16"	5 7/16"	5 7/16"	5 7/16"

ADJUSTABLE MOUNTING BRACKET SHOWN



ADJUSTABLE BRACKET AMOUNT PER LENGTH							
	NOMINAL LENGTH						
	24"	36"	48"	60"	72"	84"	96"
QTY	4	4	4	4	6	6	8
BRACKET TRAVEL LENGTH (E)	1/2"	4"	9"	9"	21"	21"	33"
LENGTH (F)	4 7/16"	4 7/16"	5 15/16"	5 15/16"	5 15/16"	5 15/16"	5 15/16"

PROJECT:

ENGINEER:

CUSTOMER:

SUBMITTAL DATE:

SPEC. SYMBOL:



DY

270582

2019/10/15

LIU24
LINEAR INDUCTION UNIT
24" WIDE

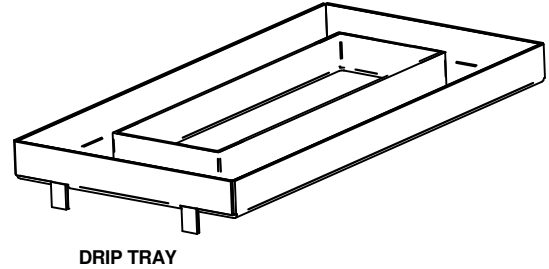
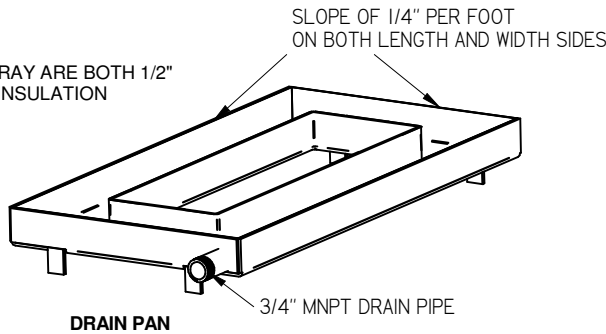
LINEAR INDUCTION UNIT 24" WIDE

CONDENSATE PAN:

- DP - DRAIN PAN
- DT - DRIP TRAY

NOTE:

• DRAIN PAN AND DRIP TRAY ARE BOTH 1/2" DEEP AND COVERED BY INSULATION

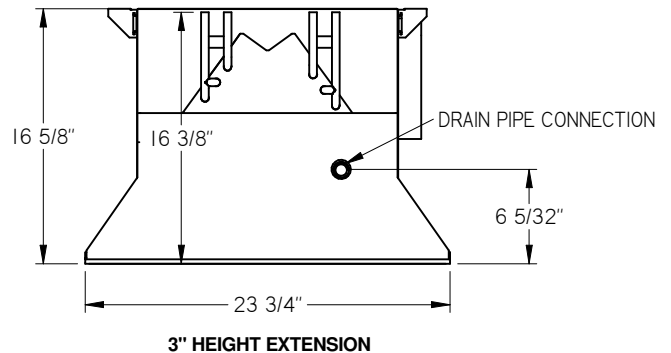
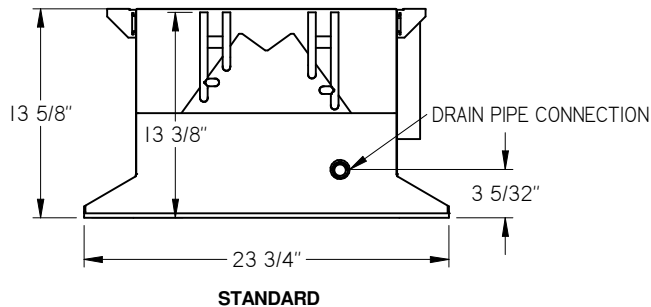


CONDENSATE PAN MATERIAL OPTIONS:

- GS - BLACK PAINTED GALV. STEEL (DEFAULT)
- SS - UNPAINTED STAINLESS STEEL

DRAIN PIPE ELEVATION:

- NONE - STANDARD (DEFAULT)
- 3IN - 3" DRAIN PIPE ELEVATION (INCREASE OVERALL HEIGHT BY 3 IN)

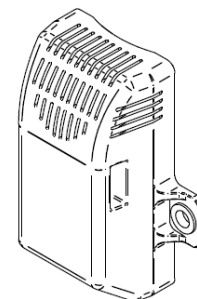


ACCESSORY OPTIONS (SHIPPED LOOSE):

- NONE (DEFAULT)
- FS - PLENUM RATED FLOAT SWITCH
- CS - CONDENSATE SENSOR (FOR DRIP TRAY ONLY)



PLENUM RATED FLOAT SWITCH



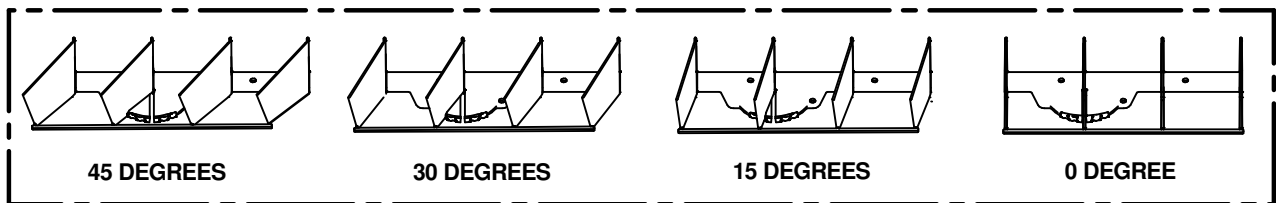
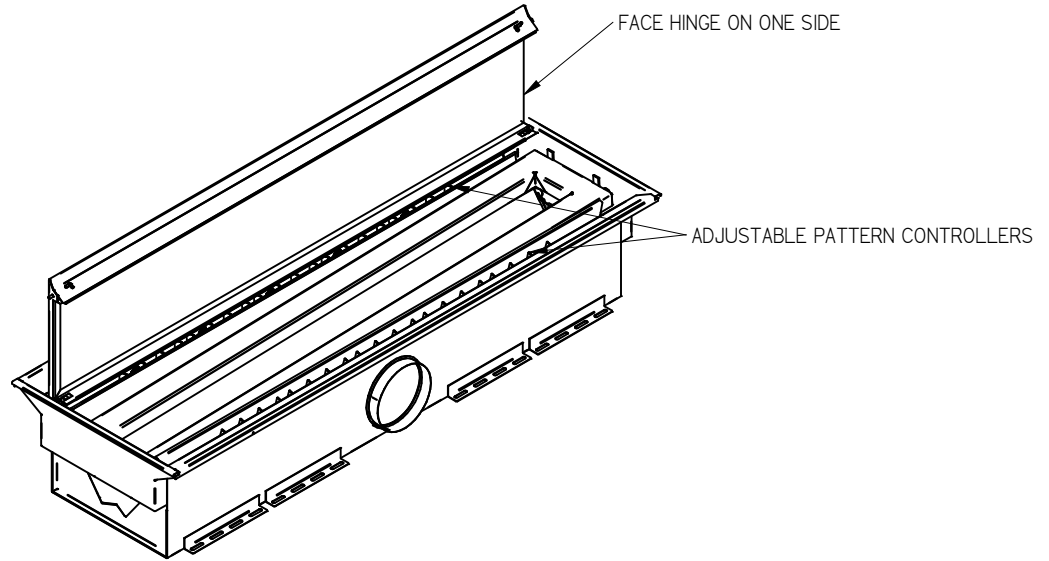
CONDENSATE SENSOR

PROJECT:		PRICE	
ENGINEER:		DY	LIU24 LINEAR INDUCTION UNIT 24" WIDE
CUSTOMER:		270582	
SUBMITTAL DATE:	SPEC. SYMBOL:	2019/10/15	

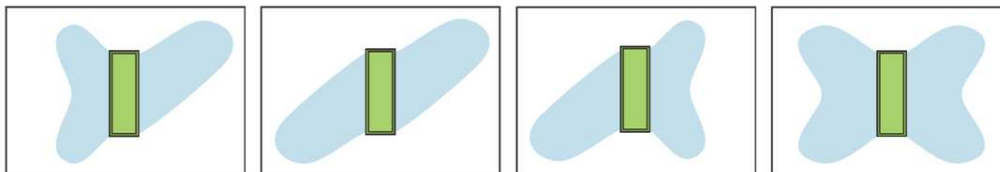
LINEAR INDUCTION UNIT 24" WIDE

PATTERN CONTROLLERS:

- NONE (DEFAULT)
- PC - ADJUSTABLE PATTERN CONTROLLERS
LOCATED IN DISCHARGE SLOT
(FIELD ADJUSTABLE, FACTORY SET AT
0 DEGREE DEFLECTION)



VARIOUS PATTERN CONFIGURATIONS, CONTACT APPLICATION ENGINEERING FOR ASSISTANCE

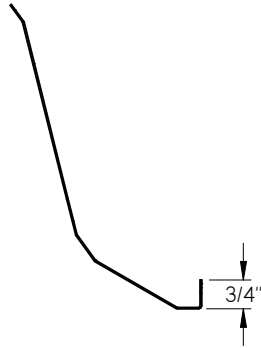


PROJECT:		PRICE [®]	
ENGINEER:		DY	LIU24 LINEAR INDUCTION UNIT 24" WIDE
CUSTOMER:		270582	
SUBMITTAL DATE:	SPEC. SYMBOL:	2019/10/15	

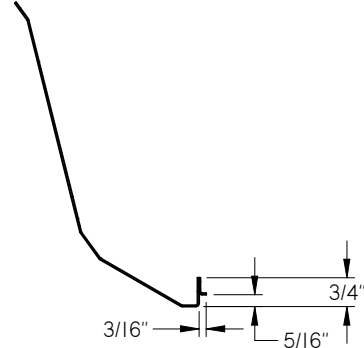
LINEAR INDUCTION UNIT 24" WIDE

BORDER OPTIONS:

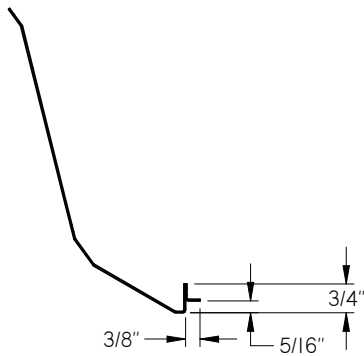
- NONE - STANDARD (DEFAULT)
- T9 - 9/16" TEGULAR
- T15 - 15/16" TEGULAR



STANDARD EDGE



9/16" TEGULAR EDGE



15/16" TEGULAR EDGE

PROJECT:



ENGINEER:

DY

CUSTOMER:

270582

SUBMITTAL DATE:

SPEC. SYMBOL:

2019/10/15

LIU24
LINEAR INDUCTION UNIT
24" WIDE

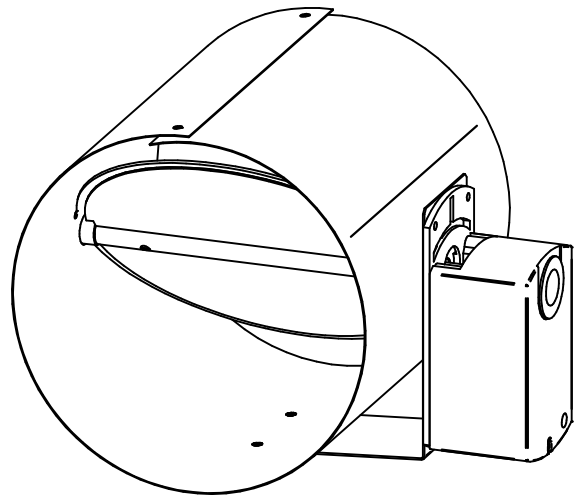
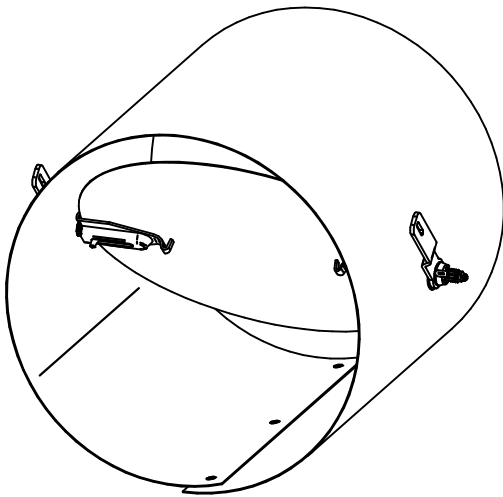
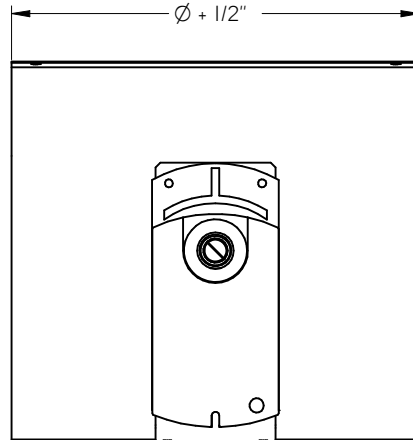
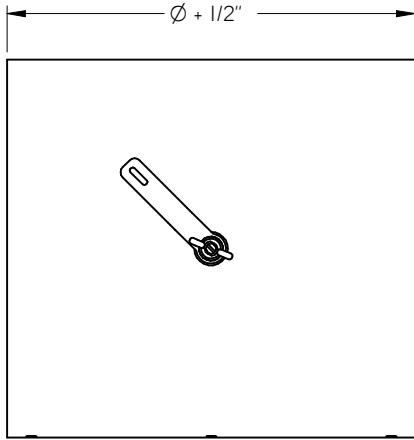
Solid Edge

LINEAR INDUCTION UNIT 24" WIDE

DAMPER OPTIONS (SHIPPED LOOSE):
 (DAMPERS SHOULD NOT BE MOUNTED DIRECTLY TO THE INLET AND SHOULD ONLY BE USED FOR TRIMMING AIRFLOW)

- NONE (DEFAULT)
- MQ5 - 5" DAMPER W/
MANUAL LOCKING QUADRANT
- MQ6 - 6" DAMPER W/
MANUAL LOCKING QUADRANT
- MQ8 - 8" DAMPER W/
MANUAL LOCKING QUADRANT

- VAV5 - 5" DAMPER W/ 24VAC
FLOATING POINT ACTUATOR
- VAV6 - 6" DAMPER W/ 24VAC
FLOATING POINT ACTUATOR
- VAV8 - 8" DAMPER W/ 24VAC
FLOATING POINT ACTUATOR



PROJECT:



ENGINEER:

DY

CUSTOMER:

270582

LIU24
 LINEAR INDUCTION UNIT
 24" WIDE

SUBMITTAL DATE:

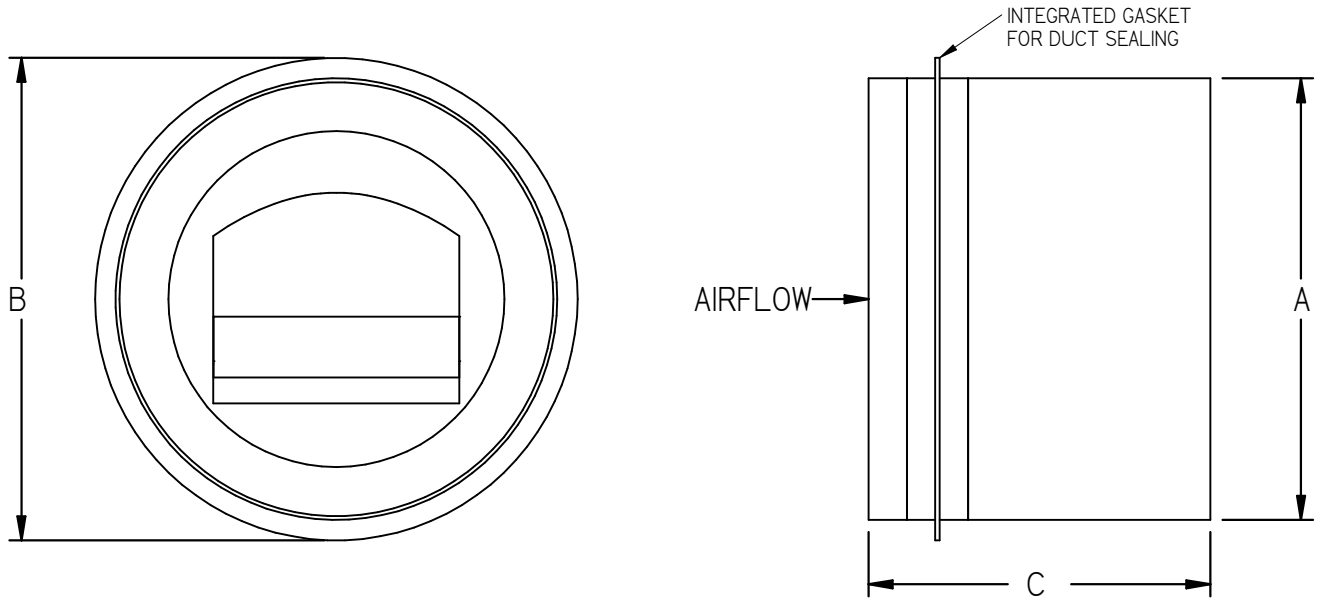
SPEC. SYMBOL:

2019/10/15

LINEAR INDUCTION UNIT 24" WIDE

VOLUME FLOW REGULATOR OPTIONS (SHIPPED LOOSE):

- | | | |
|--|--|--|
| <input type="checkbox"/> NONE (DEFAULT) | <input type="checkbox"/> VFR6-75 - 6" DUCT VFR, 75 CFM | <input type="checkbox"/> VFR8-125 - 8" DUCT VFR, 125 CFM |
| <input type="checkbox"/> VFR5-35 - 5" DUCT VFR, 35 CFM | <input type="checkbox"/> VFR6-90 - 6" DUCT VFR, 90 CFM | <input type="checkbox"/> VFR8-140 - 8" DUCT VFR, 140 CFM |
| <input type="checkbox"/> VFR5-50 - 5" DUCT VFR, 50 CFM | <input type="checkbox"/> VFR6-105 - 6" DUCT VFR, 105 CFM | <input type="checkbox"/> VFR8-160 - 8" DUCT VFR, 160 CFM |
| <input type="checkbox"/> VFR5-60 - 5" DUCT VFR, 60 CFM | <input type="checkbox"/> VFR6-125 - 6" DUCT VFR, 125 CFM | <input type="checkbox"/> VFR8-175 - 8" DUCT VFR, 175 CFM |
| <input type="checkbox"/> VFR5-75 - 5" DUCT VFR, 75 CFM | <input type="checkbox"/> VFR6-140 - 6" DUCT VFR, 140 CFM | <input type="checkbox"/> VFR8-205 - 8" DUCT VFR, 205 CFM |
| <input type="checkbox"/> VFR5-90 - 5" DUCT VFR, 90 CFM | <input type="checkbox"/> VFR6-160 - 6" DUCT VFR, 160 CFM | <input type="checkbox"/> VFR8-235 - 8" DUCT VFR, 235 CFM |
| <input type="checkbox"/> VFR5-105 - 5" DUCT VFR, 105 CFM | <input type="checkbox"/> VFR6-175 - 6" DUCT VFR, 175 CFM | <input type="checkbox"/> VFR8-265 - 8" DUCT VFR, 265 CFM |
| | | <input type="checkbox"/> VFR8-295 - 8" DUCT VFR, 295 CFM |



Duct Size	A	B	C	AIRFLOW SELECTIONS (CFM)
5" (125)	4.800	5.100	3.500	35, 50, 60, 75, 90, 105
6" (150)	5.800	6.100	3.500	75, 90, 105, 125, 140, 160, 175
8" (200)	7.600	8.100	3.500	125, 140, 160, 175, 205, 235, 265, 295

STANDARD CONSTRUCTION:

- BLACK ABS PLASTIC, UL94V-0 RATED
- UL2043 LISTED
- SIZED TO FIT INSIDE STANDARD RIGID ROUND DUCTING
- INTEGRATED GASKET FOR SEALING AGAINST INSIDE OF DUCT

PERFORMANCE:

- CONTROLS AIRFLOW WITHIN 10% OF RATED FLOW (15% FOR UNITS 50CFM OR LESS) FOR 0.2" TO 0.8" W.C.

PROJECT:		PRICE	
ENGINEER:		DY	LIU24 LINEAR INDUCTION UNIT 24" WIDE
CUSTOMER:		270582	
SUBMITTAL DATE:	SPEC. SYMBOL:	2019/10/15	