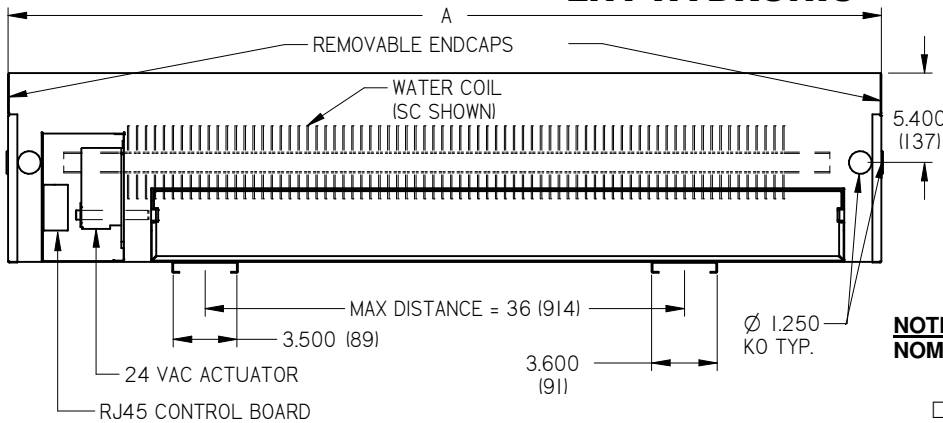


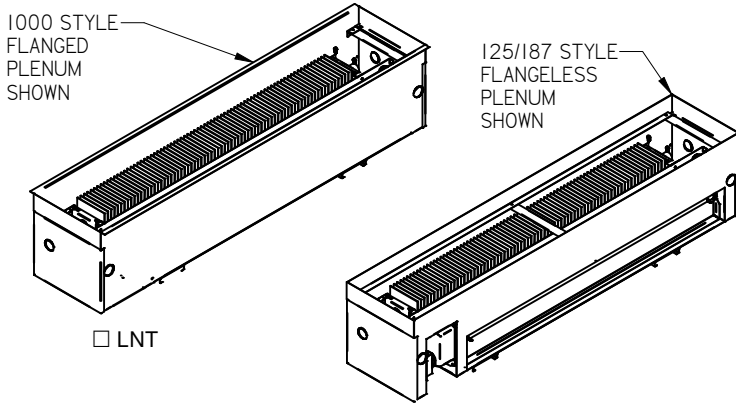
LNT HYDRONIC



ROUGH OPENING NOM L X W	LENGTH A	AIR VALVE SIZE
48 X 10 (1219 X 254)	47 7/8 (1216)	200, 300, 400 CFM
72 X 10 (1829 X 254)	71 7/8 (1826)	200, 300, 400, 600 CFM
96 X 10 (2438 X 254)	95 7/8 (2435)	400, 600, 800 CFM

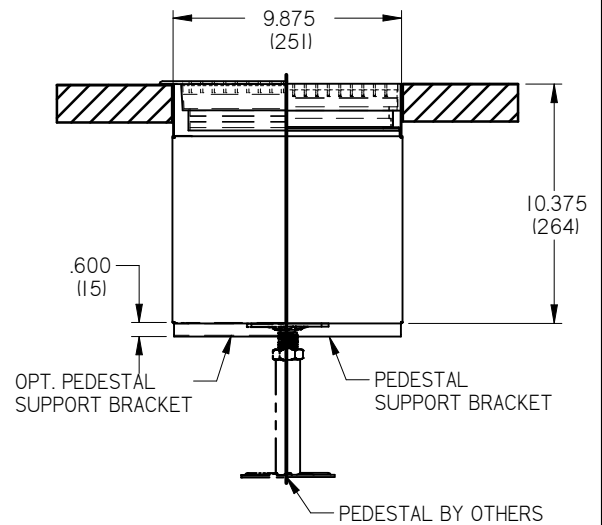
**NOTE: LFG MUST BE ORDERED SEPARATELY
NOMINAL GRILLE SIZE = L-0.250"(6) X 9.750"(248)**

1000 STYLE 125/187 STYLE



LNT

LNT W/ AIR VALVE



NOTE:

- LNT WITH LFG INSTALLED IS DESIGNED TO WITHSTAND LIGHT FOOT TRAFFIC
- PEDESTAL BRACKETS SUPPLIED & MOUNTED BY PRICE
- PEDESTAL & PEDESTAL HEAD SUPPLIED BY OTHERS
- 1" NOM. COIL CONNECTIONS

PLENUM:

- 20 GAUGE STEEL CONSTRUCTION
- BLACK FINISH
- DROP-IN INSTALLATION FROM ABOVE FLOOR
- COMES WITH REMOVABLE ENDCAPS FOR CONTINUOUS & DISCRETE GRILLE INSTALLATIONS

DAMPER CONTROL:

- 24 VAC FLOATING POINT ACTUATOR
- RJ45 CONTROL BOARD WITH PLENUM RATED CONTROL CABLE

PEDESTAL BRACKETS OPTION (REQUIRED FOR PDS):

- PEDESTAL BRACKETS
 - 2 FOR 48X10 UNITS
 - 3 FOR 72X10 UNITS
 - 4 FOR 96X10 UNITS

ACOUSTIC LINER:

- 1/2" INTERNAL FIBER FREE LINER (3LB DENSITY MIN.)

CFLEX CONTROL CABLE (PURPLE):

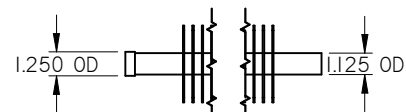
- 15P - 15 FT. STRANDED
- 25P - 25 FT. STRANDED
- 35P - 35 FT. STRANDED

WATER COIL TYPE:

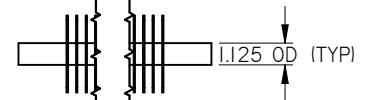
- HC - HIGH CAPACITY FIN PACK
- SC - STANDARD CAPACITY FIN TUBE

SC COIL CONNECTION TYPE:

- ONE END SWAGED (OTHER END STRAIGHT)



1" NOM DIA. STRAIGHT ENDS



1" NOM THREADED MPT CONNECTION

HC COIL CONNECTION TYPE:

- 1" NOM DIA. STRAIGHT ENDS
- 1" NOM THREADED MPT CONNECTION

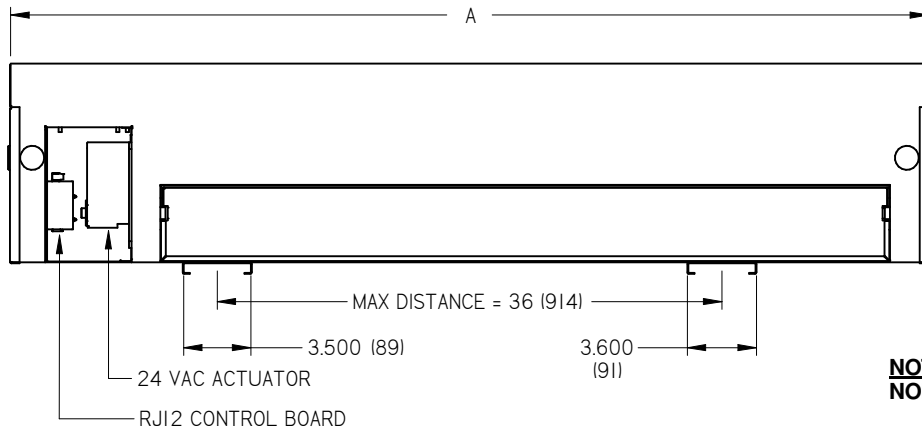


Intertek

ALL METRIC DIMENSIONS () ARE SOFT CONVERTED. IMPERIAL DIMENSIONS ARE CONVERTED TO METRIC AND ROUNDED TO THE NEAREST MILLIMETER.

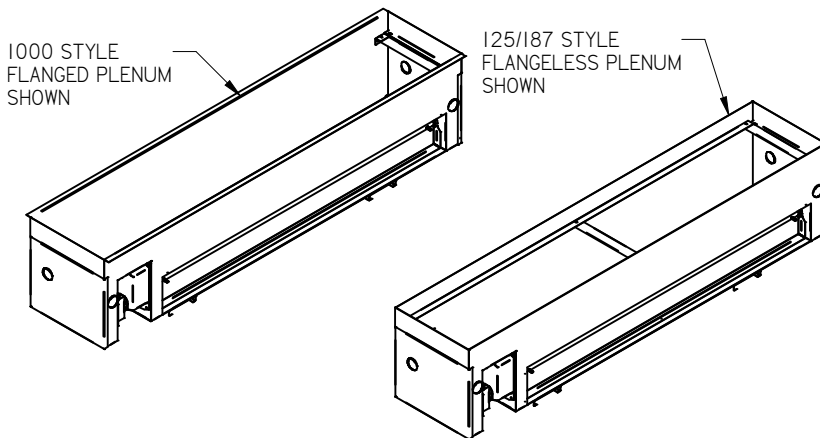
PROJECT:		 LNT LNT HYDRONIC
ENGINEER:		
CUSTOMER:		
SUBMITTAL DATE:		
SPEC. SYMBOL:		NS 271107 2019/06/17

LNT NO COIL

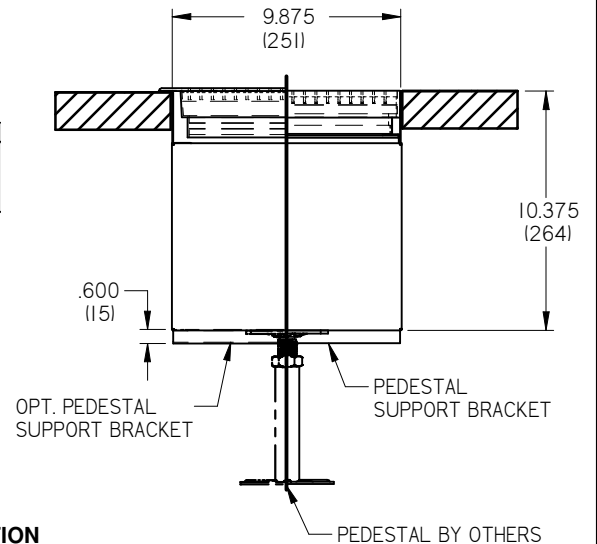


ROUGH OPENING NOM L X W	LENGTH A	AIR VALVE SIZE
24 X 10 (610 X 254)	23 7/8 (606)	100 CFM
48 X 10 (1219 X 254)	47 7/8 (1216)	200, 300, 400 CFM
72 X 10 (1829 X 254)	71 7/8 (1826)	200, 300, 400, 600 CFM
96 X 10 (2438 X 254)	95 7/8 (2435)	400, 600, 800 CFM

**NOTE: LFG MUST BE ORDERED SEPARATELY
NOMINAL GRILLE SIZE = L-0.250"(6) X 9.750"(248)**



1000 STYLE 125/187 STYLE



NOTE:

- LNT WITH LFG INSTALLED IS DESIGNED TO WITHSTAND LIGHT FOOT TRAFFIC
- PEDESTAL BRACKETS SUPPLIED & MOUNTED BY PRICE
- PEDESTAL & PEDESTAL HEAD SUPPLIED BY OTHERS

PLENUM:

- 20 GAUGE STEEL CONSTRUCTION
- BLACK FINISH
- DROP-IN INSTALLATION FROM ABOVE FLOOR
- COMES WITH REMOVABLE ENDCAPS FOR CONTINUOUS & DISCRETE GRILLE INSTALLATIONS

DAMPER CONTROL:

- 24 VAC FLOATING POINT ACTUATOR
- RJ12 CONTROL BOARD WITH PLENUM RATED CONTROL CABLE

PEDESTAL BRACKETS OPTION (REQUIRED FOR PDS):

- PEDESTAL BRACKETS
 - 2 FOR 24X10 & 48X10 UNITS
 - 3 FOR 72X10 UNITS
 - 4 FOR 96X10 UNITS

ACOUSTIC LINER:

- 1/2" INTERNAL FIBER FREE LINER (3LB DENSITY MIN.)

CFLEX CONTROL CABLE (GREEN):

- 15G - 15 FT. STRANDED
- 25G - 25 FT. STRANDED
- 35G - 35 FT. STRANDED

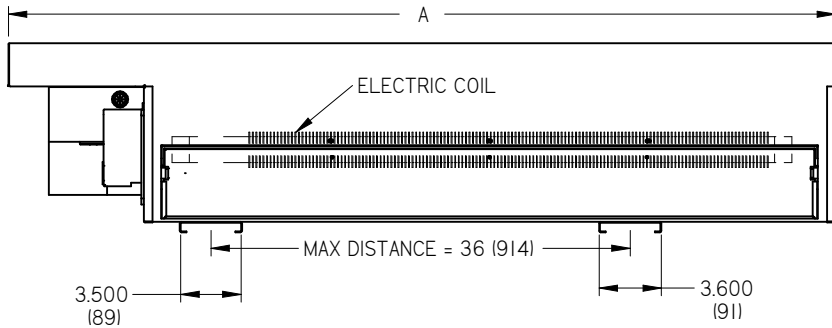


Intertek

ALL METRIC DIMENSIONS () ARE SOFT CONVERTED. IMPERIAL DIMENSIONS ARE CONVERTED TO METRIC AND ROUNDED TO THE NEAREST MILLIMETER.

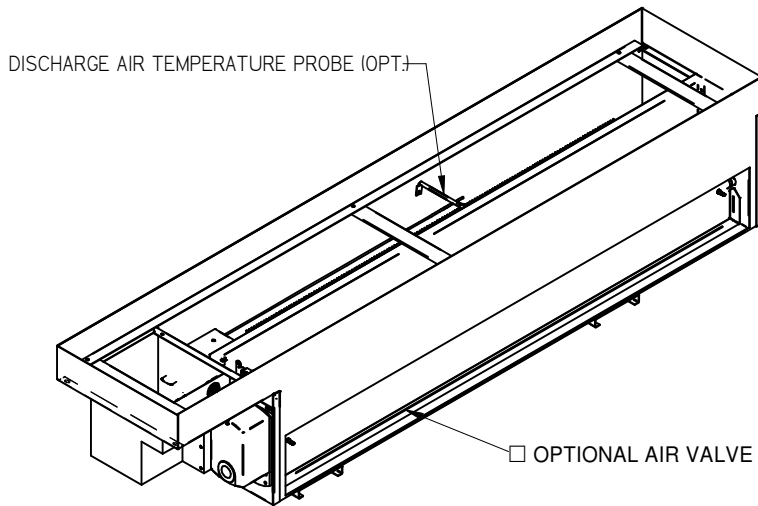
PROJECT:		PRICE
ENGINEER:		
CUSTOMER:		LNT NO COIL
SUBMITTAL DATE:	SPEC. SYMBOL:	271134
		06/18/2019

LNT ELECTRIC

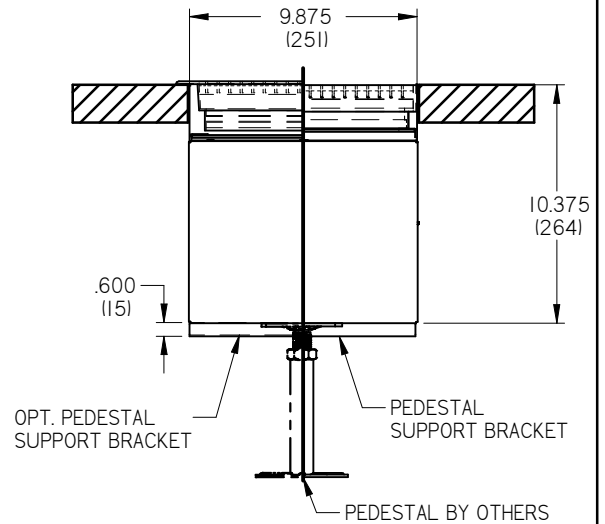


ROUGH OPENING NOM L X W	LENGTH A	AIR VALVE SIZE
48 X 10 (1219 X 254)	47 7/8 (1216)	200, 300, 400 CFM
72 X 10 (1829 X 254)	71 7/8 (1826)	200, 300, 400 CFM
96 X 10 (2438 X 254)	95 7/8 (2435)	400, 600, 800 CFM

**NOTE: LFG MUST BE ORDERED SEPARATELY
NOMINAL GRILLE SIZE = L-0.250"(6) X 9.750"(248)**



- 1000 STYLE
- 125/187 STYLE



NOTE:

- LNT WITH LFG INSTALLED IS DESIGNED TO WITHSTAND LIGHT FOOT TRAFFIC
- PEDESTAL BRACKETS SUPPLIED & MOUNTED BY PRICE
- PEDESTAL & PEDESTAL HEAD SUPPLIED BY OTHERS

PEDESTAL BRACKETS OPTION (REQUIRED FOR PDS):

- PEDESTAL BRACKETS
 - 2 FOR 48X10 UNITS
 - 3 FOR 72X10 UNITS
 - 4 FOR 96X10 UNITS

ACOUSTIC LINER:

- 1/2" INTERNAL FIBER FREE LINER (3LB DENSITY MIN.)

CFLEX CONTROL CABLE (PURPLE):

- 15P - 15 FT. STRANDED
- 25P - 25 FT. STRANDED
- 35P - 35 FT. STRANDED

COIL TYPE:

- STG - SINGLE STAGE HEAT (ON-OFF)
- SCR - SILICON CONTROLLED RECTIFIER (0-10VDC)

SCR DAT CONTROL:

- DAT - DISCHARGE AIR TEMP PROBE

HEATER ELEMENT:

- 120/1/60 ELECTRICAL
- 277/1/60 ELECTRICAL
- FINNED STRIP HEATER, MULTIPLE ELEMENTS MAY BE SUPPLIED ON LONGER UNITS
- TRANSFORMERS & DISCONNECT SWITCH INCLUDED IN ASSEMBLY

HIGH VOLT CABLE OPTIONS:

REFERENCE PAGE 2

PLENUM:

- 20 GAUGE STEEL CONSTRUCTION
- BLACK FINISH
- DROP-IN INSTALLATION FROM ABOVE FLOOR
- COMES WITH REMOVABLE ENDCAPS FOR CONTINUOUS & DISCRETE GRILLE INSTALLATIONS

DAMPER CONTROL:

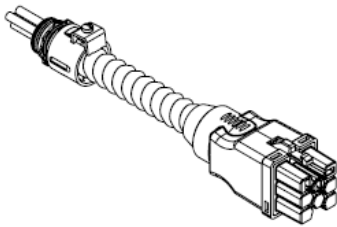
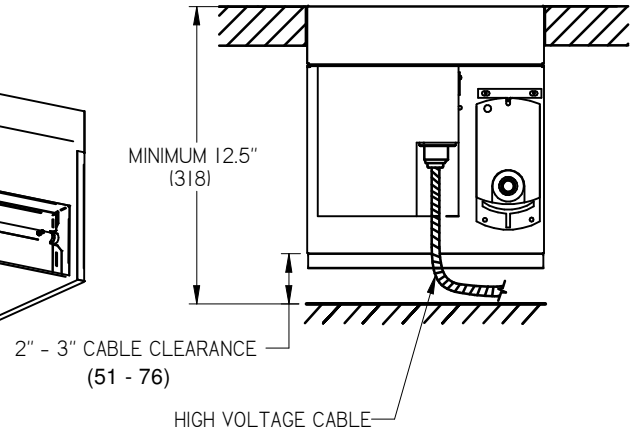
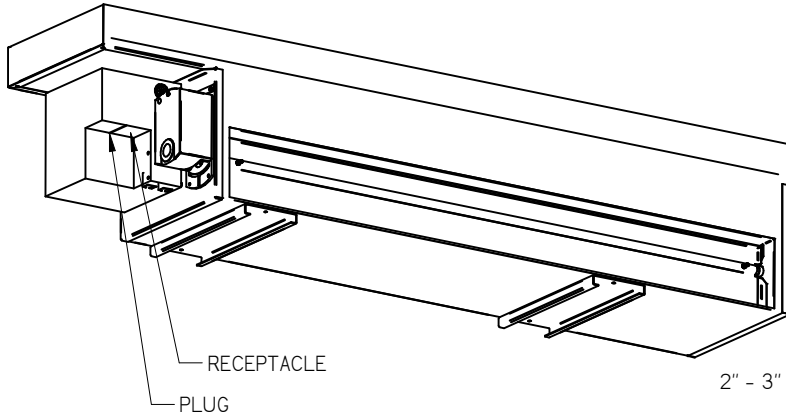
- 24 VAC FLOATING POINT ACTUATOR
- RJ45 CONTROL BOARD WITH PLENUM RATED CONTROL CABLE



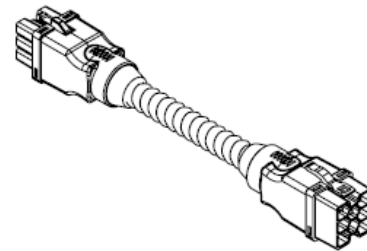
ALL METRIC DIMENSIONS () ARE SOFT CONVERTED. IMPERIAL DIMENSIONS ARE CONVERTED TO METRIC AND ROUNDED TO THE NEAREST MILLIMETER.

PROJECT:		 LNT LNT ELECTRIC
ENGINEER:		
CUSTOMER:		
SUBMITTAL DATE:	SPEC. SYMBOL:	
		NS 271164 07/02/2019

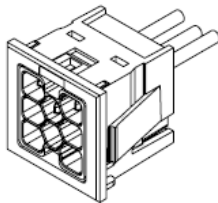
**LNT ELECTRIC
HIGH VOLTAGE CABLE OPTIONS**



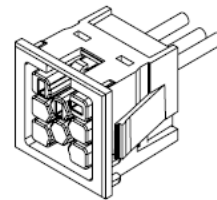
STARTER CABLE



EXTENDER CABLE



RECEPTACLE



PLUG

NOTE:

- 2" - 3" (51 - 76) CABLE CLEARANCE REQUIRED BELOW THE BOTTOM OF THE PLENUM
- EACH PLENUM COMES WITH ONE RECEPTACLE AND ONE PLUG

SUPPLY POWER:

- 115/24 VAC
- 277/24 VAC

HIGH VOLTAGE MODULAR CABLES(OPTIONAL):

- STARTER CABLE, 20FT EXTENDER CABLE, 20FT
- STARTER CABLE, 40FT EXTENDER CABLE, 40FT
- STARTER CABLE, 60FT EXTENDER CABLE, 60FT



Intertek

ALL METRIC DIMENSIONS () ARE SOFT CONVERTED. IMPERIAL DIMENSIONS ARE CONVERTED TO METRIC AND ROUNDED TO THE NEAREST MILLIMETER.

PROJECT:		PRICE	LNT LNT ELECTRIC
ENGINEER:			
CUSTOMER:		271164	
SUBMITTAL DATE:	SPEC. SYMBOL:	07/02/2019	