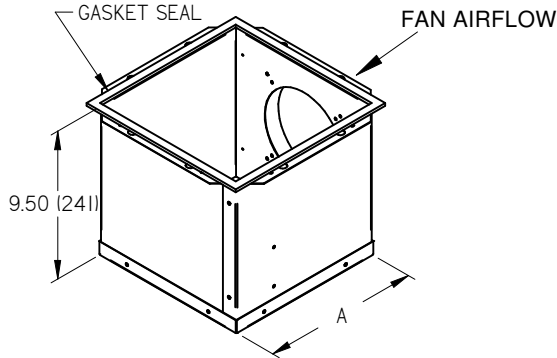
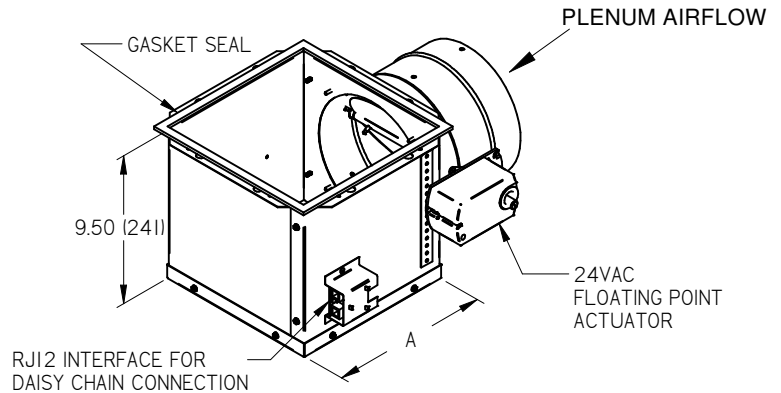


MFB - MODULAR FLOOR BOOT (DUCTED APPLICATIONS ONLY)

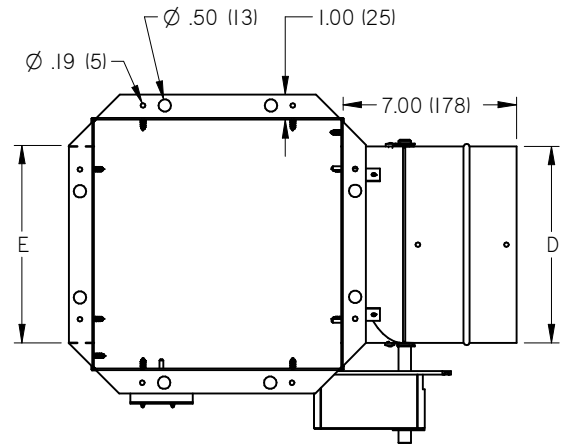
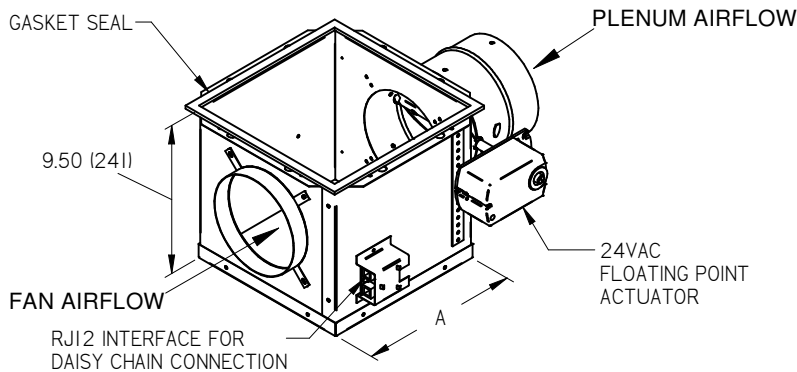
F - FAN SOURCED



VC - VAV COOLING



HC - HEATING/RETURN & VAV COOLING



PLENUM BOOT SIZE:

BOOT SIZE	SIDE LENGTH A
<input type="checkbox"/> 8B	10.00 (254)
<input type="checkbox"/> 10B	12.00 (305)

PLENUM INLET (VC, HC):

NOMINAL DUCT SIZE	INLET D
<input type="checkbox"/> 6 (152)	5.88 (149)
<input type="checkbox"/> 8 (203)	7.88 (200)

FAN INLET (F, HC):

NOMINAL DUCT SIZE	INLET E
<input type="checkbox"/> 6 (152)	5.88 (149)
<input type="checkbox"/> 8 (203)	7.88 (200)

BOOT STYLE:

- F - FAN SOURCED
- VC - VAV COOLING
- HC - HEATING/RETURN & VAV COOLING

NOTES:

- 22GA. ZINC COATED STEEL HOUSING - MECHANICALLY SEALED
- DESIGNED TO FIT 8" AND 10" MODULAR FLOOR DIFFUSERS (DUCTED APPLICATIONS ONLY)
- COMPLETE WITH CFLEX PLENUM RATED CONTROL CABLE (BOTH ENDS TERMINATED W/ MODULAR PLUGS) (VC & HC ONLY)
- RJ12 INTERFACE FOR DAISY CHAIN CONNECTION (VC & HC ONLY)

CONTROL CABLE OPTION (VC & HC ONLY):

- CFLEX CABLE - ONE END TERMINATED WITH A MODULAR PLUG OTHER END STRIPPED FOR TERMINAL BLOCK INSTALLATION

ACOUSTIC LINER (OPTIONAL)

- FG50 - 1/2" DUAL DENSITY FIBERGLASS INSULATION
- FF50 - 1/2" FIBER-FREE (3LB DENSITY MIN.) INSULATION

MOUNTING FLANGE (OPTIONAL)

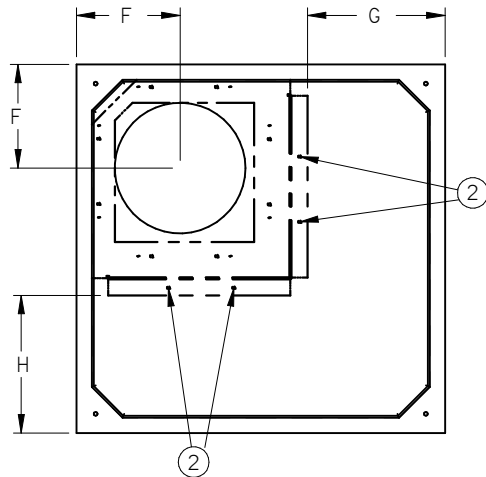
- TC - TATE CONCORE TYPE MOUNTING FLANGE
- SPL - SPECIAL FLANGE REQUIRED

ALL METRIC DIMENSIONS () ARE SOFT CONVERTED. IMPERIAL DIMENSIONS ARE CONVERTED TO METRIC AND ROUNDED TO THE NEAREST MILLIMETER.

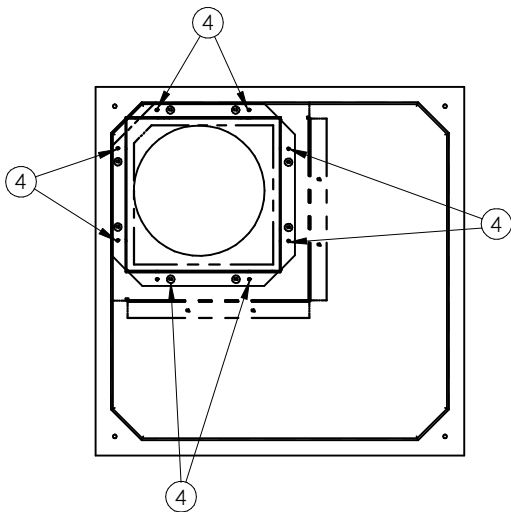
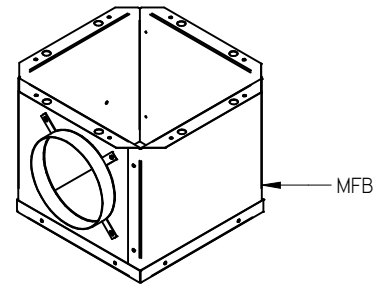
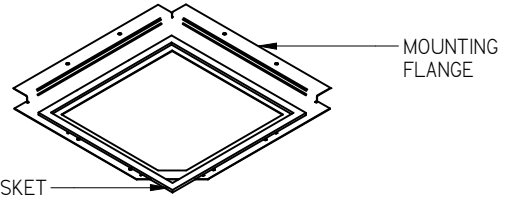
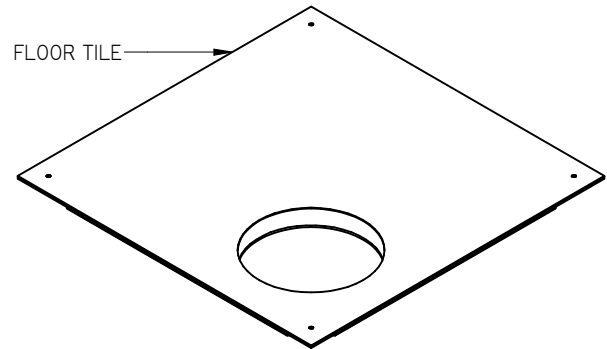
PROJECT:		PRICE
ENGINEER:		
CUSTOMER:		NS
SUBMITTAL DATE:		MFB
SPEC. SYMBOL:		MODULAR FLOOR BOOT DUCTED APPLICATIONS
		267943
		2017/02/22

MFB - MODULAR FLOOR BOOT (DUCTED APPLICATIONS ONLY)

INSTALLATION INSTRUCTIONS (ONLY FOR TATE TILES)



1. CUT HOLE IN TILE (HOLE MUST BE LOCATED AS SHOWN)
2. FASTEN THE FLANGE ON THE FLOOR TILE BY SCREWING THROUGH THE OUTER HOLE LABELED 2. THE GASKET WILL COVER THE HOLES. ENSURE THAT SELF-DRILLING SCREWS ARE USED
3. PLACE MFB OVER FLANGE IN WITH SMALL HOLES ALIGNED; THE LARGE HOLES PROVIDE CLEARANCE FOR THE FASTENER USED IN STEP 2
4. FASTEN MFB TO MOUNTING FLANGE AND FLOOR TILE BY SCREWING THROUGH HOLES LABELED 4.



PLENUM BOOT SIZE				
BOOT SIZE	SIDE LENGTH (A)	TILE CENTER (F)	SIDE LENGTH (G)	SIDE LENGTH (H)
8B	10.000 (254)	6.750 (171)	8.960 (228)	8.960 (228)
10B	12.000 (305)	8.000 (203)	4.710 (120)	4.710 (120)

ALL METRIC DIMENSIONS () ARE SOFT CONVERTED. IMPERIAL DIMENSIONS ARE CONVERTED TO METRIC AND ROUNDED TO THE NEAREST MILLIMETER.

PROJECT:

ENGINEER:

CUSTOMER:

SUBMITTAL DATE:

SPEC. SYMBOL:

PRICE

NS

267943

2017/02/22

MFB

**MODULAR FLOOR BOOT
DUCTED APPLICATIONS**