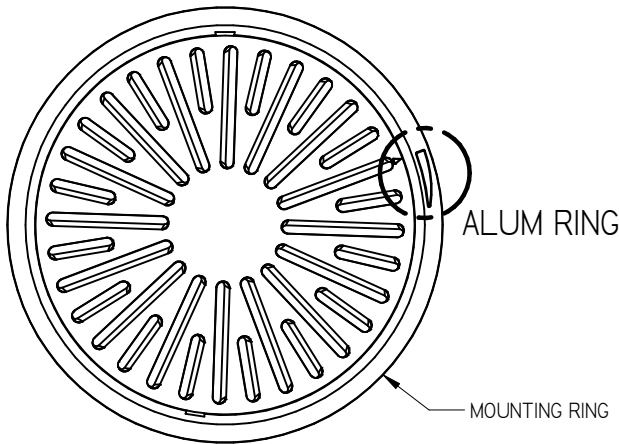
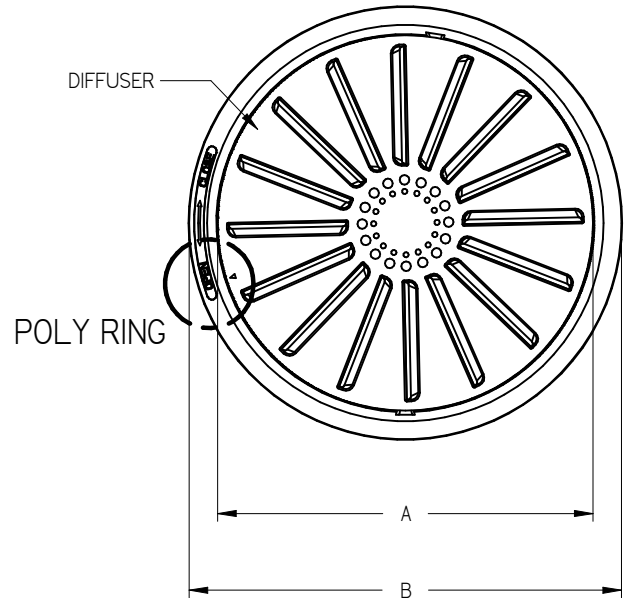


MFD - MODULAR FLOOR DIFFUSER

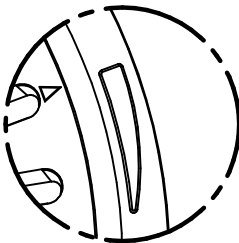
TP - TWIST PATTERN



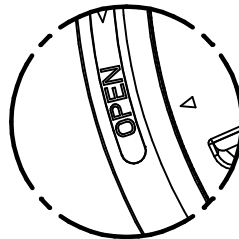
DP - DISPLACEMENT PATTERN



AIRFLOW POSITION INDICATOR DETAIL:



ALUM RING



POLY RING

DIFFUSER & MOUNTING RING DIMENSIONS:

SIZE	DIFFUSER FACE		MOUNTING RING		FLOOR TILE PRECISION OPENING
	A		B		C (PAGE 2)
	ALUM	POLY	ALUM	POLY	ALUM & POLY
8R	Ø7.90 (201)	Ø7.82 (199)	Ø9.08 (231)	Ø9.03 (229)	Ø8.50 $\frac{+1.25}{-0.00}$ (216 +3/-0)
10R	Ø9.90 (251)	N/A	Ø11.08 (282)	N/A	Ø10.50 $\frac{+1.25}{-0.00}$ (267 +3/-0)

DIFFUSER MATERIAL & FINISH OPTIONS:

- ALUM - ALUMINUM CONSTRUCTION (8" OR 10")
 - FA = FINISHED ALUMINUM
 - GRY-AL = GREY POWDER COAT
 - BLK-AL = BLACK POWDER COAT
 - MB-AL = MEDIUM BRONZE POWDER COAT
 - LB-AL = LIGHT BRONZE POWDER COAT
 - SPL = SPECIAL FINISH
- POLY - POLYMER CONSTRUCTION (8" ONLY)
 - DG = DUSTY GREY
 - BLK = BLACK
 - SPL = SPECIAL FINISH

DIFFUSER STYLE:

- TP - TWIST PATTERN
- DP - DISPLACEMENT PATTERN



FASTENING OPTIONS:

- RING PRESS-FIT (RPF) GASKET (STANDARD)
- ZIP-CLIP (ZC) w/ RPF (SET OF 3)

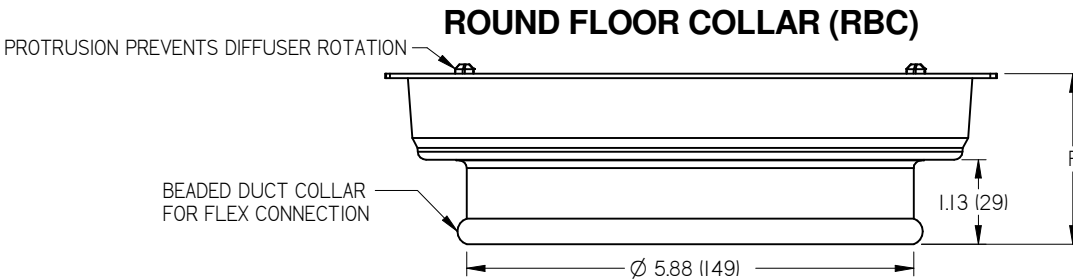
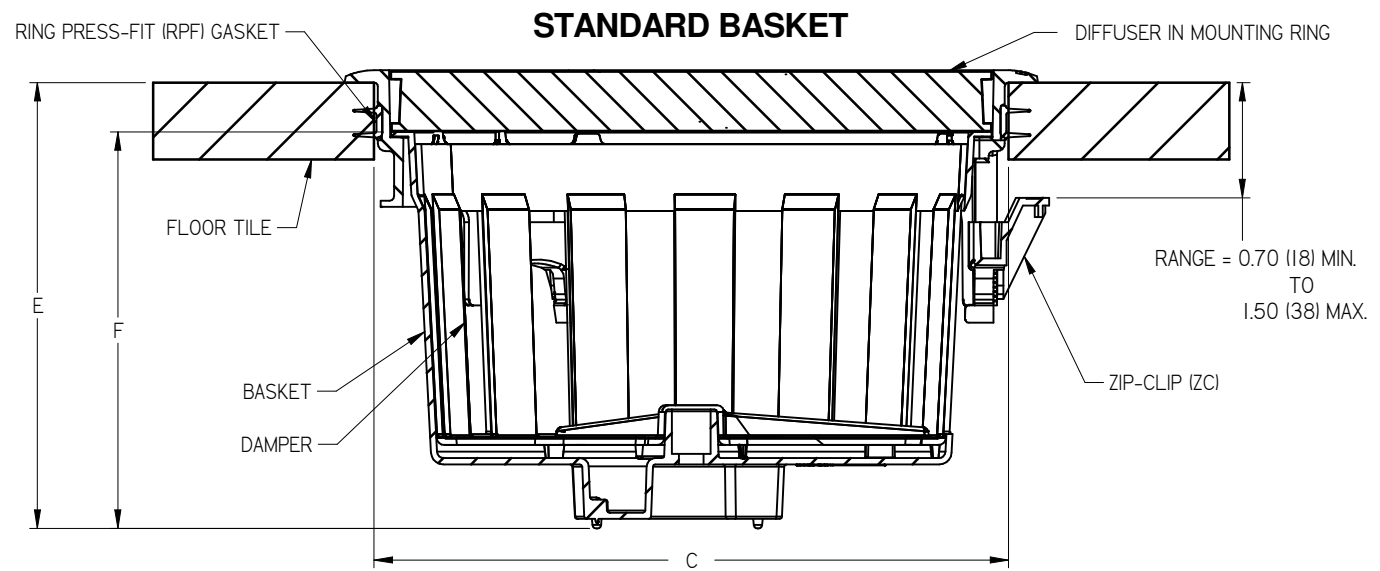
NOTES:

- COMPONENTS SHIPPED ASSEMBLED
- NFPA 90B COMPLIANT
- TABS ON MOUNTING RING SECURE DIFFUSER FACE
- POLYMER IS FIRE RATED (UL 94/2043)

ALL METRIC DIMENSIONS () ARE SOFT CONVERTED. IMPERIAL DIMENSIONS ARE CONVERTED TO METRIC AND ROUNDED TO THE NEAREST MILLIMETER.

PROJECT:		 MFD MODULAR FLOOR DIFFUSER
ENGINEER:		
CUSTOMER:		
SUBMITTAL DATE:	SPEC. SYMBOL:	
		 267746 2017/02/14

MFD - MODULAR FLOOR DIFFUSER



BASKET OPTIONS:

	STYLE	E	F	DESCRIPTION
<input type="checkbox"/>	DBA	5.85 (149)	5.25 (133)	STANDARD BASKET W/ FACE ADJUSTABLE DAMPER
<input type="checkbox"/>	DB	5.85 (149)	5.25 (133)	STANDARD BASKET W/ DAMPER
<input type="checkbox"/>	B	5.85 (149)	5.25 (133)	STANDARD BASKET
<input type="checkbox"/>	DBV	7.20 (183)	6.50 (165)	VAV BASKET (SUBMITTAL 243333)
<input type="checkbox"/>	DBV-HP*	7.20 (183)	6.50 (165)	VAV BASKET - HIGH PERFORMANCE (SUBMITTAL 243333)
<input type="checkbox"/>	DBAS*	2.75 (70)	2.00 (51)	SHORT BASKET W/ FACE ADJUSTABLE DAMPER
<input type="checkbox"/>	DBS*	2.75 (70)	2.00 (51)	SHORT BASKET W/ DAMPER
<input type="checkbox"/>	BS*	2.75 (70)	2.00 (51)	SHORT BASKET
<input type="checkbox"/>	RBC*	3.00 (76)	2.25 (57)	ROUND FLOOR COLLAR (FOR DUCTED APPLICATIONS ONLY)
<input type="checkbox"/>	BOP*	2.30 (58)	1.65 (42)	BLANK-OFF PLATE
<input type="checkbox"/>	NONE	N/A	N/A	DIFFUSER & MOUNTING RING ONLY

* DBV-HP, DBAS, DBS, BS, RBC, BOP STYLE ONLY AVAILABLE WITH 8" DIFFUSERS

* DBAS, DBS, BS STYLE INCLUDE SLOTS ON SIDE AND BOTTOM

NOTES:

- COMPONENTS SHIPPED ASSEMBLED
- BASKET MATERIAL - BLACK FIRE RATED (UL 94/2043) POLYMER
- INTERNAL ADJUSTABLE MINIMUM AIRFLOW STOP (0 - 50%) (DB, DBA, DBS, DBAS ONLY)

ALL METRIC DIMENSIONS () ARE SOFT CONVERTED. IMPERIAL DIMENSIONS ARE CONVERTED TO METRIC AND ROUNDED TO THE NEAREST MILLIMETER.



Intertek

PROJECT:		PRICE
ENGINEER:		
CUSTOMER:		MFD
SUBMITTAL DATE:		MODULAR FLOOR DIFFUSER
SPEC. SYMBOL:		