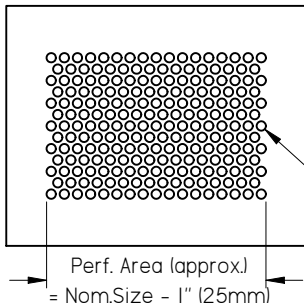
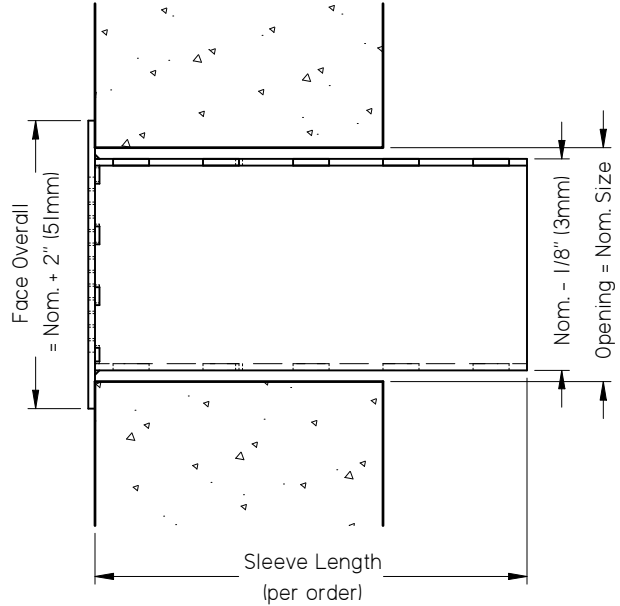
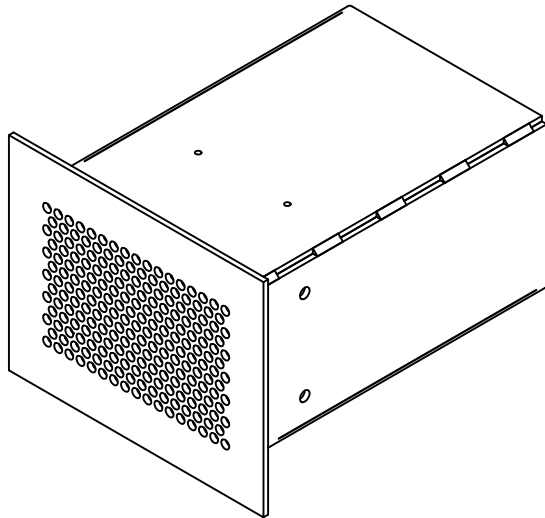


MSPG - Perforated Face Security Grille



Perforated holes on staggered centers

MATERIAL:

- Steel
- Aluminum (minimum security, 10ga. only)
- Stainless Steel (10ga. only)

AVAILABLE SIZES:

- Minimum size 6" x 6" (152mm x 152mm)
- Maximum 30" x 30" (762mm x 762mm)
- Fractional sizes available

FACE PLATE:

- FP187 - 3/16" (5mm)
- FP10 - 10 ga.
- FP12 - 12 ga.

PATTERN:

- P1 - 5/16" (8mm) Holes on 7/16" (11mm) x 60° staggered centers
- P2 - 3/16" (5mm) Holes on 5/16" (8mm) x 60° staggered centers (not available with FP187 face plate)
- P3 - 1/4" (6mm) Holes on 3/8" (10mm) x 60° staggered centers
- P4 - 7/16" (11mm) Holes on 11/16" (17mm) x 60° staggered centers

SLEEVE:

- Minimum length:
 - 6" (152mm) with mounting angles or masonry rods
 - 2" (51mm) with CS12 fastening
 - 4" (102mm) with VCS3BF damper
 - 6" (152mm) with barrier bars
 - 8" (203mm) with barrier bars and wire mesh
- Maximum length 26" (660mm)
- Sleeve length approximately 4" (102mm) larger than wall thickness is recommended to allow for mounting angles and duct connection
- SLEEVE GAUGE:
 - S187 - 3/16" (5mm)
 - S10 - 10 ga.
 - S12 - 12 ga.
- WELDS:
 - Stitch welded (standard)
 - CWS - Continuously welded seams

STANDARD FINISH:



- B12 - Standard White (for steel & aluminum construction)
- 2B - Mill Stainless Steel (for stainless steel construction)

OPTIONAL FINISHES:

(For steel & aluminum construction. Leadtime, pricing may vary)

- B11 - Bright White
- B15 - Metallic Gray
- B17 - Black
- PC12 - Prime Coat

ALL METRIC DIMENSIONS () ARE SOFT CONVERTED. IMPERIAL DIMENSIONS ARE CONVERTED TO METRIC AND ROUNDED TO THE NEAREST MILLIMETER.

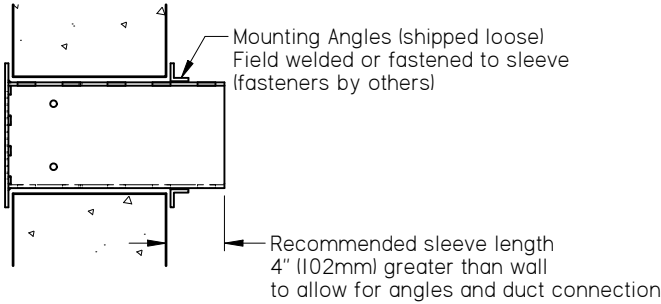
PROJECT:		
ENGINEER:		
CUSTOMER:		 271259
SUBMITTAL DATE:	SPEC. SYMBOL:	2020-02-21

**MSPG
PERFORATED FACE
SECURITY GRILLE**

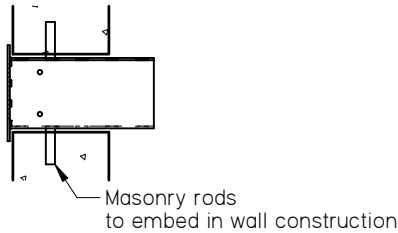
MSPG - Perforated Face Security Grille

FASTENING OPTIONS:

- MF1 - 1" x 1" x 3/16" (25mm x 25mm x 5mm) angle frame
 - MF2 - 1 1/2" x 1 1/2" x 3/16" (38mm x 38mm x 5mm) angle frame
 - MF3 - 1" x 1" x 1/8" (25mm x 25mm x 3mm) angle frame
 - MF4 - 1 1/2" x 1 1/2" x 1/8" (38mm x 38mm x 3mm) angle frame
- (MF2 / MF3 / MF4 not available with aluminum or stainless steel construction)



- MR6 - 3/4" x 3" (19mm x 76mm) Masonry rods, welded 3" (76mm) from face (not available with aluminum or stainless construction)

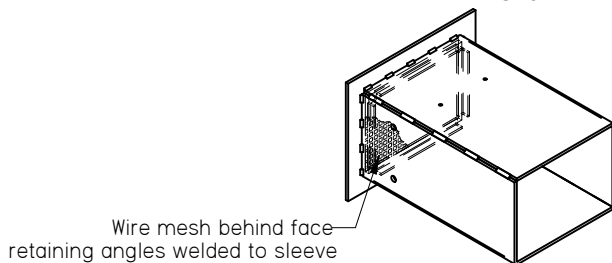


- Countersunk holes in face with #12 x 2" (51mm) screws:
 - CS12-SPNR - plated spanner head tamperproof
 - CS12-TORX - plated tamper resistant Torx
 - CS12-SPNR-SS - stainless spanner head tamperproof
 - CS12-TORX-SS - stainless tamper resistant Torx

• Screwdriver bits, handles, and replacement screws for CS fastening options may be ordered under MISC-GRD model code.

WIRE MESH (OPTIONAL):

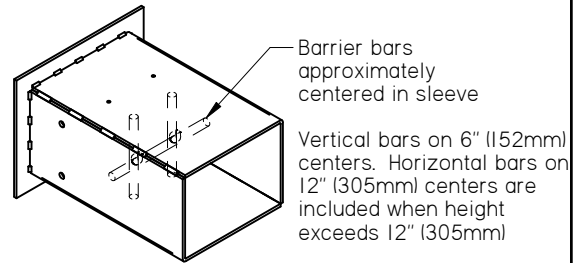
- WM - 10 ga. Wire mesh, 3/8" (10mm) clear opening (WM not available with stainless steel construction or VCS3BF damper)



BARRIER BARS (OPTIONAL):

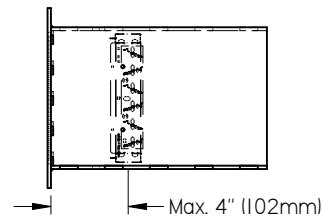
(Not available with countersunk screw fastening options)

- BB16 - 1/2" (13mm) dia. bars (steel only)
- BB17 - 3/4" (19mm) dia. bars
- BB19 - 1/2" (13mm) dia. hardened bars in sockets (steel only)
- BB20 - 3/4" (19mm) dia. hardened bars in sockets (steel only)
- BB22 - 2" x 1/4" (51mm x 6mm) flat bar



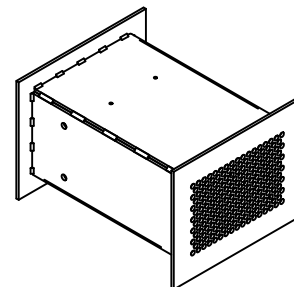
DAMPER (OPTIONAL):

- VCS3BF - steel opposed blade damper, front operated (not available with fractional sizing, barrier bars, or P2 face pattern)



TRANSFER GRILLE (OPTIONAL):

- TG14 - transfer grille, matching faceplate welded to rear of sleeve (not available with dampers or mounting frames)



ALL METRIC DIMENSIONS () ARE SOFT CONVERTED. IMPERIAL DIMENSIONS ARE CONVERTED TO METRIC AND ROUNDED TO THE NEAREST MILLIMETER.

PROJECT:		PRICE
ENGINEER:		
CUSTOMER:		MSPG PERFORATED FACE SECURITY GRILLE
SUBMITTAL DATE:	SPEC. SYMBOL:	271259
		2020-02-21