

IMPERIAL UNITS (inches)			
UNIT SIZE	W	H	L
30	24 1/2	12 1/4	43 1/2

SI UNITS (mm)			
UNIT SIZE	W	H	L
30	622	311	1105

ECM MOTOR FLA					
SIZE	MOTOR H.P	115V	208V	240V	277V
30	1/2	7.7	4.3	4.3	4.1

STANDARD CONSTRUCTION:

- INTERNAL INSULATION - FIBERGLASS 1/2" (13mm) THICK, MINIMUM 1.5 LB/CU.FT DENSITY WHICH MEETS REQUIREMENTS OF NFPA 90A & UL181.
- ZINC COATED 20 GAUGE STEEL HOUSING.
- ECM ELECTRICAL MOTOR, 1 PHASE, 60 CYCLE, SPEED CONTROLLER INCLUDED.
- MERV 8 PRE FILTER & HEPA FILTER.
- LEFT HAND CONTROLS CONFIGURATION SHOWN ABOVE. RIGHT HAND ALSO AVAILABLE.
- BOTTOM BLOWER ACCESS PANEL.
- INLET AND DISCHARGE DESIGNED FOR SLIP & DRIVE CLEAT DUCT CONNECTIONS.
- LEFT HAND CONFIGURATION SHOWN ABOVE. RIGHT HAND UNIT MIRROR OF LEFT HAND
- HEPA RATING OF 99.97% EFFICIENCY
- MERV8/MERV13 WITH CARDBOARD FRAME
- ASSEMBLY LISTED UNDER UL507/CSA 22.2 No. 113 & UL867/CSA 22.2 No. 187
- BIPOLAR IONIZER MEETS UL 2998

OPTIONS:

- DISCONNECT SWITCH (DSW)
- HANGER BRACKETS (HB), SHIPPED LOOSE
- 2" MERV 13 FILTER (IN LIEU OF HEPA AND MERV8 PREFILTER)
- UV LIGHT
- BIPOLAR IONIZATION
- FRESH AIR INLET (FAI)

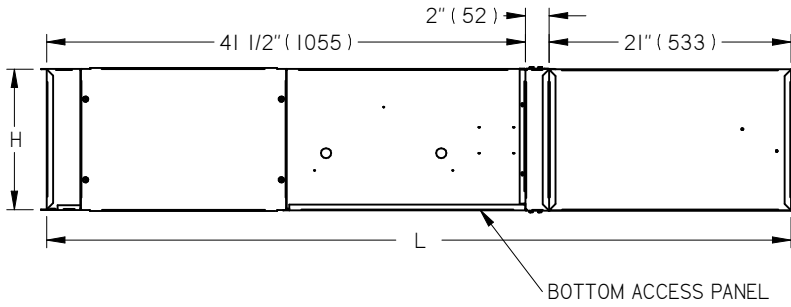
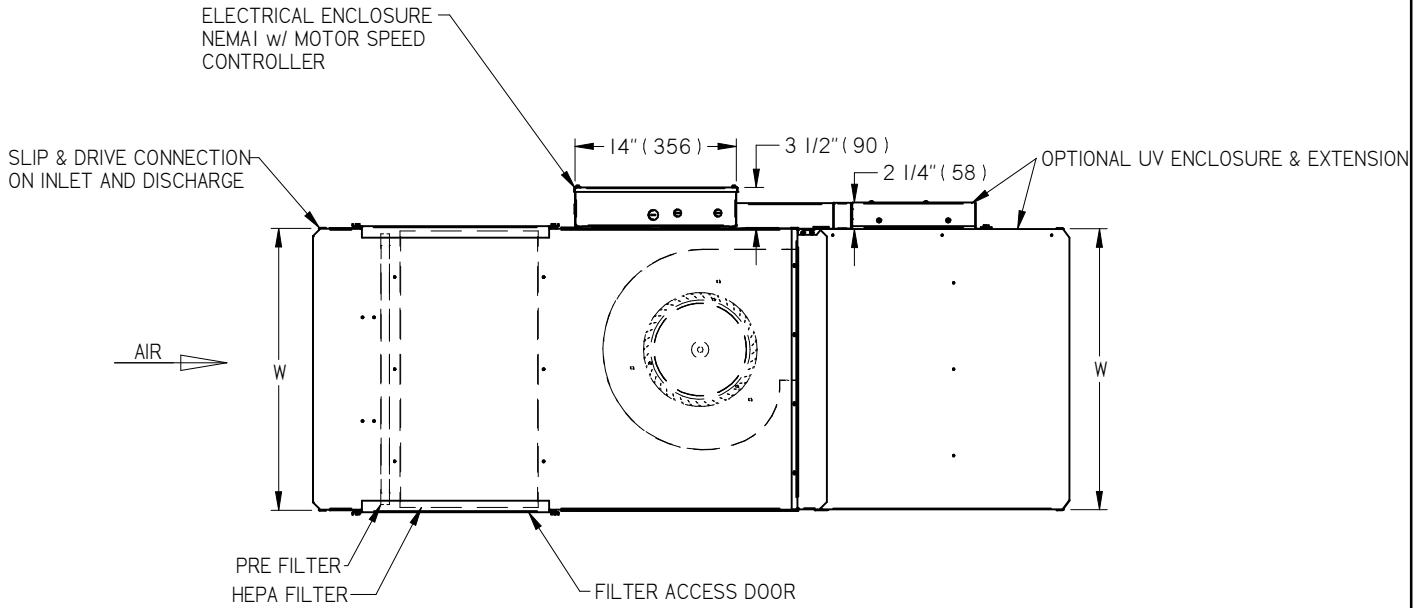
LINERS:

- FF50



ALL METRIC DIMENSIONS () ARE SOFT CONVERTED. IMPERIAL DIMENSIONS ARE CONVERTED TO METRIC AND ROUNDED TO THE NEAREST MILLIMETER.

PROJECT:		PRICE	
ENGINEER:		GH	OAP OVERHEAD AIR PURIFIER FILTRATION UNIT SIZE 30
CUSTOMER:		272988	
SUBMITTAL DATE:	SPEC. SYMBOL:	08/15/2021	



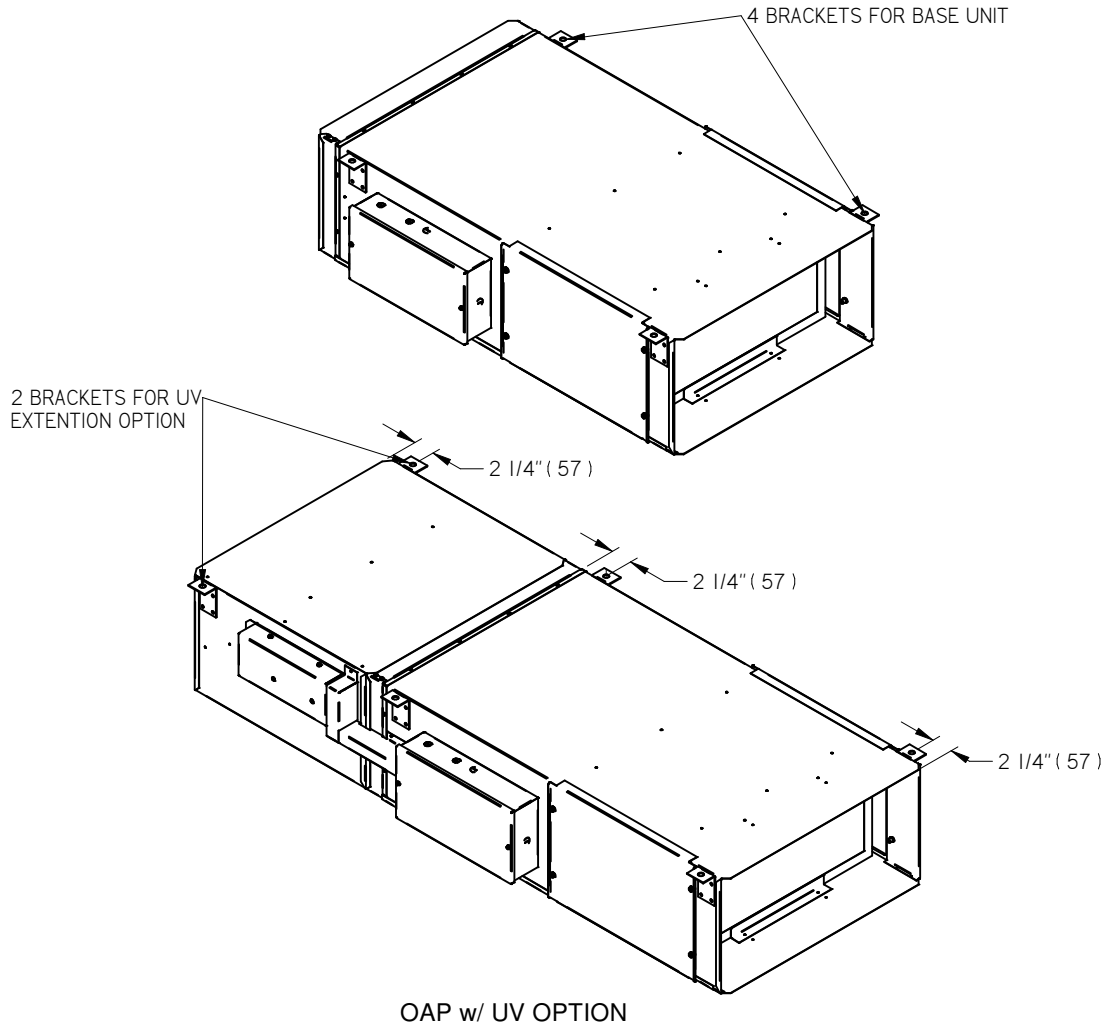
IMPERIAL UNITS (inches)			
UNIT SIZE	W	H	L
30	24 1/2	12 1/4	64 1/2

SI UNITS (mm)			
UNIT SIZE	W	H	L
30	622	311	1638

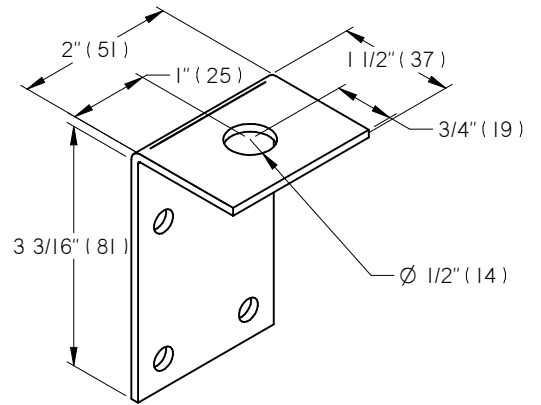


ALL METRIC DIMENSIONS () ARE SOFT CONVERTED. IMPERIAL DIMENSIONS ARE CONVERTED TO METRIC AND ROUNDED TO THE NEAREST MILLIMETER.

PROJECT:		PRICE	
ENGINEER:		GH	OAP OVERHEAD AIR PURIFIER FILTRATION UNIT SIZE 30 WITH UV
CUSTOMER:		272988	
SUBMITTAL DATE:	SPEC. SYMBOL:	08/15/2021	



OAP w/ UV OPTION

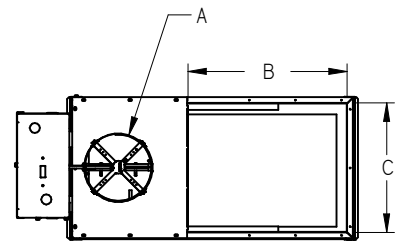
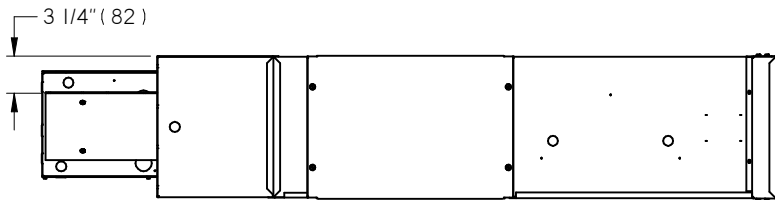
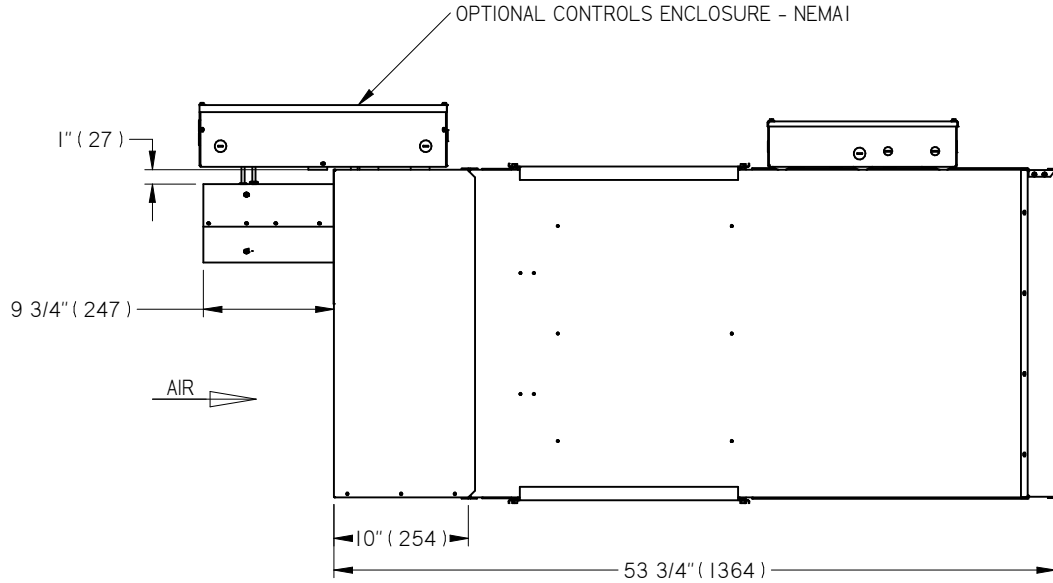


NOTES:

- HANGER BRACKETS ARE 12 GAUGE ZINC COATED STEEL
- 4 HANGER BRACKETS PER FAN UNIT. 2 PER UV EXTENSION.
- BRACKETS ARE SHIPPED LOOSE FOR FIELD INSTALLATION FOR USE WITH THREADED HANGER RODS (BY OTHERS)
- LAYOUT INDICATES SUGGESTED HANGER BRACKET LOCATIONS

ALL METRIC DIMENSIONS () ARE SOFT CONVERTED. IMPERIAL DIMENSIONS ARE CONVERTED TO METRIC AND ROUNDED TO THE NEAREST MILLIMETER.

PROJECT:		PRICE	ACCESSORIES HANGER BRACKET [HB] LOCATIONS FOR OAP
ENGINEER:			
CUSTOMER:		272989	
SUBMITTAL DATE:	SPEC. SYMBOL:	08/15/2021	



FRESH AIR INLET

UNIT SIZE	RETURN AIR INLET		
	A, in (mm)	B, in (mm)	C, in (mm)
30	6 (152) or 8 (203)	13 3/4 (350)	12 1/2 (318)

NOTES:

1. LH CONFIGURATION SHOWN
2. FRESH AIR INLET LINER MATCHES THE UNIT LINER

OPTIONS:

- PROTECTIVE SHROUD (PS)

ALL METRIC DIMENSIONS () ARE SOFT CONVERTED. IMPERIAL DIMENSIONS ARE CONVERTED TO METRIC AND ROUNDED TO THE NEAREST MILLIMETER.

PROJECT:		PRICE
ENGINEER:		
CUSTOMER:		GH
SUBMITTAL DATE:		272990
SPEC. SYMBOL:		08/15/2021
		ACCESSORIES FRESH AIR INLET [FAI]