

PCBL- PASSIVE CHILLED BEAM LINEAR

OPTIONS:

- COIL TYPES (SEE PAGE 2)
- MOUNTING BRACKET (SEE PAGE 3)

CONNECTION:

- SWT - 1/2" SWEAT
- FNPT - 1/2" FNPT
- MNPT - 1/2" MNPT

COIL FINISH:

- NONE - UNPAINTED (DEFAULT)
- BLK - BLACK PAINTED COIL

PROTECTIVE FILM:

- NONE (DEFAULT)
- PF - PROTECTIVE FILM

FINISH:

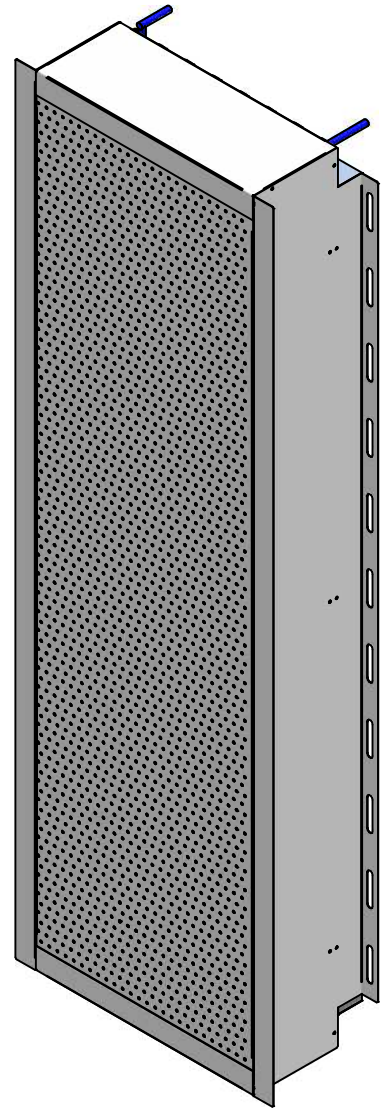
- B12 - STANDARD WHITE (DEFAULT)
- B17 - BLACK
- SPL - SPECIAL COLOR

ELEVATION:

- SEA LEVEL
- HIGH ALTITUDE _____ FT

NOTES:

STANDARD CONSTRUCTION IS 20 GAUGE CASING CONSTRUCTION (STEEL)
FACTORY TOLERANCE ± 1/32



NOMINAL WIDTH	ACTUAL WIDTH
12	11 3/4
24	23 3/4
NOMINAL LENGTH	ACTUAL LENGTH
24	23 3/4
36	35 3/4
48	47 3/4
60	59 3/4
72	71 3/4
84	83 3/4
96	95 3/4
108	107 3/4
120	119 3/4

PROJECT:		PRICE [®]	
ENGINEER:		BB	PCBL PASSIVE CHILLED BEAM LINEAR
CUSTOMER:		271289	
SUBMITTAL DATE:	SPEC. SYMBOL:	2019/07/25	

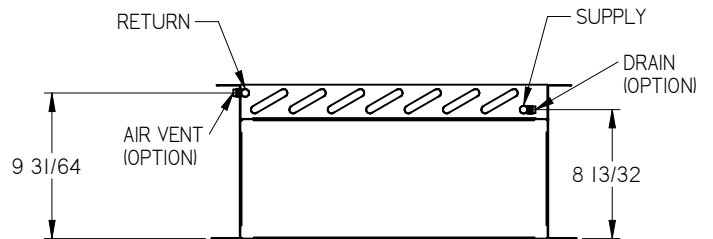
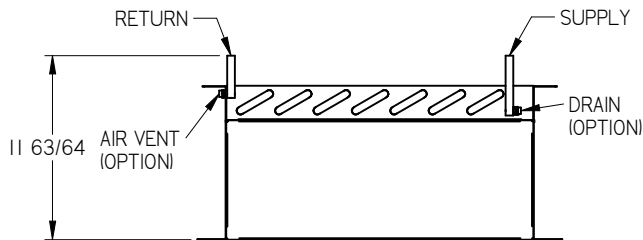
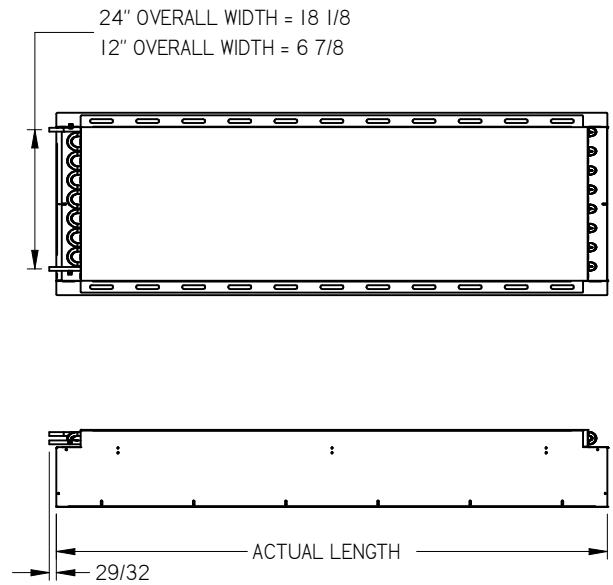
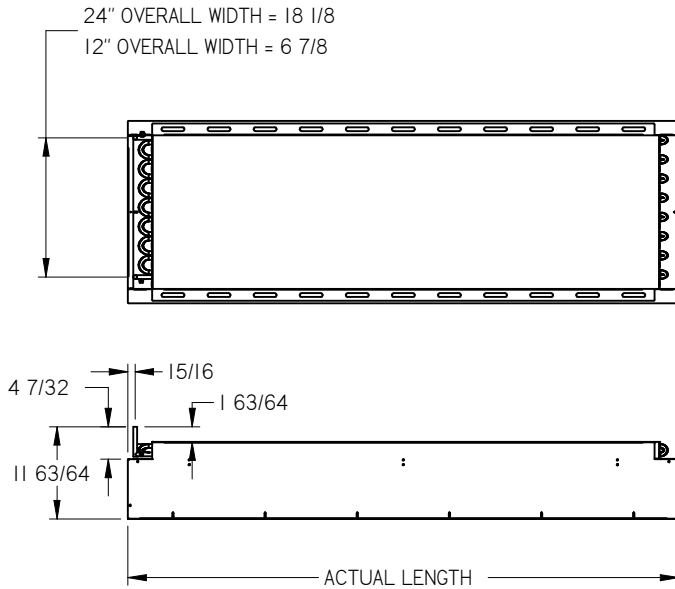
PCBL- PASSIVE CHILLED BEAM LINEAR

COIL TYPE:

- 2P1C - NODV - 2 PIPE, 1 CIRCUIT, STRAIGHT PIPE
- 2P1C - NODV-UP - 2 PIPE, 1 CIRCUIT, UPTURN PIPE
- 2P1C - DV - 2 PIPE, 1 CIRCUIT, DRAIN & VENT, STRAIGHT PIPE
- 2P1C - DV-UP - 2 PIPE, 1 CIRCUIT, DRAIN & VENT, UPTURN PIPE

UPTURN PIPE SHOWN

STRAIGHT PIPE SHOWN



PROJECT:



ENGINEER:

BB

CUSTOMER:

271289

**PCBL
PASSIVE CHILLED
BEAM LINEAR**

SUBMITTAL DATE:

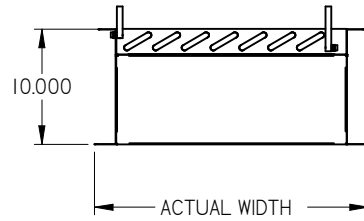
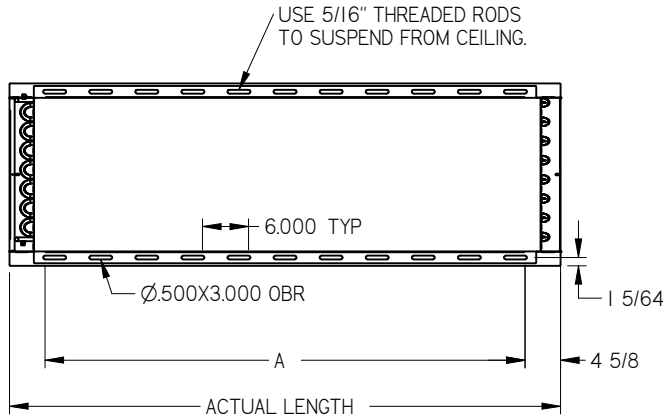
SPEC. SYMBOL:

2019/07/25

PCBL- PASSIVE CHILLED BEAM LINEAR

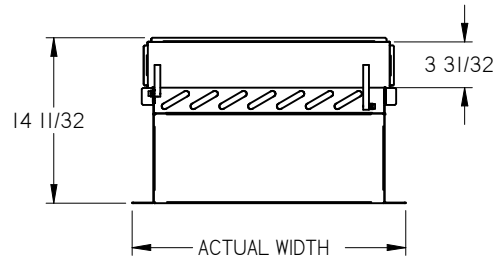
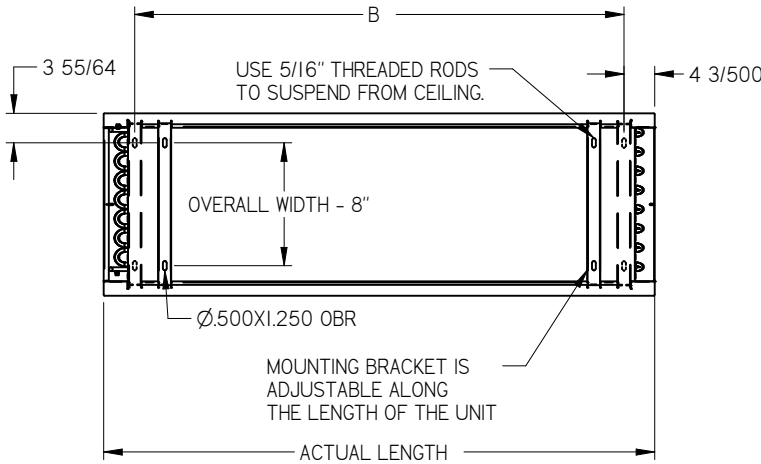
MOUNTING BRACKETS:
 FIX - FIXED BRACKET (DEFAULT)
 ADJ - ADJUSTABLE BRACKET

FIXED BRACKET SHOWN



FIXED BRACKET LENGTH	
NOMINAL LENGTH	
	24" 36" 48" 60" 72" 84" 96" 108" 120"
BRACKET LENGTH (A)	14 1/2 26 1/2 38 1/2 50 1/2 62 1/2 74 1/2 86 1/2 98 1/2 110 1/2

ADJUSTABLE BRACKET SHOWN



ADJUSTABLE BRACKET LENGTH	
NOMINAL LENGTH	
	24" 36" 48" 60" 72" 84" 96" 108" 120"
BRACKET TRAVEL LENGTH (B)	15 2/3 27 2/3 39 2/3 51 2/3 63 2/3 75 2/3 87 2/3 99 2/3 111 2/3

PROJECT:

ENGINEER:

CUSTOMER:

SUBMITTAL DATE:

SPEC. SYMBOL:



BB

271289

2019/07/25

PCBL
PASSIVE CHILLED
BEAM LINEAR