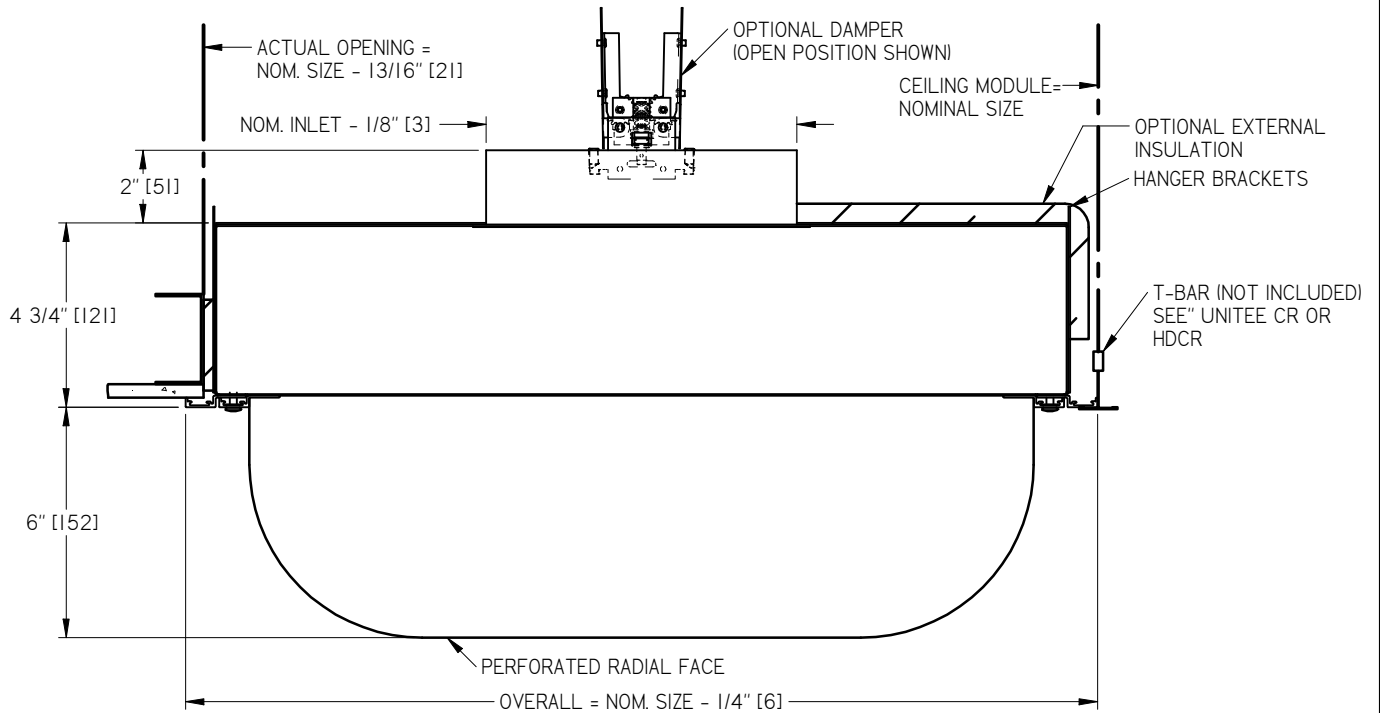
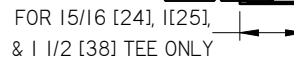
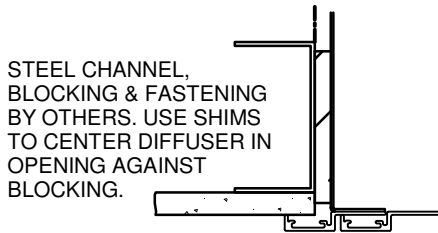


**RFD RADIAL FLOW DIFFUSER**



**SURFACE MOUNT**

**T-BAR MOUNT**



NOMINAL SIZES			
INLET	WAY	W x L	
		IMPERIAL	HARD METRIC
6, 8, 10	1	24x24	600x600
8, 10, 12	1	24x48	600x1200
6, 8, 10	2	24x24	600x600
8, 10, 12	2	24x48	600x1200

**STANDARD CONSTRUCTION:**

- SPOT WELDED CORNER SEAMS
- STAINLESS STEEL QUICK RELEASE [1/4 TURN] FASTENERS
- DUAL CHAMBER DESIGN - ENGINEERED EQUALIZATION BAFFLE
- STAINLESS STEEL RETAINER CABLES TWO PER UNIT

**PLENUM MATERIAL:**

- ALUMINUM
- STAINLESS STEEL - 304

**PLENUM FINISH:**

- WHITE POWDER COAT - B12
  - STAINLESS STEEL - 2B
- (OPTIONAL FINISHES AVAILABLE)

**FACE AND FRAME MATERIAL:**

- ALUMINUM (EXTRUDED FRAMES)
- STAINLESS STEEL - 304

**FACE AND FRAME FINISH:**

- WHITE POWDER COAT - B12
  - STAINLESS STEEL - #4
- (OPTIONAL FINISHES AVAILABLE)

**OPTIONS:**

- CONTINUOUSLY WELDED CORNER SEAMS PLENUM, SPOT WELDED INLET
- 0.5" THICK ALUMINUM FOIL- BACKED FIBERGLASS EXTERNAL INSULATION
- 1.5" THICK ALUMINUM FOIL- BACKED FIBERGLASS EXTERNAL INSULATION
- VCR8E - BUTTERFLY DAMPER - WHITE POWDER COATED STEEL BLADES
- VCR8ESS - BUTTERFLY DAMPER - STAINLESS STEEL
- PROTECTIVE FILM

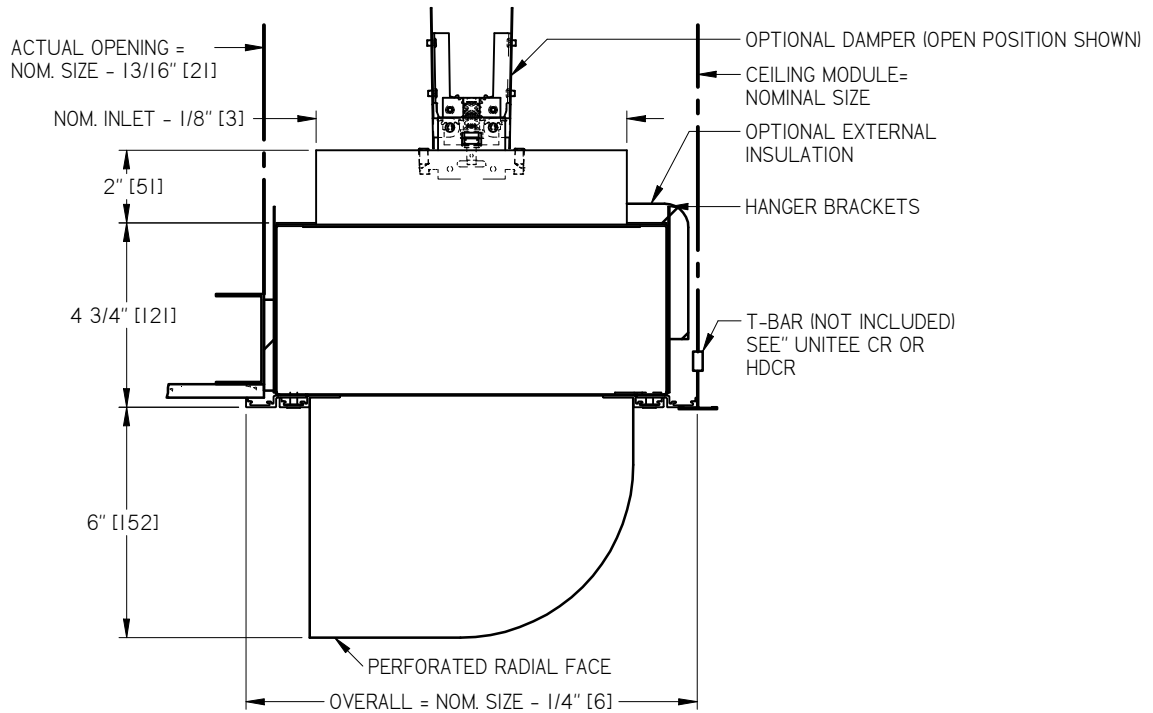
**NOTES:**

- FACTORY TOLERANCE +/- 1/32" (1)

ALL METRIC DIMENSIONS ( ) ARE SOFT CONVERTED. IMPERIAL DIMENSIONS ARE CONVERTED TO METRIC AND ROUNDED TO THE NEAREST MILLIMETER.

<b>PROJECT:</b>		<b>PRICE</b>	
<b>ENGINEER:</b>		<i>KC</i>	<b>RFD RADIAL FLOW DIFFUSER</b>
<b>CUSTOMER:</b>		270440	
<b>SUBMITTAL DATE:</b>	<b>SPEC. SYMBOL:</b>	AUG 2020	

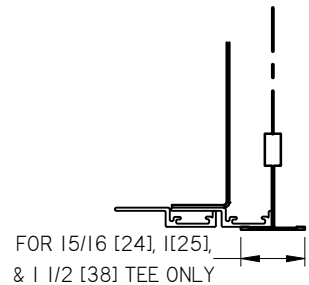
**RFD RADIAL FLOW DIFFUSER**



**SURFACE MOUNT**



**T-BAR MOUNT**



NOMINAL SIZES			
INLET	WAY	W x L	
		IMPERIAL	HARD METRIC
6, 8	1	12x24	300x600
6, 8	1	12x48	300x1200

**STANDARD CONSTRUCTION:**

- SPOT WELDED CORNER SEAMS
- STAINLESS STEEL QUICK RELEASE [1/4 TURN] FASTENERS
- DUAL CHAMBER DESIGN - ENGINEERED EQUALIZATION BAFFLE
- STAINLESS STEEL RETAINER CABLES TWO PER UNIT

**PLENUM MATERIAL:**

- ALUMINUM
- STAINLESS STEEL - 304

**PLENUM FINISH:**

- WHITE POWDER COAT - B12
  - STAINLESS STEEL - 2B
- (OPTIONAL FINISHES AVAILABLE)

**FACE AND FRAME MATERIAL:**

- ALUMINUM (EXTRUDED FRAMES)
- STAINLESS STEEL - 304

**FACE AND FRAME FINISH:**

- WHITE POWDER COAT - B12
  - STAINLESS STEEL - #4
- (OPTIONAL FINISHES AVAILABLE)

**OPTIONS:**

- CONTINUOUSLY WELDED CORNER SEAMS PLENUM, SPOT WELDED INLET
- 0.5" THICK ALUMINUM FOIL- BACKED FIBERGLASS EXTERNAL INSULATION
- 1.5" THICK ALUMINUM FOIL- BACKED FIBERGLASS EXTERNAL INSULATION
- VCR8E - BUTTERFLY DAMPER - WHITE POWDER COATED STEEL BLADES
- VCR8ESS - BUTTERFLY DAMPER - STAINLESS STEEL
- PROTECTIVE FILM

**NOTES:**

- FACTORY TOLERANCE +/- 1/32" (1)

ALL METRIC DIMENSIONS ( ) ARE SOFT CONVERTED. IMPERIAL DIMENSIONS ARE CONVERTED TO METRIC AND ROUNDED TO THE NEAREST MILLIMETER.

<b>PROJECT:</b>		<b>PRICE</b>	
<b>ENGINEER:</b>		<i>KC</i>	<b>RFD RADIAL FLOW DIFFUSER</b>
<b>CUSTOMER:</b>		271045	
<b>SUBMITTAL DATE:</b>	<b>SPEC. SYMBOL:</b>	AUG 2020	