

**RETROFIT INDUCTION UNIT - TALL BOY**

**OPTIONS:**

- COIL ORIENTATION (SEE PAGE 2)
- INLET LOCATION (SEE PAGE 3)
- INLET DAMPER (SEE PAGE 6)
- VOLUME FLOW REGULATOR (SEE PAGE 7)
- PLENUM DAMPER (SEE PAGE 3)
- ELECTRIC HEATER (SEE PAGE 4)
- HANGER MOUNTING (SEE PAGE 5)
- CONDENSATE PAN (SEE PAGE 5)
- CONTROL DETAILS (SEE PAGE 8)

**NOZZLE SIZE:**

- 406
- 506
- 608
- 605
- 603
- 601

**COIL TYPE:**

- 2P1C-NODV - 2 PIPES, 1 CIRCUIT
- 2P1C-DV - 2 PIPES, 1 CIRCUIT W/ DRAIN AND VENTS
- 2P2C-NODV - 2 PIPES, 2 CIRCUITS
- 2P2C-DV - 2 PIPES, 2 CIRCUITS W/ DRAIN AND VENTS
- 4P1C-NODV - 4 PIPES, 1 CIRCUIT
- 4P1C-DV - 4 PIPES, 1 CIRCUIT W/ DRAIN AND VENTS
- 4P2C-NODV - 4 PIPES, 2 CIRCUITS
- 4P2C-DV - 4 PIPES, 2 CIRCUITS W/ DRAIN AND VENTS

**COIL CONNECTION:**

- SWT - 1/2" SWEAT
- FNPT - 1/2" NPT-FEMALE
- MNPT - 1/2" NPT-MALE

**INLET SIZE:**

- 3 - 3" ROUND
- 4 - 4" ROUND

**LINT SCREEN:**

- NONE (DEFAULT)
- LS - LINT SCREEN

**INSULATION:**

- NONE (DEFAULT)
- INT - INTERNAL 1/2" FIBERFREE
- EXT - EXTERNAL 1/2" FIBERFREE
- INEX - INTERNAL & EXTERNAL

**PROTECTIVE FILM:**

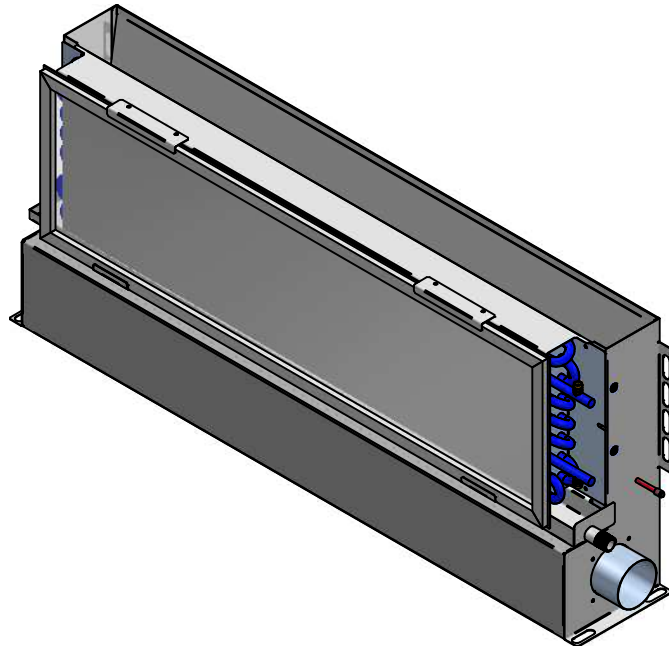
- NONE (DEFAULT)
- PF - PROTECTIVE FILM ON INLET AND DISCHARGE

**ELEVATION**

- SEA LEVEL
- HIGH ALTITUDE \_\_\_\_\_ FT

**NOTES:**

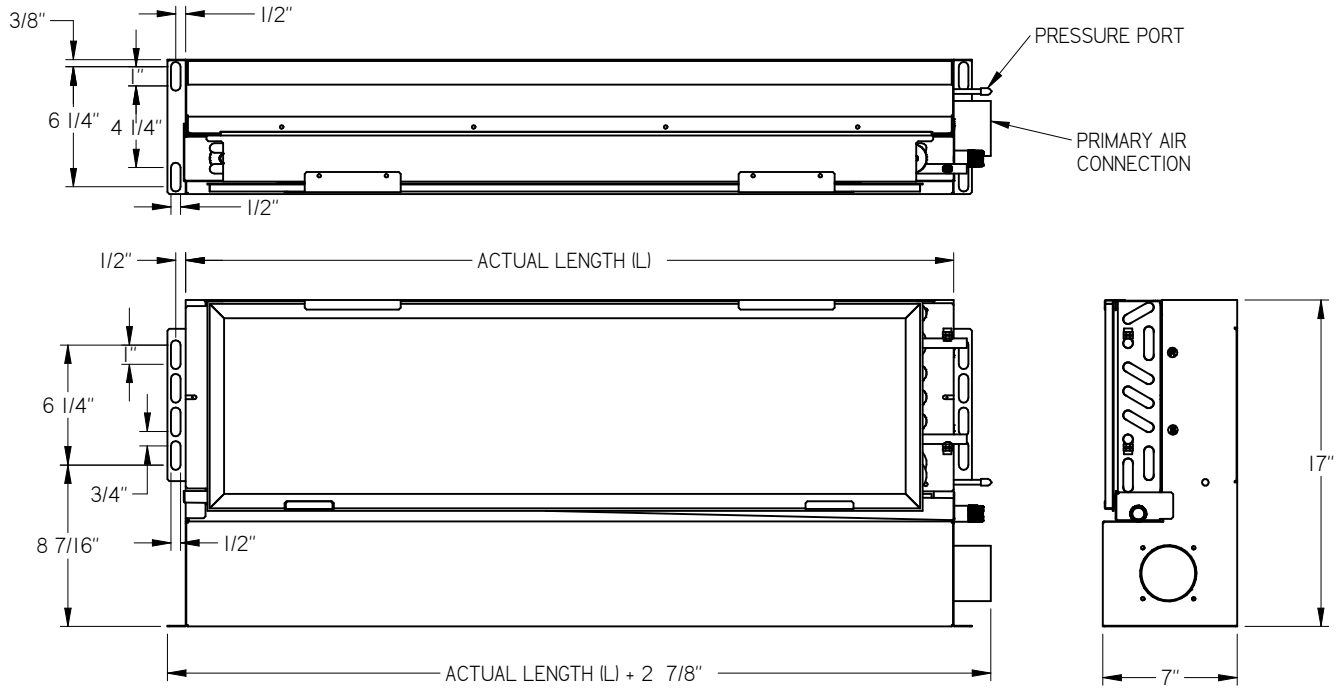
- STANDARD CONSTRUCTION: 20 GAUGE CONSTRUCTION (STEEL)
- FACTORY TOLERANCE ± 1/32"



NOMINAL LENGTH	ACTUAL LENGTH (L)
24"	24.000"
32"	32.000"
40"	40.000"
52"	52.000"
64"	64.000"
76"	76.000"
88"	88.000"

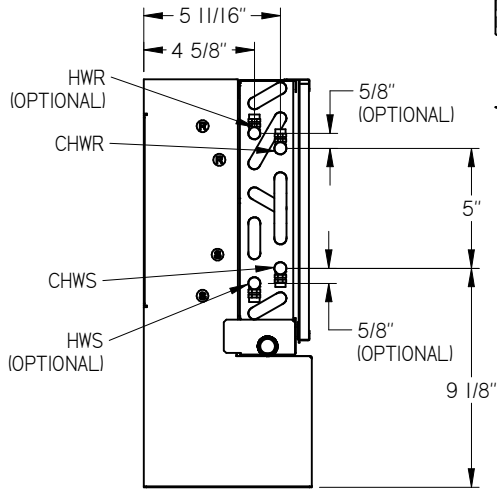
<b>PROJECT:</b>		<b>PRICE</b>	
<b>ENGINEER:</b>		DY	<b>RIU-TB</b> RETROFIT INDUCTION UNIT TALL BOY
<b>CUSTOMER:</b>		272804	
<b>SUBMITTAL DATE:</b>	<b>SPEC. SYMBOL:</b>	11/5/2020	

**RETROFIT INDUCTION UNIT - TALL BOY**



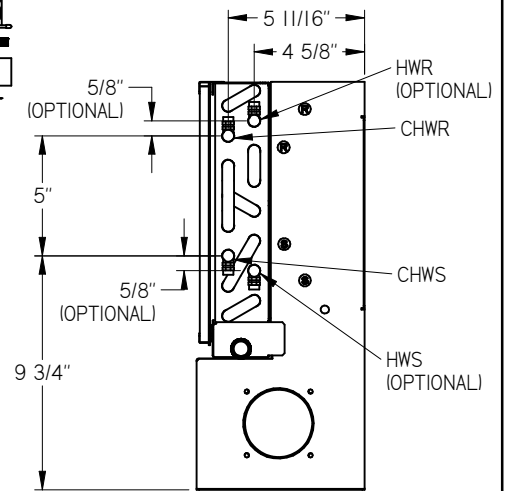
**COIL ORIENTATION:**  
 LH - LEFT HAND  
 RH - RIGHT HAND

LH COIL CONNECTION SIDE      DISCHARGE AIR      RH COIL CONNECTION SIDE



LH WATER COIL CONNECTION DIMENSIONS

\* HAND CONFIGURATION IS DERIVED BY LOOKING TOWARDS WATER COIL WITH DISCHARGE AIR DIRECTED UPWARDS.



RH WATER COIL CONNECTION DIMENSIONS

**PROJECT:**

**ENGINEER:**

**CUSTOMER:**

**SUBMITTAL DATE:**

**SPEC. SYMBOL:**



DY

272804

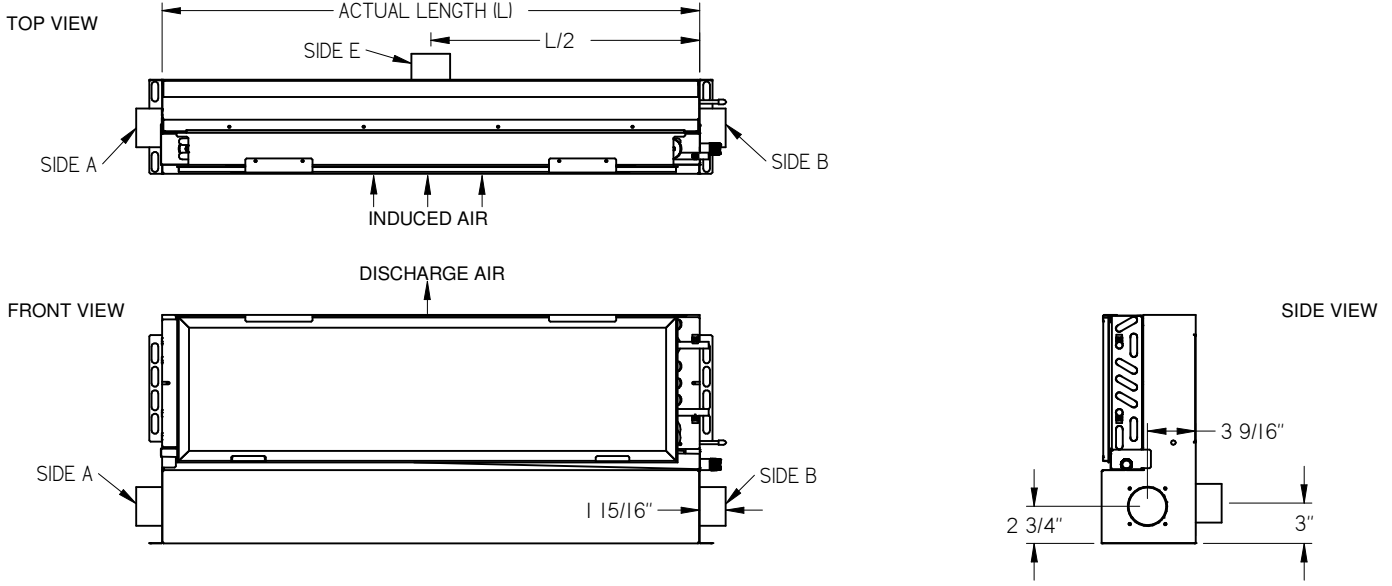
11/5/2020

**RIU-TB**  
 RETROFIT INDUCTION UNIT  
 TALL BOY

**RETROFIT INDUCTION UNIT - TALL BOY**

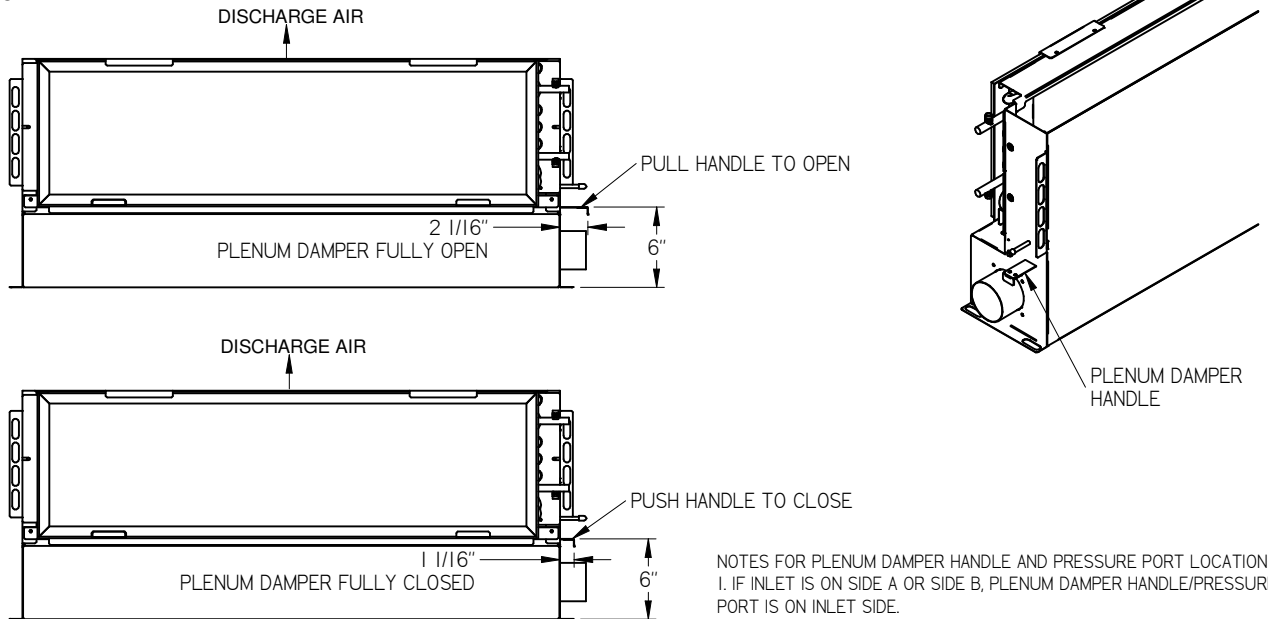
**INLET LOCATION:**

- A - SIDE A
- B - SIDE B
- AB - SIDE A & SIDE B
- E - SIDE E



**PLENUM DAMPER (ADJUST DAMPER OPENING BY PULLING/PUSHING HANDLE):**

- NONE (DEFAULT)
- PD - PLENUM DAMPER



NOTES FOR PLENUM DAMPER HANDLE AND PRESSURE PORT LOCATION:  
 1. IF INLET IS ON SIDE A OR SIDE B, PLENUM DAMPER HANDLE/PRESSURE PORT IS ON INLET SIDE.  
 2. IF INLET IS ON BOTH SIDE A AND SIDE B OR INLET IS ON SIDE E, PLENUM DAMPER HANDLE/PRESSURE PORT IS ON COIL CONNECTION SIDE.

<b>PROJECT:</b>		<b>PRICE</b>	
<b>ENGINEER:</b>		DY	<b>RIU-TB</b> RETROFIT INDUCTION UNIT TALL BOY
<b>CUSTOMER:</b>		272804	
<b>SUBMITTAL DATE:</b>	<b>SPEC. SYMBOL:</b>	11/5/2020	

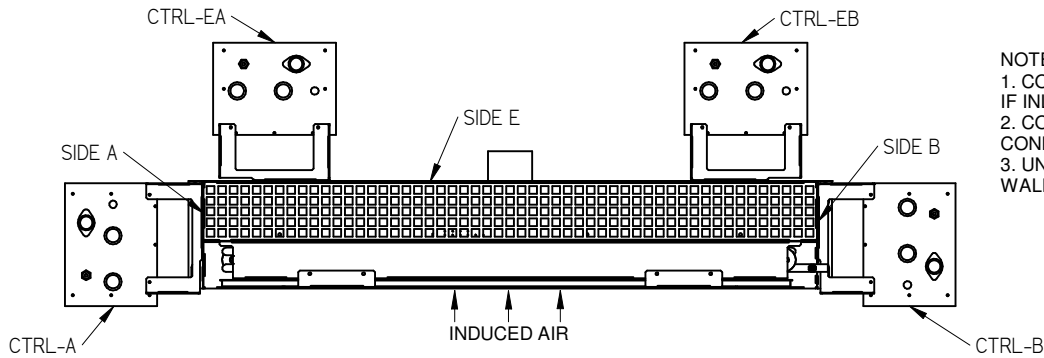
**RETROFIT INDUCTION UNIT - TALL BOY**

**ELECTRIC HEATER (SEE PAGE 8 FOR CONTROL DETAILS):**

- NONE (DEFAULT)
- CTRL-A - 1500 BTUH/FT WITH CONTROL ON SIDE A - INCREASING OVERALL LENGTH
- CTRL-B - 1500 BTUH/FT WITH CONTROL ON SIDE B - INCREASING OVERALL LENGTH
- CTRL-EA - 1500 BTUH/FT WITH CONTROL ON SIDE E (NEAR SIDE A) - INCREASING OVERALL WIDTH
- CTRL-EB - 1500 BTUH/FT WITH CONTROL ON SIDE E (NEAR SIDE B) - INCREASING OVERALL WIDTH

NOMINAL LENGTH	VOLTS/PH/CYC	KW	AMPS	MCA	MOP
24	277/1/60	0.9	3.2	4.0	20
32	277/1/60	1.2	4.2	5.3	20
40	277/1/60	1.5	5.3	6.6	20
52	277/1/60	1.9	6.9	8.6	20
64	277/1/60	2.3	8.5	10.6	20
76	277/1/60	2.8	10.1	12.6	20
88	277/1/60	3.2	11.6	14.5	20

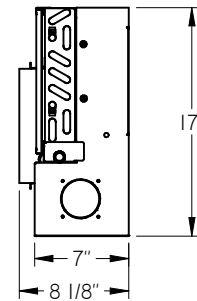
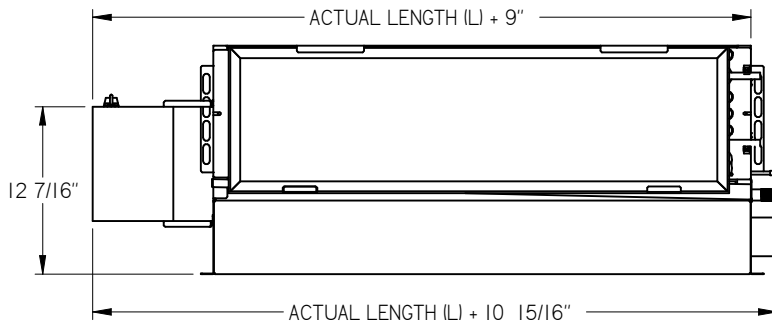
TOP VIEW



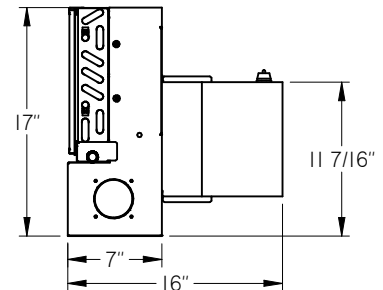
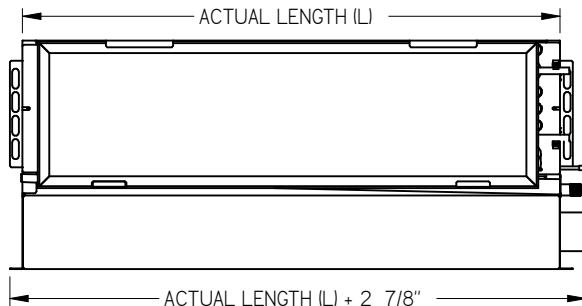
**NOTES:**

1. CONTROL CANNOT BE ON INLET SIDE IF INLET IS ON SIDE A OR SIDE B.
2. CONTROL CANNOT BE ON COIL CONNECTION SIDE.
3. UNIT CANNOT BE FLUSH AGAINST WALL IF CONTROL IS ON SIDE E.

**DIMENSIONS WITH CTRL-A/CTRL-B INSTALLED**



**DIMENSIONS WITH CTRL-EA/CTRL-EB INSTALLED**



**PROJECT:**

**ENGINEER:**

**CUSTOMER:**

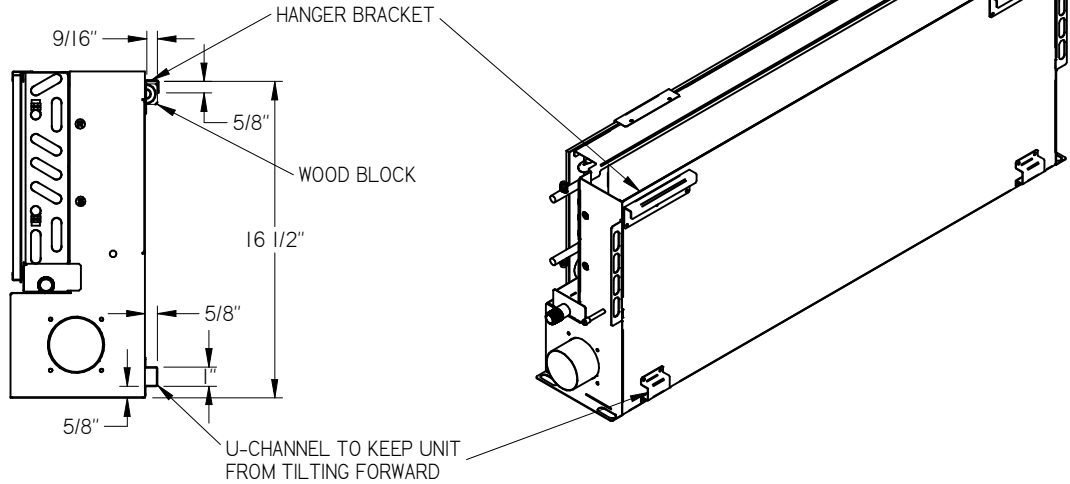
**SUBMITTAL DATE:**

**SPEC. SYMBOL:**

<b>PRICE</b>	
DY	<b>RIU-TB</b>
272804	RETROFIT INDUCTION UNIT TALL BOY
11/5/2020	

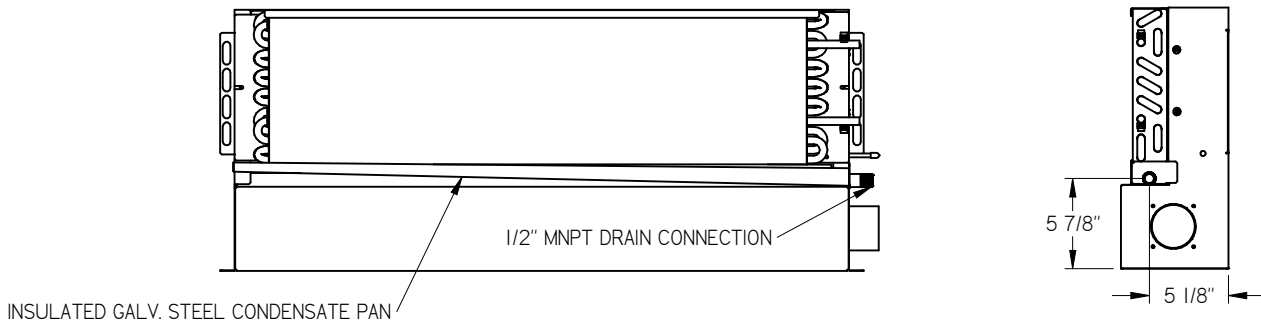
**RETROFIT INDUCTION UNIT - TALL BOY**

- HANGER MOUNTING:**  
 NONE (DEFAULT)  
 HGR - HANGER BRACKET



- CONDENSATE PAN:**  
 NONE (DEFAULT)  
 DP - DRAIN PAN WITH SIDE CONNECTION(SLOPED AT LEAST 1/8"/FT)  
 DT - DRIP TRAY

\*DRAIN PAN CONNECTION IS ALWAYS ON COIL CONNECTION SIDE.



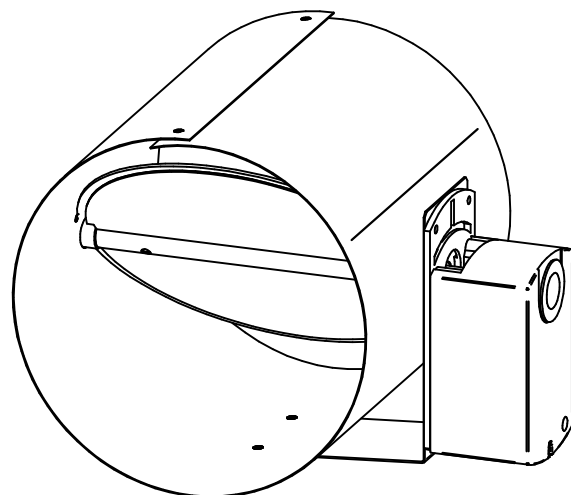
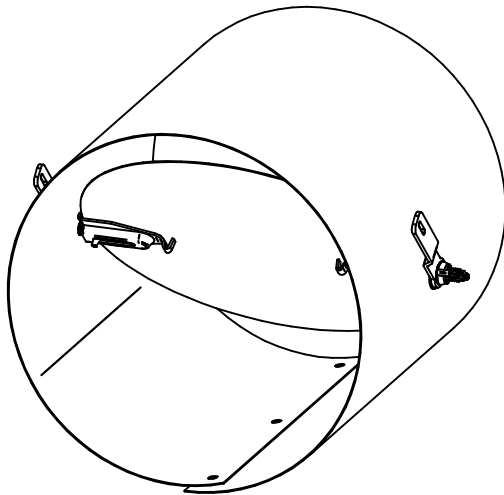
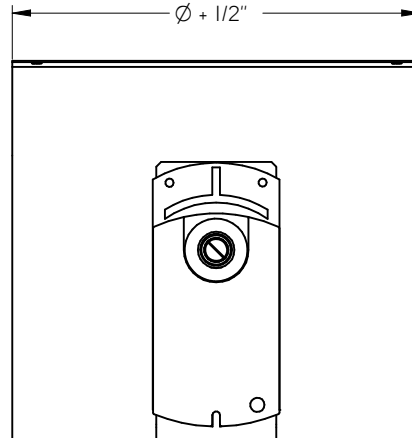
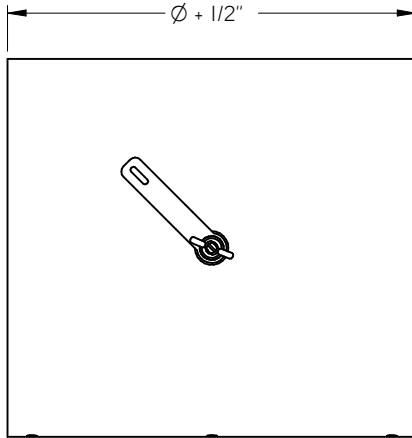
<b>PROJECT:</b>		<b>PRICE</b> <sup>®</sup>	
<b>ENGINEER:</b>		DY	<b>RIU-TB</b> RETROFIT INDUCTION UNIT TALL BOY
<b>CUSTOMER:</b>		272804	
<b>SUBMITTAL DATE:</b>	<b>SPEC. SYMBOL:</b>	11/5/2020	

**RETROFIT INDUCTION UNIT - TALL BOY**

**INLET DAMPER (SHIPPED LOOSE):**  
 (DAMPERS SHOULD NOT BE MOUNTED DIRECTLY TO THE INLET AND SHOULD ONLY BE USED FOR TRIMMING AIRFLOW)

- NONE (DEFAULT)
- MQ4 - 4" DAMPER W/ MANUAL LOCKING QUADRANT

- VAV4 - 4" DAMPER W/ 24VAC FLOATING POINT ACTUATOR

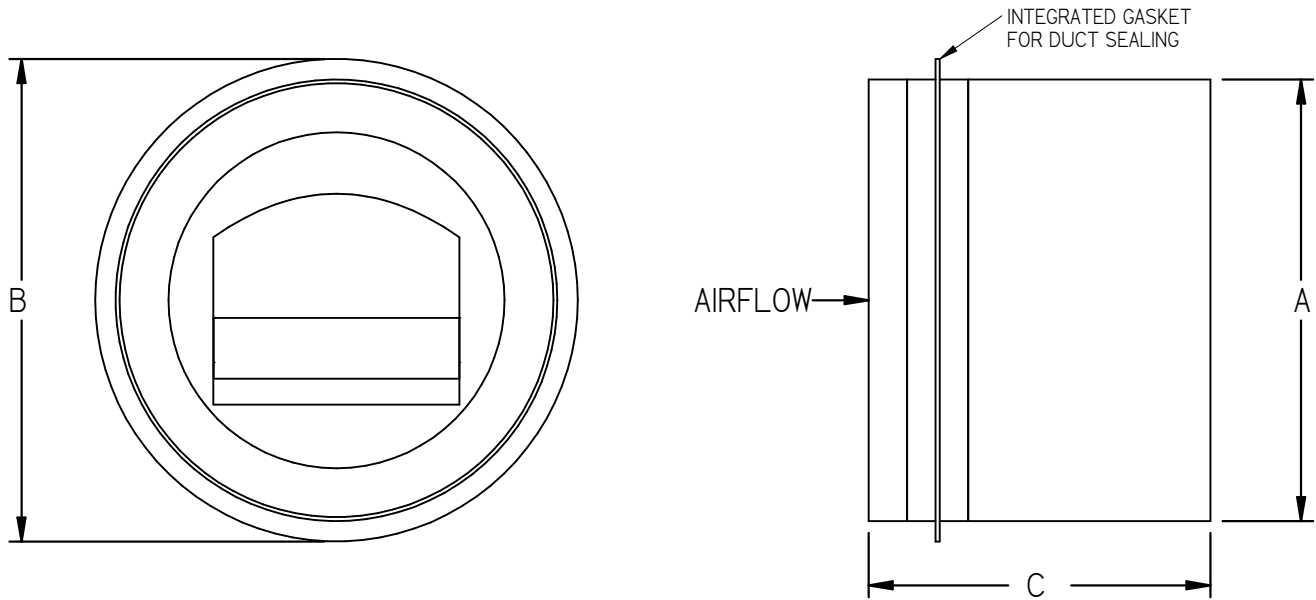


<b>PROJECT:</b>		<b>PRICE</b> <sup>®</sup>	
<b>ENGINEER:</b>		DY	<b>RIU-TB</b> RETROFIT INDUCTION UNIT TALL BOY
<b>CUSTOMER:</b>		272804	
<b>SUBMITTAL DATE:</b>	<b>SPEC. SYMBOL:</b>	11/5/2020	

**RETROFIT INDUCTION UNIT - TALL BOY**

**VOLUME FLOW REGULATOR (SHIPPED LOOSE):**

- NONE (DEFAULT)
- VFR4-10 - 4" DUCT VFR, 10 CFM
- VFR4-20 - 4" DUCT VFR, 20 CFM
- VFR4-25 - 4" DUCT VFR, 25 CFM
- VFR4-30 - 4" DUCT VFR, 30 CFM
- VFR4-35 - 4" DUCT VFR, 35 CFM
- VFR4-45 - 4" DUCT VFR, 45 CFM
- VFR4-50 - 4" DUCT VFR, 50 CFM
- VFR4-60 - 4" DUCT VFR, 60 CFM



Duct Size	A	B	C	AIRFLOW SELECTIONS (CFM)
4" (100)	3.800	4.100	2.300	10, 20, 25, 30, 35, 45, 50, 60

**STANDARD CONSTRUCTION:**

- BLACK ABS PLASTIC, UL94V-0 RATED
- UL2043 LISTED
- SIZED TO FIT INSIDE STANDARD RIGID ROUND DUCTING
- INTEGRATED GASKET FOR SEALING AGAINST INSIDE OF DUCT

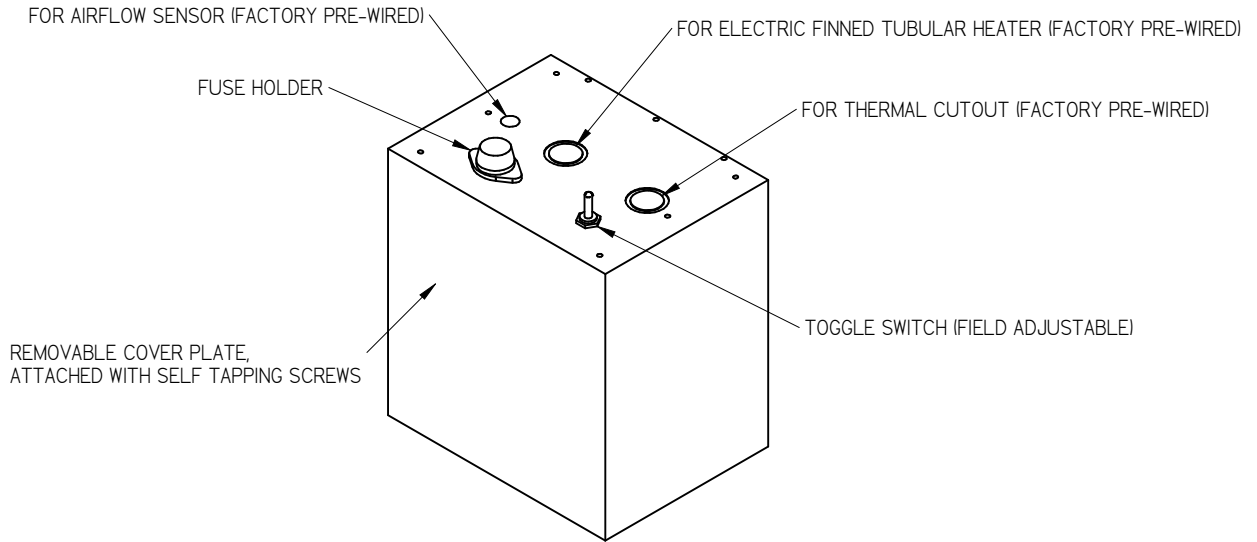
**PERFORMANCE:**

- CONTROLS AIRFLOW WITHIN 10% OF RATED FLOW (15% FOR UNITS 50CFM OR LESS) FOR 0.2" TO 0.8" W.C.

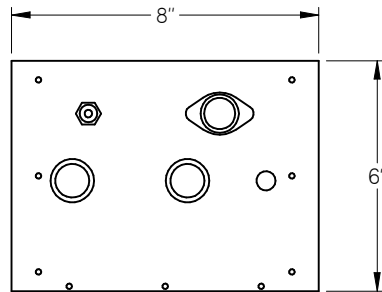
<b>PROJECT:</b>		<b>PRICE</b>	
<b>ENGINEER:</b>		DY	<b>RIU-TB</b> RETROFIT INDUCTION UNIT TALL BOY
<b>CUSTOMER:</b>		272804	
<b>SUBMITTAL DATE:</b>	<b>SPEC. SYMBOL:</b>	11/5/2020	

**RETROFIT INDUCTION UNIT - TALL BOY**

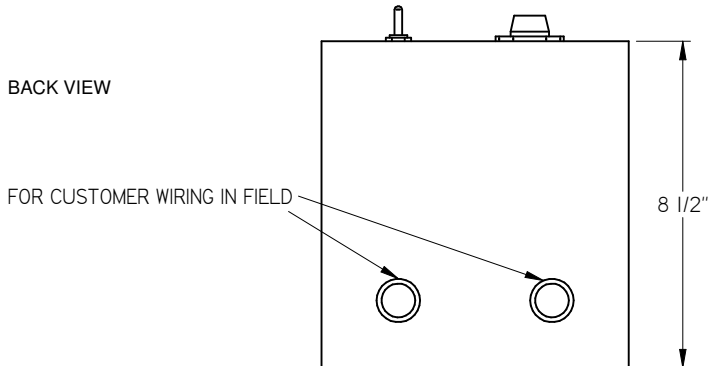
**CONTROL DETAILS**



TOP VIEW



BACK VIEW



CONTROL PANEL: 18GA GALVANIZED STEEL  
 REMOVABLE COVER PLATE: 14GA GALVANIZED STEEL

**PROJECT:**



**ENGINEER:**

DY

**CUSTOMER:**

272804

**RIU-TB**  
 RETROFIT INDUCTION UNIT  
 TALL BOY

**SUBMITTAL DATE:**

**SPEC. SYMBOL:**

11/5/2020