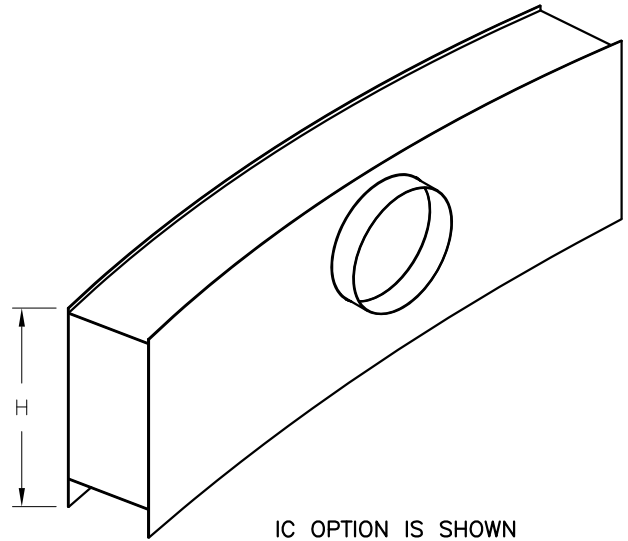
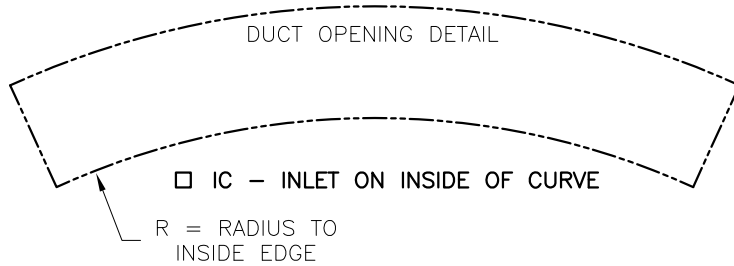


SDBC CURVED PLENUM FOR SDSC DIFFUSER

PLENUM FOR SDSC DIFFUSER

MINIMUM RADIUS = 72" (1829)

OC – INLET ON OUTSIDE OF CURVE



*NOTE: PLEASE IDENTIFY INLET SIDE WHEN ORDERING ASP/JSP PLENUMS FOR FLAT FACE APPLICATIONS

	PLENUM HEIGHT (H)	AVAILABLE INLETS
1 SLOT	10" (254)	6" (152), 8" (203), *10" (*254), *12" (*305)
2 SLOT	16" (406)	6" (152), 8" (203), 10" (254), 12" (305), 14" (356)

AVAILABLE PLENUM LENGTH:


- 24" (610)
- 36" (914)
- 48" (1219)
- 60" (1524)

OPTIONAL INSULATION:

- CF – COATED FIBREGLASS
- FF – FIBRE FREE FOAM

* SUPPLIED AS FLAT OVAL EQUIVALENT
 10" (254) = 6"x12.078" (152x307)
 12" (305) = 6"x15.218" (152x387)

ALL METRIC DIMENSIONS () ARE SOFT CONVERTED. IMPERIAL DIMENSIONS ARE CONVERTED TO METRIC AND ROUNDED TO THE NEAREST MILLIMETER.

PROJECT:		PRICE [®]	
ENGINEER:		 258848	SDBC CURVED PLENUM FOR SDSC DIFFUSER
CUSTOMER:			
SUBMITTAL DATE:	SPEC. SYMBOL:	2011/09/08	