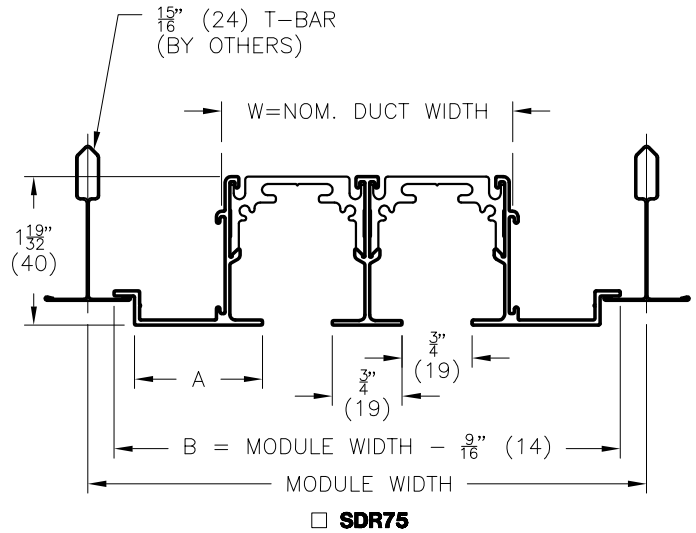
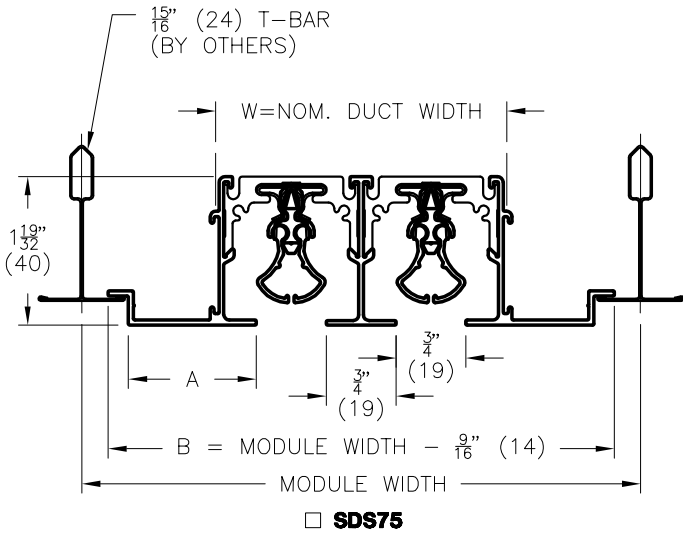
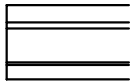


**SDS / SDR LINEAR SLOT DIFFUSER - TYPE 20
TECHZONE CEILING LAY-IN APPLICATION**

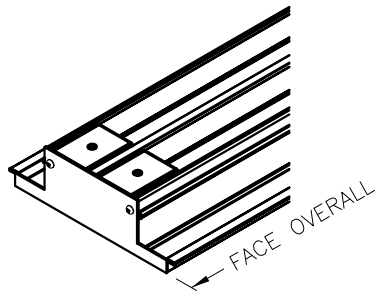
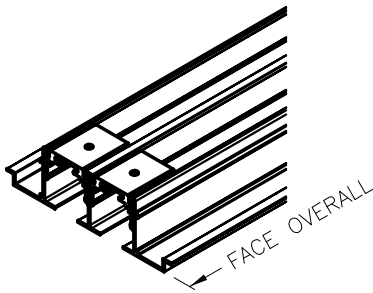


END CONDITIONS:

Y - OPEN END
FOR SPlicing TOGETHER
MULTIPLE SECTIONS



Z - CLOSED END CAP



MODULE WIDTH	SDS75			
	SLOTS	W	A	B
4" (102)	1	1 5/8" (41)	1 1/8" (29)	3 7/16" (87)
	2	3 1/8" (79)	3/8" (10)	3 7/16" (87)
6" (152)	1	1 5/8" (41)	2 1/8" (54)	5 7/16" (138)
	2	3 1/8" (79)	1 3/8" (35)	5 7/16" (138)
	3	4 5/8" (117)	5/8" (16)	5 7/16" (138)

END CONDITION	FACE LENGTH
Y-Y	CEILING MODULE
Y-Z	CEILING MODULE - 1/2" (13)
Z-Z	CEILING MODULE - 1" (25)

FINISH:

- PATTERN CONTROLLERS - B17 BLACK
- DIFFUSER FACE - B12 WHITE (OPTIONAL FINISHES AVAILABLE)

MATERIAL:

- EXTRUDED ALUMINUM FRAME
- ROLLFORMED STEEL OR EXTRUDED ALUMINUM PATTERN CONTROLLERS ON SDS75

NOTE:

- MINIMUM LENGTH 8" (203)
- MAXIMUM SECTION LENGTH 72" (1829)
- FOR USE WITH 4" (102) OR 6" (152) TECHZONE CEILING MODULE SIZES
- 180° AIR PATTERN ADJUSTMENT AVAILABLE
- FOR USE WITH TYPE 18 SDB / SDA PLENUMS, OR UP / UPL PLENUMS
- FACTORY TOLERANCE ± 1/32" (1)
- SEE INSTALLATION INSTRUCTION I100046

MODELS:

SUPPLY DIFFUSERS: RETURNS:
 SDS75 - 3/4" SLOT SDR75 - 3/4" SLOT
 ALL METRIC DIMENSIONS () ARE SOFT CONVERTED. IMPERIAL DIMENSIONS ARE CONVERTED TO METRIC AND ROUNDED TO THE NEAREST MILLIMETER.

PROJECT:		PRICE®
ENGINEER:		
CUSTOMER:		249024
SUBMITTAL DATE:	SPEC. SYMBOL:	2013/08/30

SDS / SDR
TYPE 20
LINEAR DIFFUSER
TECHZONE T-BAR SYSTEMS