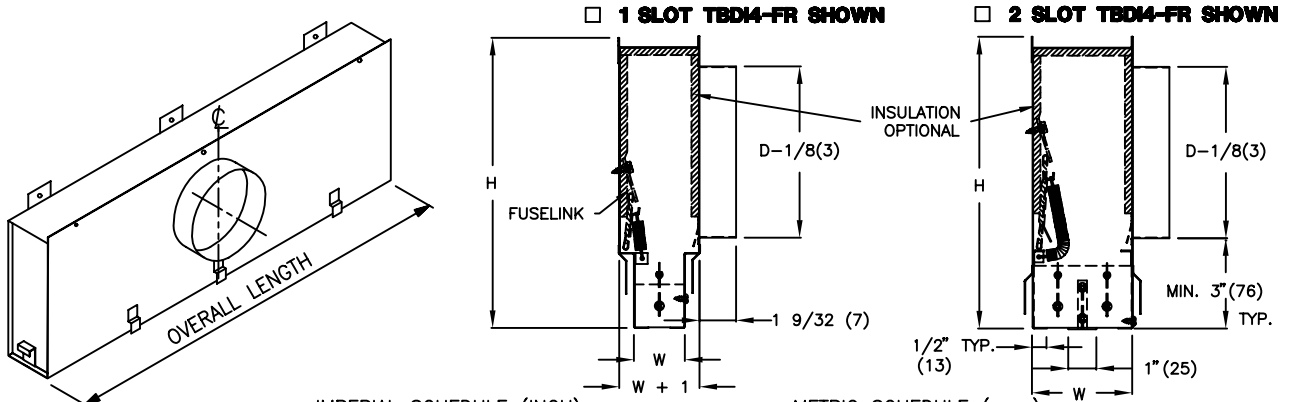


TBD4-FR SERIES T-BAR SUPPLY DIFFUSER ASSEMBLY



MODEL	MODULE LENGTH	IMPERIAL SCHEDULE (INCH)			METRIC SCHEDULE (mm.)									
		1 SLOT DIFFUSER	2 SLOT DIFFUSER	1 SLOT DIFFUSER	2 SLOT DIFFUSER									
		H	D	W	H	D	W							
3/4" SLOT TBD475-FR TBDI475-FR	24	10	6	1 3/4	10	6	3 1/2	600	254	152	44	254	152	89
	30	10	6		10	6		750	254	152				
	36	10	6		10	6		900	254	152				
	48	12	6		12	8		1200	305	152				
	60	12	8		12	12*		1500	305	203*				
1" SLOT TBD4100-FR TBDI4100-FR	24	10	6	2	10	6	4	600	254	152	51	254	152	102
	30	10	6		12	8		750	254	152				
	36	10	6		12	8		900	254	152				
	48	12	8		12	8		1200	305	203				
	60	12	12*		12	12*		1500	305	305*				
1 1/2" SLOT TBD4150-FR TBDI4150-FR	24	12	8	2 1/2	12	8	5	600	305	203	64	305	203	127
	30	12	8		12	10*		750	305	203				
	36	12	8		12	10*		900	305	203				
	48	12	8		12	14*		1200	305	203				
	60	12	12*		12	14*		1500	305	305*				

* SUPPLIED AS FLAT OVAL INLETS
 10" = 6 x 12 1/8 (254 = 152 x 307)
 12" = 6 x 15 1/4 (305 = 152 x 387)
 14" = 6 x 18 3/8 (356 = 152 x 467)

NOTES:

- FIRE RATED 3 HOURS, 165' FUSIBLE LINK
- UL CLASSIFIED FIRE RATED CEILING DIFFUSER ASSEMBLY. LISTED IN UNDERWRITERS LABORATORIES FIRE RESISTANCE DIRECTORY.
- ULC CLASSIFIED FIRE RATED CEILING DIFFUSER ASSEMBLY. LISTED IN UNDERWRITERS LABORATORIES OF CANADA LIST OF EQUIPMENT AND MATERIALS
- OVERALL LENGTH = MODULE - 1/4" (6)
- 1/4(6) COATED FIBERGLASS INTERNAL INSULATION AVAILABLE.
- FACTORY INSTALLED T-BAR CLIPS - ALL SIDES
- DUCT: STEEL OR FLEXIBLE DUCT CONNECTIONS AS PER FIRE RATED DESIGN REQUIREMENTS.
- INSTALLATION INSTRUCTIONS: SEE SUBMITTAL 228795

FINISH:

- PLENUM FACE & BLADE - B17 BLACK
 - CENTRE T
 - B12 WHITE
- (OPTIONAL FINISHES AVAILABLE)

MATERIAL:

- SHELL - COATED STEEL
- BLADE & CENTRE T - EXTRUDED ALUMINUM.
- BLADE SEAL - VINYL
- NON ASBESTOS FIRE FLAP

OPTIONS:

- TBDI C/W 1/4(6) INTERNAL INSULATION
- 212°F FUSIBLE LINK



ALL METRIC DIMENSIONS () ARE SOFT CONVERTED. IMPERIAL DIMENSIONS ARE CONVERTED TO METRIC AND ROUNDED TO THE NEAREST MILLIMETER.

PROJECT:		PRICE [®]	
ENGINEER:			TBD4-FR, TBDI4-FR T-BAR SLOT DIFFUSER SUPPLY ASSEMBLY
CUSTOMER:			
SUBMITTAL DATE:	SPEC. SYMBOL:	APRIL 2002	