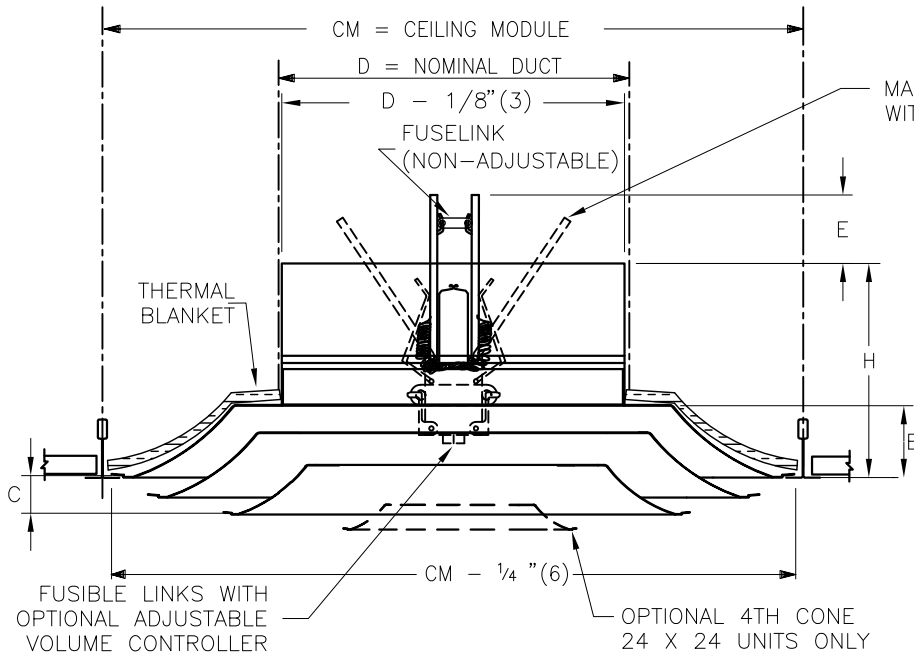
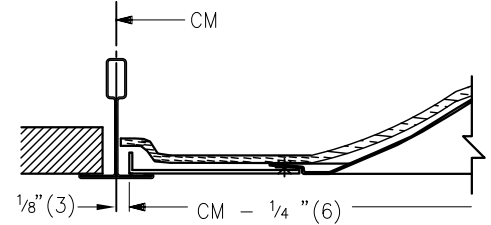


SCD-FR SQUARE CONE DIFFUSER FIRE RATED ASSEMBLY



3P T-BAR PANEL



	DIFFUSER SIZE		CM=NOM. PANEL SIZE MODULES	
	12X12	300x300		
<input type="checkbox"/>			24X12	600X300
<input type="checkbox"/>			20X20 24X24	500x500 600X600

IMPERIAL UNITS (Inches)

	CM	B	C	H	DUCT SIZE
<input type="checkbox"/>	24x24	2½	1⅛	6⅞	6,8,10,12,14,15
<input type="checkbox"/>	20X20	2½	½	6⅞	6,8,10
<input type="checkbox"/>	12x12	1⅛	1⅛	5⅜	5,6,7,8

SI UNITS (mm)

	CM	B	C	H	DUCT SIZE
<input type="checkbox"/>	600x600	64	27	167	152,203,254,305,356,381
<input type="checkbox"/>	500x500	64	13	167	152,203,254
<input type="checkbox"/>	300x300	29	27	132	127,152,178,203

ROUND NECK	
NOM. DUCT	E
5 (127)	½ (13)
6 (152)	1 (25)
7 (178)	1½ (51)
8 (203)	2 (51)
10 (254)	3 (76)
12 (305)	4 (102)
14 (356)	5 (127)
15 (381)	5½ (140)

MATERIAL:

- STEEL CONSTRUCTION
- CEILING RADIATION DAMPER: GALVANIZED STEEL, BUTTERFLY TYPE
- THERMAL BLANKET: NON ASBESTOS

FINISH:

- B12 WHITE (OPTIONAL FINISHES AVAILABLE)

OPTION:

- ADJUSTABLE VOLUME CONTROLLER (ALLEN KEY ADJUSTABLE)
- 165°F (74°C) FUSIBLE LINK (STANDARD)
- 212°F (100°C) FUSIBLE LINK

NOTE:

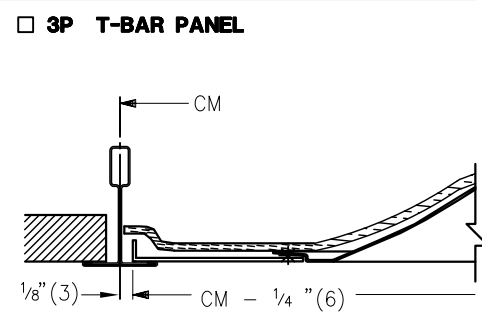
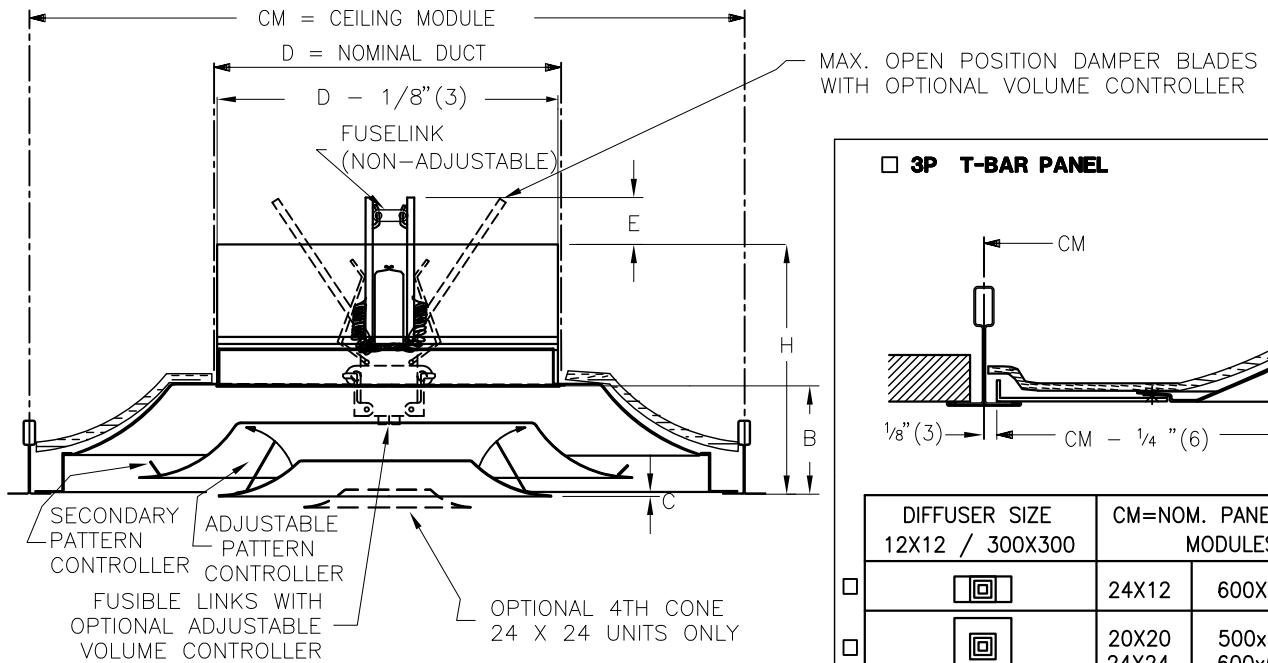
- FIRE RATED 3 HOUR.
- UL CLASSIFIED FIRE RATED CEILING DIFFUSER ASSEMBLY. LISTED IN UNDERWRITERS LABORATORIES FIRE RESISTANCE DIRECTORY.
- ULC CLASSIFIED FIRE RATED CEILING DIFFUSER ASSEMBLY. LISTED IN UNDERWRITERS OF CANADA LABORATORIES LIST OF EQUIPMENT AND MATERIALS.
- DUCT: STEEL OR FLEXIBLE DUCT CONNECTIONS (BY OTHERS) AS PER FIRE RATED DESIGN REQUIREMENTS.
- INSTALLATION INSTRUCTIONS: 228791 OR FOR PANEL SEE SUBMITTAL 233667
- FIRE RATED DIFFUSERS ARE TO BE INSTALLED IN FIRE RATED T-BAR APPLICATIONS ONLY.

ALL METRIC DIMENSIONS () ARE SOFT CONVERTED. IMPERIAL DIMENSIONS ARE CONVERTED TO METRIC AND ROUNDED TO THE NEAREST MILLIMETER.



PROJECT:		PRICE®	
ENGINEER:			SCD-FR SQUARE CONE DIFFUSER FIRE RATED ASSEMBLY
CUSTOMER:		228719	
SUBMITTAL DATE:	SPEC. SYMBOL:	2015/03/31	

SCDA-FR SQUARE CONE DIFFUSER FIRE RATED ASSEMBLY



DIFFUSER SIZE	CM=NOM. PANEL SIZE MODULES	
12X12 / 300X300	24X12	600X300
20X20	500x500	600x600

IMPERIAL UNITS (Inches)

CM	B(MAX)	C(MAX)	H(MAX)	DUCT SIZE
24x24	3 ³ / ₄	1 ¹ / ₈	7 ¹³ / ₁₆	6,8,10,12,14,15*
20X20	2 ⁷ / ₈	-	6 ¹⁵ / ₁₆	6*,8*,10*
12x12	1 ³ / ₄	5 ⁷ / ₈	5 ⁷ / ₈	5,6,7,8*

SI UNITS (mm)

CM	B(MAX)	C(MAX)	H(MAX)	DUCT SIZE
600x600	95	3	198	152,203,254,305,356,381*
500x500	73	-	176	152*, 203*, 254*
300x300	44	16	149	127,152,178,203*

ROUND NECK	
NOM. DUCT	E
5 (127)	1/2 (13)
6 (152)	1 (25)
7 (178)	1 1/2 (51)
8 (203)	2 (51)
10 (254)	3 (76)
12 (305)	4 (102)
14 (356)	5 (127)
15 (381)	5 1/2 (140)

MATERIAL:

- STEEL CONSTRUCTION
- CEILING RADIATION DAMPER: GALVANIZED STEEL, BUTTERFLY TYPE
- THERMAL BLANKET: NON ASBESTOS

FINISH:

- B12 WHITE (OPTIONAL FINISHES AVAILABLE)

OPTION:

- ADJUSTABLE VOLUME CONTROLLER (ALLEN KEY ADJUSTABLE)
- 165°F (74°C) FUSIBLE LINK (STANDARD)
- 212°F (100°C) FUSIBLE LINK

NOTE:

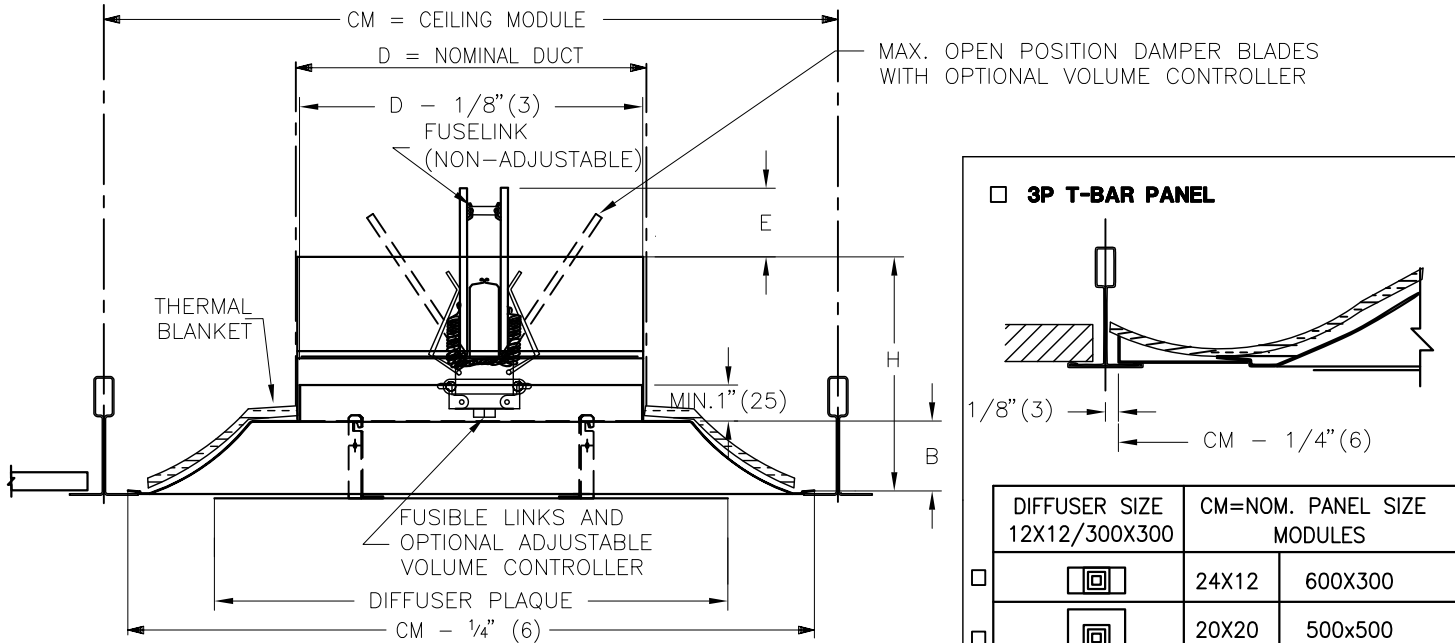
- SECONDARY PATTERN CONTROLLERS WILL BE SUPPLIED ON UNITS INDICATED WITH (*)
- B, C & H DIMENSIONS VARY DEPENDING ON NECK SIZE.
- FIRE RATED 3 HOUR.
- UL CLASSIFIED FIRE RATED CEILING DIFFUSER ASSEMBLY. LISTED IN UNDERWRITERS LABORATORIES FIRE RESISTANCE DIRECTORY.
- ULC CLASSIFIED FIRE RATED CEILING DIFFUSER ASSEMBLY. LISTED IN UNDERWRITERS OF CANADA LABORATORIES LIST OF EQUIPMENT AND MATERIALS.
- DUCT: STEEL OR FLEX DUCT CONNECTIONS (BY OTHERS) AS PER FIRE RATED DESIGN REQUIREMENTS.
- INSTALLATION INSTRUCTIONS: 228791 OR FOR PANEL SEE SUBMITTAL 233667
- FIRE RATED DIFFUSERS ARE TO BE INSTALLED IN FIRE RATED T-BAR APPLICATIONS ONLY.



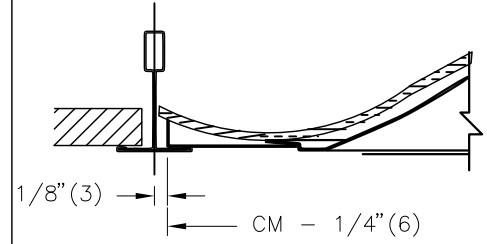
ALL METRIC DIMENSIONS () ARE SOFT CONVERTED. IMPERIAL DIMENSIONS ARE CONVERTED TO METRIC AND ROUNDED TO THE NEAREST MILLIMETER.

PROJECT:		PRICE®	
ENGINEER:			
CUSTOMER:		228720	SCDA-FR SQUARE CONE DIFFUSER FIRE RATED ASSEMBLY
SUBMITTAL DATE:	SPEC. SYMBOL:	2015/03/31	

SPD-FR SQUARE PLAQUE DIFFUSER FIRE RATED ASSEMBLY



3P T-BAR PANEL



DIFFUSER SIZE	CM=NOM. PANEL SIZE MODULES	
12X12/300X300	24X12	600X300
<input type="checkbox"/>		
<input type="checkbox"/>	20X20	500x500
	24X24	600x600

IMPERIAL UNITS (Inches)

CM	B	H	DUCT SIZE
<input type="checkbox"/> 24x24 (610x610)	2½ (64)	6 ⁹ / ₁₆ (167)	6,8,10,12,14,15 (152,203,254,305,356,381)
<input type="checkbox"/> 20X20 (508X508)	2½ (64)	6 ⁹ / ₁₆ (167)	6,8,10 (152,203,254)
<input type="checkbox"/> 12x12 (305X305)	1 ¹ / ₈ (29)	5 ³ / ₁₆ (132)	5,6,7,8 (127,152,178,203)

SI UNITS (mm)

CM	B	H	DUCT SIZE
<input type="checkbox"/> 600x600	64	167	152,203,254,305,356,381
<input type="checkbox"/> 500x500	64	167	152,203,254
<input type="checkbox"/> 300x300	29	132	127,152,178,203

ROUND NECK	
NOM. DUCT	E
5 (127)	½ (13)
6 (152)	1 (25)
7 (178)	1½ (51)
8 (203)	2 (51)
10 (254)	3 (76)
12 (305)	4 (102)
14 (356)	5 (127)
15 (381)	5½ (140)

MATERIAL:

- STEEL CONSTRUCTION
- CEILING RADIATION DAMPER: GALVANIZED STEEL, BUTTERFLY TYPE
- THERMAL BLANKET: NON ASBESTOS

FINISH:

- B12 WHITE (OPTIONAL FINISHES AVAILABLE)

OPTION:

- ADJUSTABLE VOLUME CONTROLLER (ALLEN KEY)
- 165°F (74°C) FUSIBLE LINK (STANDARD)
- 212°F (100°C) FUSE LINK

NOTE:

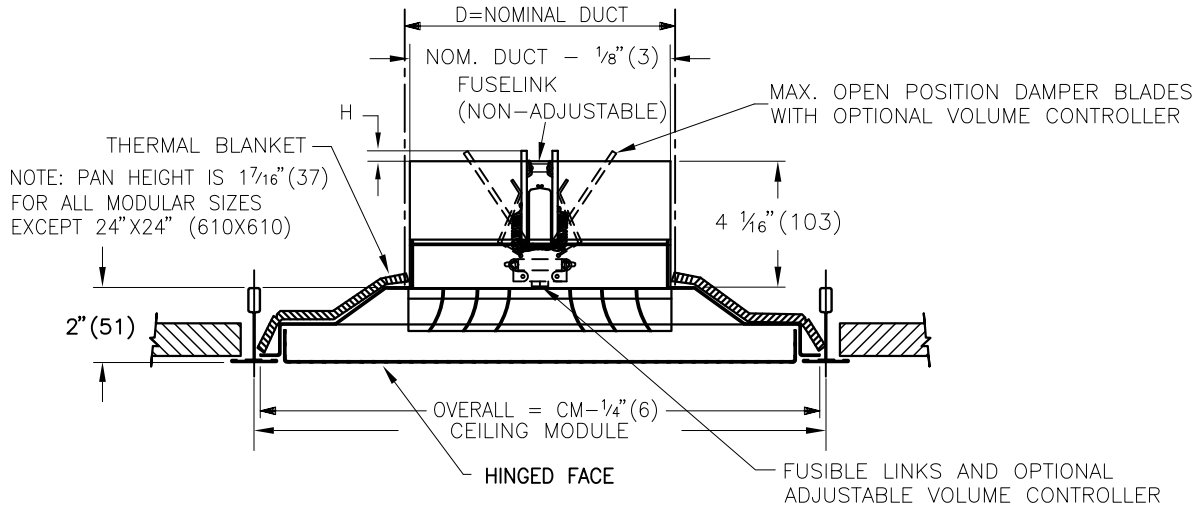
- FIRE RATED 3 HOUR.
- UL CLASSIFIED FIRE RATED CEILING DIFFUSER ASSEMBLY LISTED IN UNDERWRITERS LABORATORIES FIRE RESISTANCE DIRECTORY.
- ULC CLASSIFIED FIRE RATED CEILING DIFFUSER LISTED IN UNDERWRITERS OF CANADA LIST OF EQUIPMENT AND MATERIALS.
- DUCT: STEEL OR FLEX DUCT CONNECTIONS (BY OTHERS) AS PER FIRE RATED DESIGN REQUIREMENTS.
- INSTALLATION INSTRUCTIONS: 228791 OR FOR PANEL SEE SUBMITTAL 233667
- FIRE RATED DIFFUSERS ARE TO BE INSTALLED IN FIRE RATED T-BAR APPLICATIONS ONLY.



ALL METRIC DIMENSIONS () ARE SOFT CONVERTED. IMPERIAL DIMENSIONS ARE CONVERTED TO METRIC AND ROUNDED TO THE NEAREST MILLIMETER.

PROJECT:		PRICE®
ENGINEER:		
CUSTOMER:		SPD-FR
SUBMITTAL DATE:		SQUARE PLAQUE DIFFUSER FIRE RATED ASSEMBLY
SPEC. SYMBOL:	2015/03/31	

PDN-FR PERFORATED DIFFUSER, FIRE RATED ASSEMBLY



		D SQUARE DUCT					D ROUND DUCT					
		6x6 (152x152)	8x8 (203x203)	10x10 (254x254)	12x12 (305x305)	14x14 (356x356)	6\"	8\"	10\"	12\"	14\"	15\"
CEILING MODULE (CM)	12x12 (305x305)	•					•					
	20x20 (508x508)	•	•	•			•	•	•			
	24x24 (610x610)	•	•	•	•	•	•	•	•	•	•	•
METRIC	300x300	•					•					
	500x500	•	•	•			•	•	•			
	600x600	•	•	•	•	•	•	•	•	•	•	•

ROUND NECK		SQUARE NECK	
NOM. DUCT	H	NOM. DUCT	H
6 (152)	1 (25)	6 X 6	2
8 (203)	2 (51)	(152 X 152)	(51)
10 (254)	3 (76)	8 X 8	3
12 (305)	4 (102)	(203 X 203)	(76)
14 (356)	5 (127)	10 X 10	4
15 (381)	5 1/2 (140)	(254 X 254)	(102)
		12 X 12	5
		(305 X 305)	(127)
		14 X 14	6
		(356 X 356)	(152)
		15 X 15	6 1/2
		(381 X 381)	(165)

MATERIAL:

- STEEL CONSTRUCTION
- CEILING RADIATION DAMPER: BUTTERFLY TYPE.
- THERMAL BLANKET: NON ASBESTOS

FINISH:

- B12 WHITE (OPTIONAL FINISHES AVAILABLE)

OPTION:

- ADJUSTABLE VOLUME CONTROLLER (ALLEN KEY ADJUSTABLE)
- 165°F (74°C) FUSIBLE LINK (STANDARD)
- 212°F (100°C) FUSIBLE LINK

NOTE:

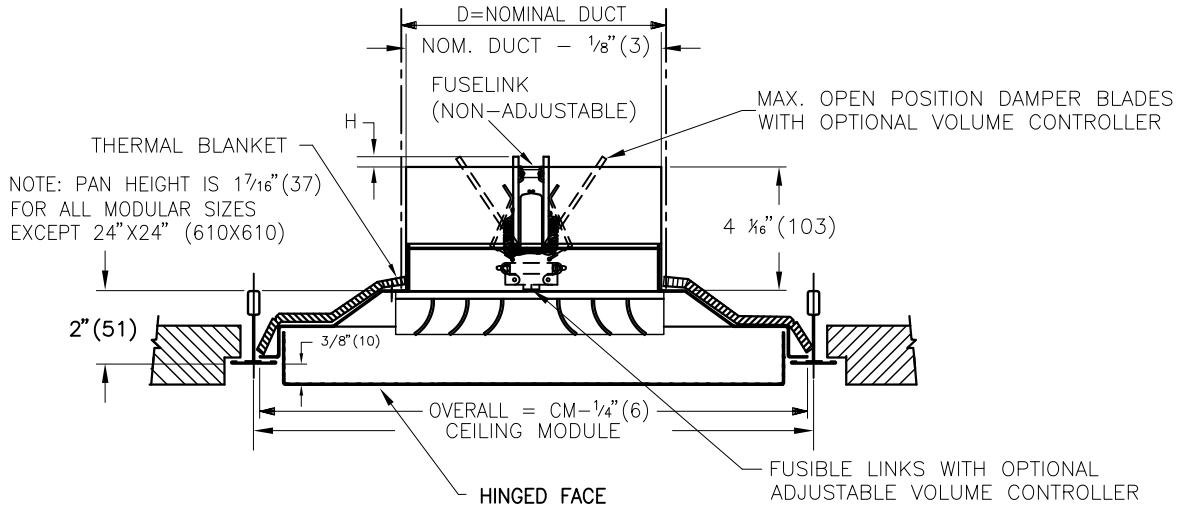
- FIRE RATED 3 HOUR.
- UL CLASSIFIED FIRE RATED CEILING DIFFUSER ASSEMBLY. LISTED IN UNDERWRITERS LABORATORIES FIRE RESISTANCE DIRECTORY.
- ULC CLASSIFIED FIRE RATED CEILING DIFFUSER ASSEMBLY. LISTED IN UNDERWRITERS OF CANADA LABORATORIES LIST OF EQUIPMENT AND MATERIALS.
- DEFLECTORS ARE FACTORY SUPPLIED IN A 4 WAY PATTERN SETTING.
- OTHER PATTERN SETTINGS CAN BE ACHIEVED BY ROTATING DEFLECTORS.
- DUCT: STEEL OR FLEXIBLE DUCT CONNECTIONS AS PER FIRE RATED DESIGN REQUIREMENTS.
- INSTALLATION INSTRUCTIONS: SEE SUBMITTAL 228791
- FIRE RATED DIFFUSERS ARE TO BE INSTALLED IN FIRE RATED T-BAR APPLICATIONS ONLY.



ALL METRIC DIMENSIONS () ARE SOFT CONVERTED. IMPERIAL DIMENSIONS ARE CONVERTED TO METRIC AND ROUNDED TO THE NEAREST MILLIMETER.

PROJECT:		PRICE®	
ENGINEER:		 228722	PDN-FR PERFORATED DIFFUSER WITH NECK DEFLECTORS FIRE RATED
CUSTOMER:			
SUBMITTAL DATE:	SPEC. SYMBOL:	2015/03/31	

PDNE-FR PERFORATED DIFFUSER, EXTENDED FACE, FIRE RATED ASSEMBLY



NOTE: PAN HEIGHT IS 1 7/16" (37)
FOR ALL MODULAR SIZES
EXCEPT 24" X 24" (610 X 610)

		D SQUARE DUCT						D ROUND DUCT					
		6x6 (152x152)	8x8 (203x203)	10x10 (254x254)	12x12 (305x305)	14x14 (356x356)	15x15 (381x381)	6" (152)	8" (203)	10" (254)	12" (305)	14" (356)	15" (381)
CEILING MODULE (CM)	12x12 (305x305)	•						•					
	20x20 (508x508)	•	•	•				•	•	•			
	24x24 (610x610)	•	•	•	•	•	•	•	•	•	•	•	•
	300x300	•						•					
METRIC	500x500	•	•	•				•	•	•			
	600x600	•	•	•	•	•	•	•	•	•	•	•	•

ROUND NECK		SQUARE NECK	
NOM. DUCT	H	NOM. DUCT	H
6 (152)	1 (25)	6 X 6	2
8 (203)	2 (51)	(152 X 152)	(51)
10 (254)	3 (76)	8 X 8	3
12 (305)	4 (102)	(203 X 203)	(76)
14 (356)	5 (127)	10 X 10	4
15 (381)	5 1/2 (140)	(254 X 254)	(102)
		12 X 12	5
		(305 X 305)	(127)
		14 X 14	6
		(356 X 356)	(152)
		15 X 15	6 1/2
		(381 X 381)	(165)

MATERIAL:

- STEEL CONSTRUCTION
- CEILING RADIATION DAMPER: BUTTERFLY TYPE.
- THERMAL BLANKET: NON ASBESTOS

FINISH:

- B12 WHITE (OPTIONAL FINISHES AVAILABLE)

OPTION:

- ADJUSTABLE VOLUME CONTROLLER (ALLEN KEY ADJUSTABLE)
- 165°F (74°C) FUSIBLE LINK (STANDARD)
- 212°F (100°C) FUSIBLE LINK

NOTE:

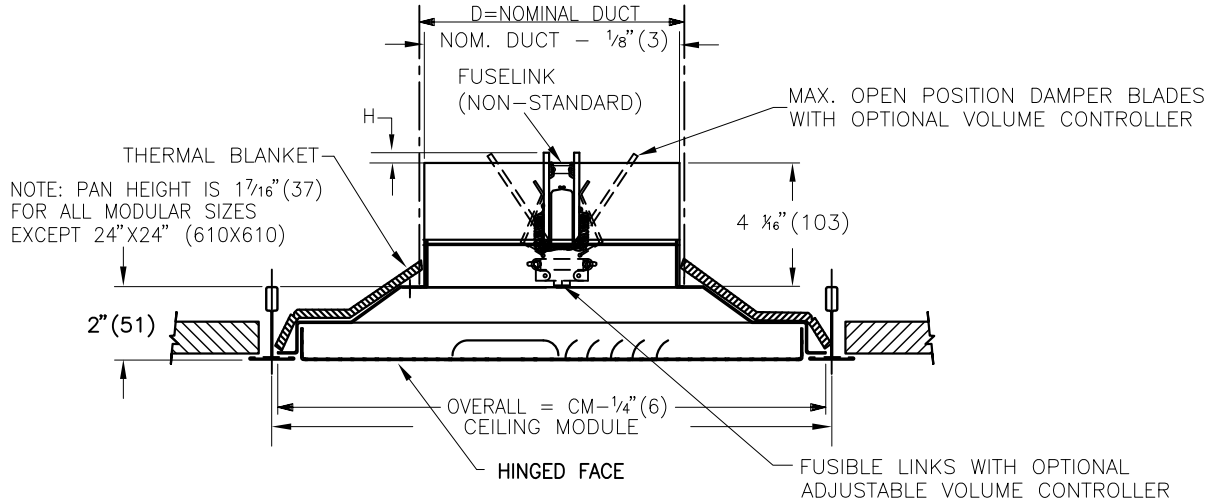
- FIRE RATED 3 HOUR.
- UL CLASSIFIED FIRE RATED CEILING DIFFUSER ASSEMBLY. LISTED IN UNDERWRITERS LABORATORIES FIRE RESISTANCE DIRECTORY.
- ULC CLASSIFIED FIRE RATED CEILING DIFFUSER ASSEMBLY. LISTED IN UNDERWRITERS OF CANADA LABORATORIES LIST OF EQUIPMENT AND MATERIALS.
- DEFLECTORS ARE FACTORY SUPPLIED IN A 4 WAY PATTERN SETTING.
- OTHER PATTERN SETTINGS CAN BE ACHIEVED BY ROTATING DEFLECTORS.
- DUCT: STEEL OR FLEXIBLE DUCT CONNECTIONS AS PER FIRE RATED DESIGN REQUIREMENTS.
- INSTALLATION INSTRUCTIONS: SEE SUBMITTAL 228791
- FIRE RATED DIFFUSERS ARE TO BE INSTALLED IN FIRE RATED T-BAR APPLICATIONS ONLY.



ALL METRIC DIMENSIONS () ARE SOFT CONVERTED. IMPERIAL DIMENSIONS ARE CONVERTED TO METRIC AND ROUNDED TO THE NEAREST MILLIMETER.

PROJECT:		PRICE®	
ENGINEER:		 228723	PDNE-FR EXTENDED FACE PERFORATED DIFFUSER WITH NECK DEFLECTORS FIRE RATED
CUSTOMER:			
SUBMITTAL DATE:	SPEC. SYMBOL:	2015/03/31	REV C

PDF-FR PERFORATED DIFFUSER, FACE DEFLECTORS, FIRE RATED ASSEMBLY



		D SQUARE DUCT					D ROUND DUCT					
		6x6 (152x152)	8x8 (203x203)	10x10 (254x254)	12x12 (305x305)	14x14 (356x356)	6" (152)	8" (203)	10" (254)	12" (305)	14" (356)	15" (381)
<input type="checkbox"/>	CEILING MODULE (CM)											
<input type="checkbox"/>	IMPERIAL	12x12 (305x305)	20x20 (508x508)	24x24 (610x610)								
<input type="checkbox"/>	METRIC	300x300	500x500	600x600								

ROUND NECK		SQUARE NECK	
NOM. DUCT	H	NOM. DUCT	H
6 (152)	1 (25)	6 X 6 (152 X 152)	2 (51)
8 (203)	2 (51)	8 X 8 (203 X 203)	3 (76)
10 (254)	3 (76)	10 X 10 (254 X 254)	4 (102)
12 (305)	4 (102)	12 X 12 (305 X 305)	5 (127)
14 (356)	5 (127)	14 X 14 (356 X 356)	6 (152)
15 (381)	5 1/2 (140)		

MATERIAL:

- STEEL CONSTRUCTION
- CEILING RADIATION DAMPER: BUTTERFLY TYPE.
- THERMAL BLANKET: NON ASBESTOS

FINISH:

- B12 WHITE (OPTIONAL FINISHES AVAILABLE)

OPTION:

- ADJUSTABLE VOLUME CONTROLLER (ALLEN KEY ADJUSTABLE)
- 165°F (74°C) FUSIBLE LINK (STANDARD)
- 212°F (100°C) FUSIBLE LINK

NOTE:

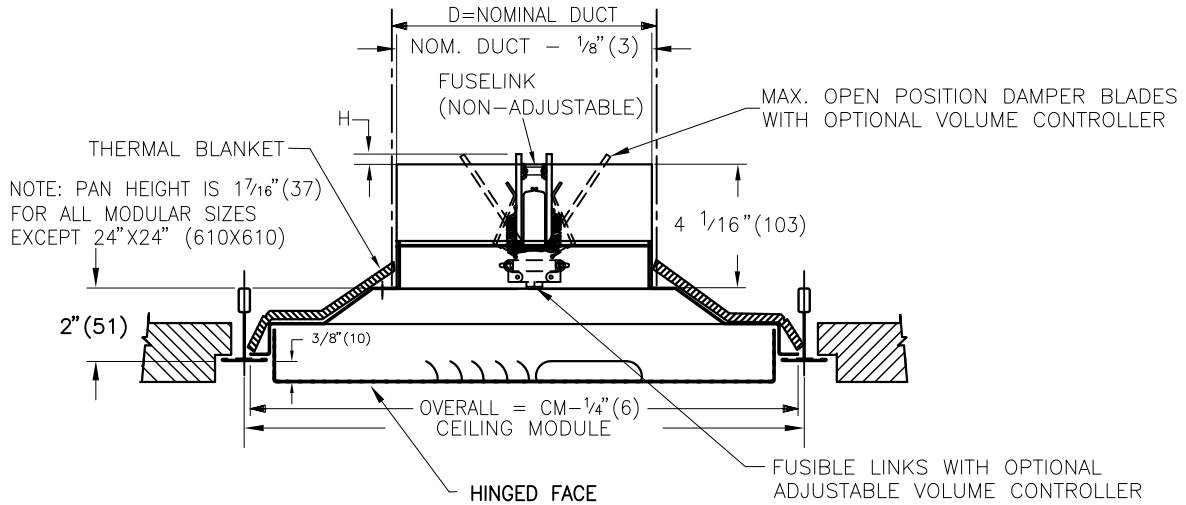
- FIRE RATED 3 HOUR.
- UL CLASSIFIED FIRE RATED CEILING DIFFUSER ASSEMBLY. LISTED IN UNDERWRITERS LABORATORIES FIRE RESISTANCE DIRECTORY.
- ULC CLASSIFIED FIRE RATED CEILING DIFFUSER ASSEMBLY. LISTED IN UNDERWRITERS OF CANADA LABORATORIES LIST OF EQUIPMENT AND MATERIALS.
- DEFLECTORS ARE FACTORY SUPPLIED IN A 4 WAY PATTERN SETTING.
- OTHER PATTERN SETTINGS CAN BE ACHIEVED BY ROTATING DEFLECTORS.
- DUCT: STEEL OR FLEXIBLE DUCT CONNECTIONS AS PER FIRE RATED DESIGN REQUIREMENTS.
- INSTALLATION INSTRUCTIONS: SEE SUBMITTAL 228791
- FIRE RATED DIFFUSERS ARE TO BE INSTALLED IN FIRE RATED T-BAR APPLICATIONS ONLY.



ALL METRIC DIMENSIONS () ARE SOFT CONVERTED. IMPERIAL DIMENSIONS ARE CONVERTED TO METRIC AND ROUNDED TO THE NEAREST MILLIMETER.

PROJECT:		PRICE®	
ENGINEER:		<i>MJ</i>	PDF-FR PERFORATED DIFFUSER WITH FACE DEFLECTORS FIRE RATED
CUSTOMER:		228724	
SUBMITTAL DATE:	SPEC. SYMBOL:	2015/03/31	

PDFE-FR PERFORATED DIFFUSER, EXTENDED FACE, FIRE RATED ASSEMBLY



CEILING MODULE (CM)	D SQUARE DUCT						D ROUND DUCT						ROUND NECK		SQUARE NECK	
	6x6 (152x152)	8x8 (203x203)	10x10 (254x254)	12x12 (305x305)	14x14 (356x356)	15x15 (381x381)	6" (152)	8" (203)	10" (254)	12" (305)	14" (356)	15" (381)	NOM. DUCT	H	NOM. DUCT	H
12x12 (305x305)	•						•						6 (152)	1 (25)	6 X 6 (152 X 152)	2 (51)
20x20 (508x508)	•	•	•				•	•	•				8 (203)	2 (51)	8 X 8 (203 X 203)	3 (76)
24x24 (610x610)	•	•	•	•	•		•	•	•	•			10 (254)	3 (76)	10 X 10 (254 X 254)	4 (102)
													12 (305)	4 (102)	12 X 12 (305 X 305)	5 (127)
													14 (356)	5 (127)	14 X 14 (356 X 356)	6 (152)
													15 (381)	5 1/2 (140)		

MATERIAL:

- STEEL CONSTRUCTION
- CEILING RADIATION DAMPER: BUTTERFLY TYPE.
- THERMAL BLANKET: NON ASBESTOS

FINISH:

- B12 WHITE (OPTIONAL FINISHES AVAILABLE)

OPTION:

- ADJUSTABLE VOLUME CONTROLLER (ALLEN KEY ADJUSTABLE)
- 165°F (74°C) FUSIBLE LINK (STANDARD)
- 212°F (100°C) FUSIBLE LINK

NOTE:

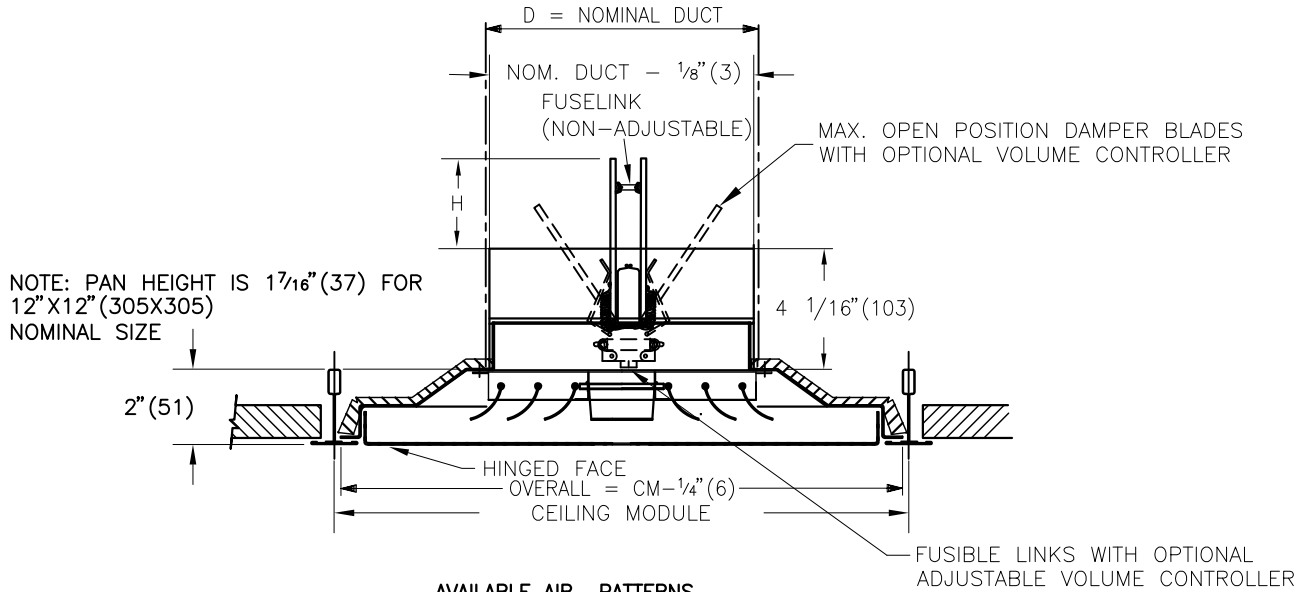
- FIRE RATED 3 HOUR.
- UL CLASSIFIED FIRE RATED CEILING DIFFUSER ASSEMBLY. LISTED IN UNDERWRITERS LABORATORIES FIRE RESISTANCE DIRECTORY.
- ULC CLASSIFIED FIRE RATED CEILING DIFFUSER ASSEMBLY. LISTED IN UNDERWRITERS OF CANADA LABORATORIES LIST OF EQUIPMENT AND MATERIALS.
- DEFLECTORS ARE FACTORY SUPPLIED IN A 4 WAY PATTERN SETTING.
- OTHER PATTERN SETTINGS CAN BE ACHIEVED BY ROTATING DEFLECTORS.
- DUCT: STEEL OR FLEXIBLE DUCT CONNECTIONS AS PER FIRE RATED DESIGN REQUIREMENTS.
- INSTALLATION INSTRUCTIONS: SEE SUBMITTAL 228791
- FIRE RATED DIFFUSERS ARE TO BE INSTALLED IN FIRE RATED T-BAR APPLICATIONS ONLY.



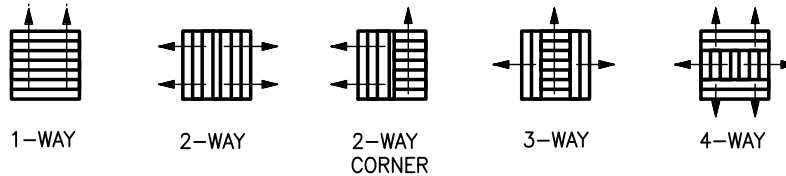
ALL METRIC DIMENSIONS () ARE SOFT CONVERTED. IMPERIAL DIMENSIONS ARE CONVERTED TO METRIC AND ROUNDED TO THE NEAREST MILLIMETER.

PROJECT:		PRICE®	
ENGINEER:			
CUSTOMER:		228725	PDFE-FR EXTENDED FACE PERFORATED DIFFUSER WITH FACE DEFLECTORS FIRE RATED
SUBMITTAL DATE:	SPEC. SYMBOL:	2015/03/31	

PDC-FR, PERFORATED DIFFUSER, FIRE RATED ASSEMBLY



AVAILABLE AIR PATTERNS



CEILING MODULE	ROUND DUCT SIZE	SQUARE DUCT SIZE
12x12 (305x305)	6 (152)	6x6 (152x152)
24x24 (610x610)	6,8,10,12,14,15 (152,203,254,305,356,381)	6x6,8x8,10x10,12x12,14x14,15x15, 16x16,18x18 (152x152,203x203,254x254,305x305 356x356,381x381,406x406,457x457)

ROUND NECK	
NOM. DUCT	H
6 (152)	1 (25)
8 (203)	2 (51)
10 (254)	3 (76)
12 (305)	4 (102)
14 (356)	5 (127)
15 (381)	5 1/2 (140)

SQUARE NECK	
NOM. DUCT	H
6 X 6 (152 X 152)	2 (51)
8 X 8 (203 X 203)	3 (76)
10 X 10 (254 X 254)	4 (102)
12 X 12 (305 X 305)	5 (127)
14 X 14 (356 X 356)	6 (152)
15 X 15 (381 X 381)	6 1/2 (165)
16 X 16 (406 X 406)	7 (179)
18 X 18 (457 X 457)	8 (203)

MATERIAL:

- STEEL CONSTRUCTION
- CEILING RADIATION DAMPER: BUTTERFLY TYPE.
- THERMAL BLANKET: NON ASBESTOS

FINISH:

- B12 WHITE (OPTIONAL FINISHES AVAILABLE)

OPTION:

- ADJUSTABLE VOLUME CONTROLLER (ALLEN KEY ADJUSTABLE)
- 162°F (74°C) FUSIBLE LINK (STANDARD)
- 212°F (100°C) FUSIBLE LINK

NOTE:

- FIRE RATED 3 HOUR.
- UL CLASSIFIED FIRE RATED CEILING DIFFUSER ASSEMBLY. LISTED IN UNDERWRITERS LABORATORIES FIRE RESISTANCE DIRECTORY.
- ULC CLASSIFIED FIRE RATED CEILING DIFFUSER ASSEMBLY. LISTED IN UNDERWRITERS OF CANADA LABORATORIES LIST OF EQUIPMENT AND MATERIALS.
- 1, 2, 2C, 3 & 4-WAY AIR PATTERNS HAVE INDIVIDUALLY ADJUSTABLE BLADES.
- CURVED BLADES ARE LOCATED AT THE INLET NECK AND ARE FIELD ADJUSTABLE FROM HORIZONTAL TO VERTICAL AIR PATTERN.
- DUCT: STEEL OR FLEXIBLE DUCT CONNECTIONS AS PER FIRE RATED DESIGN REQUIREMENTS.
- INSTALLATION INSTRUCTIONS: SEE SUBMITTAL 228791
- FIRE RATED DIFFUSERS ARE TO BE INSTALLED IN FIRE RATED T-BAR APPLICATIONS ONLY.

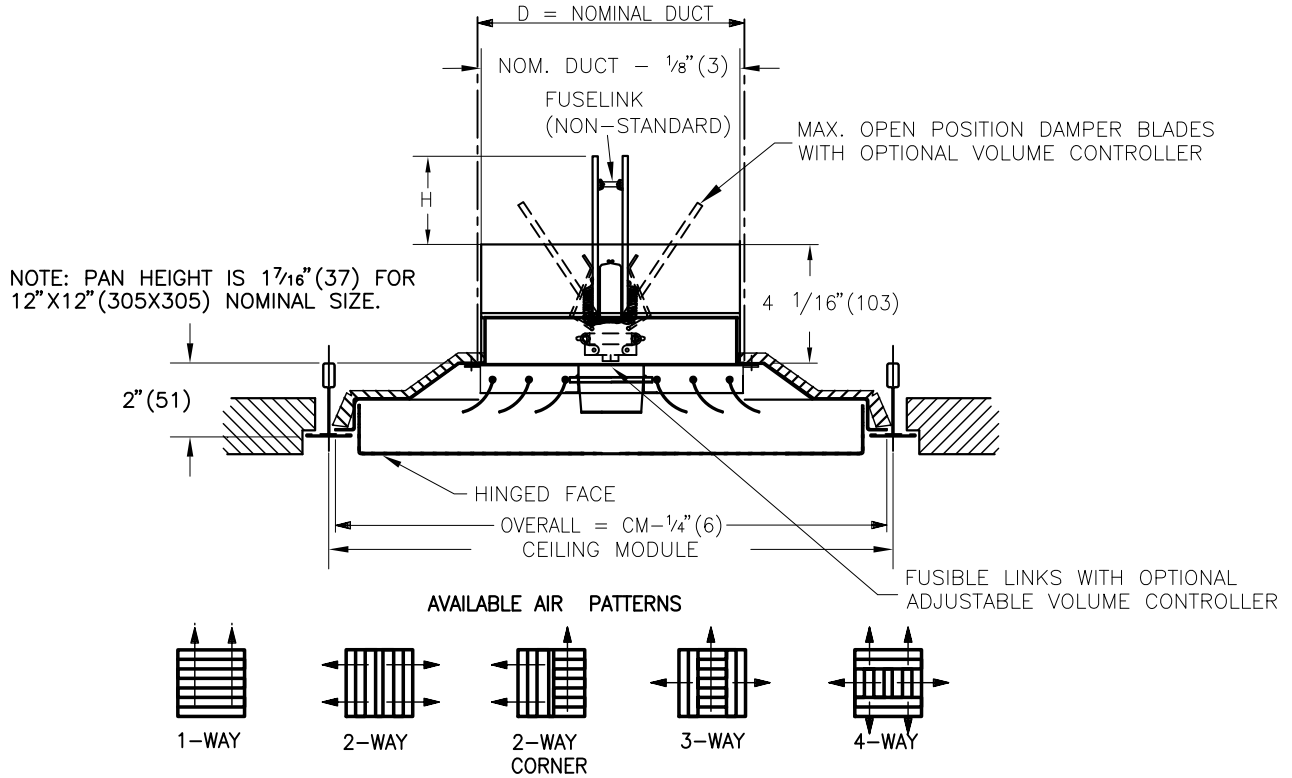


ALL METRIC DIMENSIONS () ARE SOFT CONVERTED. IMPERIAL DIMENSIONS ARE CONVERTED TO METRIC AND ROUNDED TO THE NEAREST MILLIMETER.

PROJECT:		PRICE®
ENGINEER:		
CUSTOMER:		228726
SUBMITTAL DATE:	SPEC. SYMBOL:	2015/03/31

PDC-FR
 PERFORATED DIFFUSER
 C/W ADJUSTABLE
 CURVED BLADES
 FIRE RATED

PDCE-FR, PERFORATED DIFFUSER, FIRE RATED ASSEMBLY



CEILING MODULE	ROUND DUCT SIZE	SQUARE DUCT SIZE
12x12 (305x305)	6 (152)	6x6 (152x152)
24x24 (610x610)	6,8,10,12,14,15 (152,203,254,305,356,381)	6x6,8x8,10x10,12x12,14x14,15x15, 16x16,18x18 (152x152,203x203,254x254,305x305 356x356,381x381,406x406,457x457)

ROUND NECK		SQUARE NECK	
NOM. DUCT	H	NOM. DUCT	H
6 (152)	1 (25)	6 X 6 (152 X 152)	2 (51)
8 (203)	2 (51)	8 X 8 (203 X 203)	3 (76)
10 (254)	3 (76)	10 X 10 (254 X 254)	4 (102)
12 (305)	4 (102)	12 X 12 (305 X 305)	5 (127)
14 (356)	5 (127)	14 X 14 (356 X 356)	6 (152)
15 (381)	5 1/2 (140)	15 X 15 (381 X 381)	6 1/2 (165)
		16 X 16 (406 X 406)	7 (179)
		18 X 18 (457 X 457)	8 (203)

MATERIAL:

- STEEL CONSTRUCTION
- CEILING RADIATION DAMPER: BUTTERFLY TYPE.
- THERMAL BLANKET: NON ASBESTOS

FINISH:

- B12 WHITE (OPTIONAL FINISHES AVAILABLE)

OPTION:

- ADJUSTABLE VOLUME CONTROLLER (ALLEN KEY ADJUSTABLE)
- 165°F (74°C) FUSIBLE LINK (STANDARD)
- 212°F (100°C) FUSIBLE LINK

NOTE:

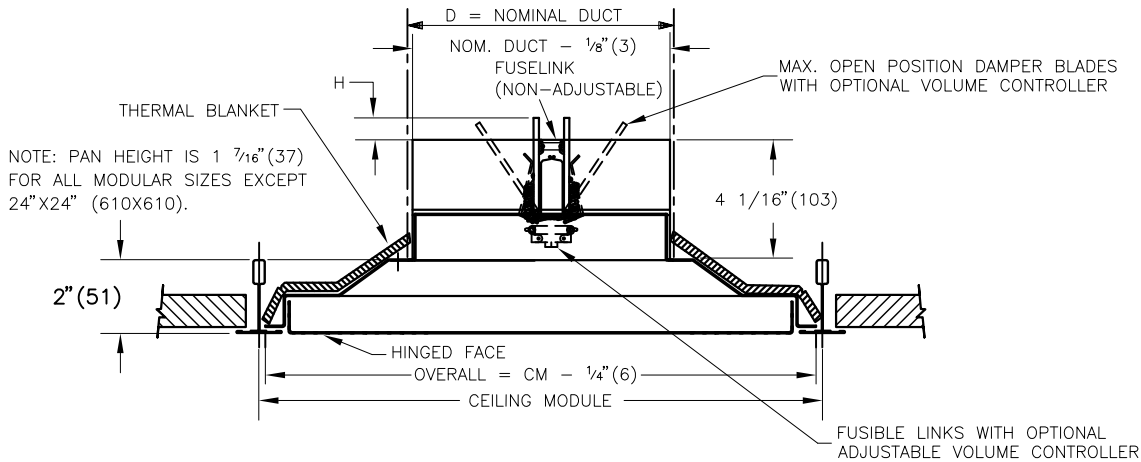
- FIRE RATED 3 HOUR.
- UL CLASSIFIED FIRE RATED CEILING DIFFUSER ASSEMBLY. LISTED IN UNDERWRITERS LABORATORIES FIRE RESISTANCE DIRECTORY.
- ULC CLASSIFIED FIRE RATED CEILING DIFFUSER ASSEMBLY. LISTED IN UNDERWRITERS OF CANADA LABORATORIES LIST OF EQUIPMENT AND MATERIALS.
- 1, 2, 2C, 3 & 4-WAY AIR PATTERNS HAVE INDIVIDUALLY ADJUSTABLE BLADES.
- CURVED BLADES ARE LOCATED AT THE INLET NECK AND ARE FIELD ADJUSTABLE FROM HORIZONTAL TO VERTICAL AIR PATTERN.
- DUCT: STEEL OR FLEXIBLE DUCT CONNECTIONS AS PER FIRE RATED DESIGN REQUIREMENTS.
- INSTALLATION INSTRUCTIONS: SEE SUBMITTAL 228791
- FIRE RATED DIFFUSERS ARE TO BE INSTALLED IN FIRE RATED T-BAR APPLICATIONS ONLY.



ALL METRIC DIMENSIONS () ARE SOFT CONVERTED. IMPERIAL DIMENSIONS ARE CONVERTED TO METRIC AND ROUNDED TO THE NEAREST MILLIMETER.

PROJECT:		PRICE®	
ENGINEER:			
CUSTOMER:		228727	PDCE-FR PERFORATED DIFFUSER ADJUSTABLE CURVED BLADES EXTENDED FACE FIRE RATED
SUBMITTAL DATE:	SPEC. SYMBOL:	2015/03/31	

PDDR-FR PERFORATED DIFFUSER, DUCTED RETURN, FIRE RATED ASSEMBLY



		D SQUARE DUCT					D ROUND DUCT						
		6x6 (152x152)	8x8 (203x203)	10x10 (254x254)	12x12 (305x305)	14x14 (356x356)	15x15 (381x381)	6" (152)	8" (203)	10" (254)	12" (305)	14" (356)	15" (381)
<input type="checkbox"/>	CEILING MODULE (CM)												
<input type="checkbox"/>	IMPERIAL	12x12 (305x305)	•					•					
<input type="checkbox"/>		20x20 (505x508)	•	•				•	•	•			
<input type="checkbox"/>		24x24 (610x610)	•	•	•			•	•	•	•	•	•
<input type="checkbox"/>	METRIC	300x300	•					•					
<input type="checkbox"/>		500x500	•	•	•			•	•	•			
<input type="checkbox"/>		600x600	•	•	•	•	•	•	•	•	•	•	•

ROUND NECK		SQUARE NECK	
NOM. DUCT	H	NOM. DUCT	H
6 (152)	1 (25)	6 X 6	2
8 (203)	2 (51)	(152 X 152)	(51)
10 (254)	3 (76)	8 X 8	3
12 (305)	4 (102)	(203 X 203)	(76)
14 (356)	5 (127)	10 X 10	4
15 (381)	5 1/2 (140)	(254 X 254)	(102)
		12 X 12	5
		(305 X 305)	(127)
		14 X 14	6
		(356 X 356)	(152)
		15 X 15	6 1/2
		(381 X 381)	(165)

MATERIAL:

- STEEL CONSTRUCTION
- CEILING RADIATION DAMPER: BUTTERFLY TYPE.
- THERMAL BLANKET: NON ASBESTOS

FINISH:

- B12 WHITE (OPTIONAL FINISHES AVAILABLE)

OPTION:

- ADJUSTABLE VOLUME CONTROLLER (ALLEN KEY ADJUSTABLE)
- 165°F (74°C) FUSIBLE LINK (STANDARD)
- 212°F (100°C) FUSIBLE LINK

NOTE:

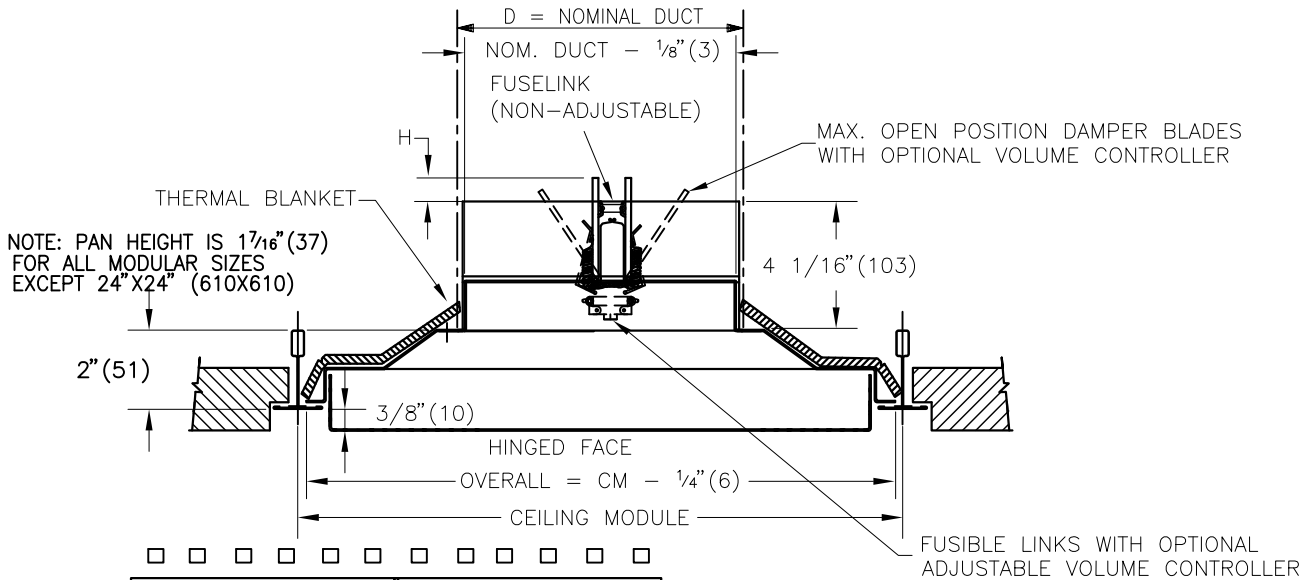
- FIRE RATED 3 HOUR.
- UL CLASSIFIED FIRE RATED CEILING DIFFUSER ASSEMBLY. LISTED IN UNDERWRITERS LABORATORIES FIRE RESISTANCE DIRECTORY.
- ULC CLASSIFIED FIRE RATED CEILING DIFFUSER ASSEMBLY. LISTED IN UNDERWRITERS OF CANADA LABORATORIES LIST OF EQUIPMENT AND MATERIALS.
- DUCT: STEEL OR FLEXIBLE DUCT CONNECTIONS. AS PER FIRE RATED DESIGN REQUIREMENTS.
- INSTALLATION INSTRUCTIONS: SEE SUBMITTAL 228791
- FIRE RATED DIFFUSERS ARE TO BE INSTALLED IN FIRE RATED T-BAR APPLICATIONS ONLY.



ALL METRIC DIMENSIONS () ARE SOFT CONVERTED. IMPERIAL DIMENSIONS ARE CONVERTED TO METRIC AND ROUNDED TO THE NEAREST MILLIMETER.

PROJECT:		PRICE®	
ENGINEER:			
CUSTOMER:		228728	PDDR-FR PERFORATED DIFFUSER DUCTED RETURN FIRE RATED
SUBMITTAL DATE:	SPEC. SYMBOL:	2015/03/31	

PDDRE-FR PERFORATED DIFFUSER, DUCTED RETURN, FIRE RATED ASSEMBLY



		D SQUARE DUCT						D ROUND DUCT					
		6x6 (152x152)	8x8 (203x203)	10x10 (254x254)	12x12 (305x305)	14x14 (356x356)	15x15 (381x381)	6" (152)	8" (203)	10" (254)	12" (305)	14" (356)	15" (381)
<input type="checkbox"/>	CEILING MODULE (CM)												
<input type="checkbox"/>	IMPERIAL	12x12 (305x305)	•					•					
<input type="checkbox"/>		20x20 (505x508)	•	•	•			•	•	•			
<input type="checkbox"/>		24x24 (610x610)	•	•	•	•	•	•	•	•	•	•	•
<input type="checkbox"/>	METRIC	300x300	•					•					
<input type="checkbox"/>		500x500	•	•	•			•	•	•			
<input type="checkbox"/>		600x600	•	•	•	•	•	•	•	•	•	•	•

ROUND NECK		SQUARE NECK	
NOM. DUCT	H	NOM. DUCT	H
6 (152)	1 (25)	6 X 6 (152 X 152)	2 (51)
8 (203)	2 (51)	8 X 8 (203 X 203)	3 (76)
10 (254)	3 (76)	10 X 10 (254 X 254)	4 (102)
12 (305)	4 (102)	12 X 12 (305 X 305)	5 (127)
14 (356)	5 (127)	14 X 14 (356 X 356)	6 (152)
15 (381)	5 1/2 (140)	15 X 15 (381 X 381)	6 1/2 (165)

MATERIAL:

- STEEL CONSTRUCTION
- CEILING RADIATION DAMPER: BUTTERFLY TYPE.
- THERMAL BLANKET: NON ASBESTOS

FINISH:

- B12 WHITE (OPTIONAL FINISHES AVAILABLE)

OPTION:

- ADJUSTABLE VOLUME CONTROLLER (ALLEN KEY ADJUSTABLE)
- 165°F (74°C) FUSIBLE LINK (STANDARD)
- 212°F (100°C) FUSIBLE LINK

NOTE:

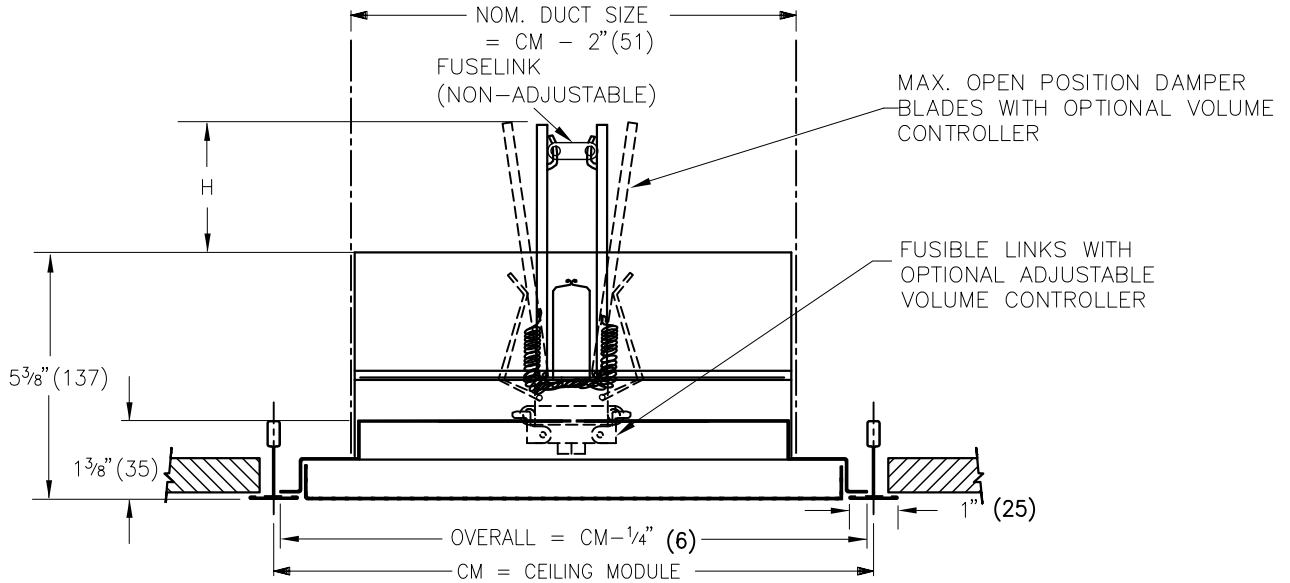
- FIRE RATED 3 HOUR.
- UL CLASSIFIED FIRE RATED CEILING DIFFUSER ASSEMBLY. LISTED IN UNDERWRITERS LABORATORIES FIRE RESISTANCE DIRECTORY.
- ULC CLASSIFIED FIRE RATED CEILING DIFFUSER ASSEMBLY. LISTED IN UNDERWRITERS OF CANADA LABORATORIES LIST OF EQUIPMENT AND MATERIALS.
- DUCT: STEEL OR FLEXIBLE DUCT CONNECTIONS AS PER FIRE RATED DESIGN REQUIREMENTS.
- INSTALLATION INSTRUCTIONS: SEE SUBMITTAL 228791
- FIRE RATED DIFFUSERS ARE TO BE INSTALLED IN FIRE RATED T-BAR APPLICATIONS ONLY.



ALL METRIC DIMENSIONS () ARE SOFT CONVERTED. IMPERIAL DIMENSIONS ARE CONVERTED TO METRIC AND ROUNDED TO THE NEAREST MILLIMETER.

PROJECT:		PRICE®	
ENGINEER:			
CUSTOMER:		228729	PDDRE-FR PERFORATED DIFFUSER DUCTED RETURN EXTENDED FACE FIRE RATED
SUBMITTAL DATE:		2015/03/31	
SPEC. SYMBOL:			

PDDR-FR PLENUM RETURN PERFORATED FIRE RATED DIFFUSER ASSEMBLY



	CEILING MODULE (CM)	NOM. DUCT SIZE (SQUARE)
<input type="checkbox"/>	12x12 (305x305)	10x10 (245x245)
<input type="checkbox"/>	24x12 (610x305)	22x10 (559x254)
<input type="checkbox"/>	16x16 (406x406)	14x14 (356x356)
<input type="checkbox"/>	20x20 (508x508)	18x18 (547x547)
<input type="checkbox"/>	24x24 (610x610)	22x22 (559x559)
<input type="checkbox"/>	300 x 300	249x249
<input type="checkbox"/>	600 x 300	549x549
<input type="checkbox"/>	400 x 400	349x349
<input type="checkbox"/>	500 x 500	449x449
<input type="checkbox"/>	600 x 600	549x549

SQUARE NECK	
NOM. DUCT	H
10 X 10 (254 X 254)	4 (102)
14 X 14 (356 X 356)	6 (152)
18 X 18 (547 X 547)	8 (203)
22 X 10 (559 X 254)	4 (102)
22 X 22 (559 X 559)	10 (254)

NOTE:

- FIRE RATED 3 HOUR.
- UL CLASSIFIED FIRE RATED CEILING DIFFUSER ASSEMBLY. LISTED IN UNDERWRITERS LABORATORIES FIRE RESISTANCE DIRECTORY.
- ULC CLASSIFIED FIRE RATED CEILING DIFFUSER ASSEMBLY. LISTED IN UNDERWRITERS OF CANADA LABORATORIES LIST OF EQUIPMENT AND MATERIALS.
- DUCT: STEEL OR FLEXIBLE DUCT CONNECTIONS AS PER FIRE RATED DESIGN REQUIREMENTS.
- INSTALLATION INSTRUCTIONS: SEE SUBMITTAL 228791
- FIRE RATED DIFFUSERS ARE TO BE INSTALLED IN FIRE RATED T-BAR APPLICATIONS ONLY.

FINISH:

- B12 WHITE (OPTIONAL FINISHES AVAILABLE)

MATERIAL:

- PDDR - STEEL CONSTRUCTION

OPTIONS:

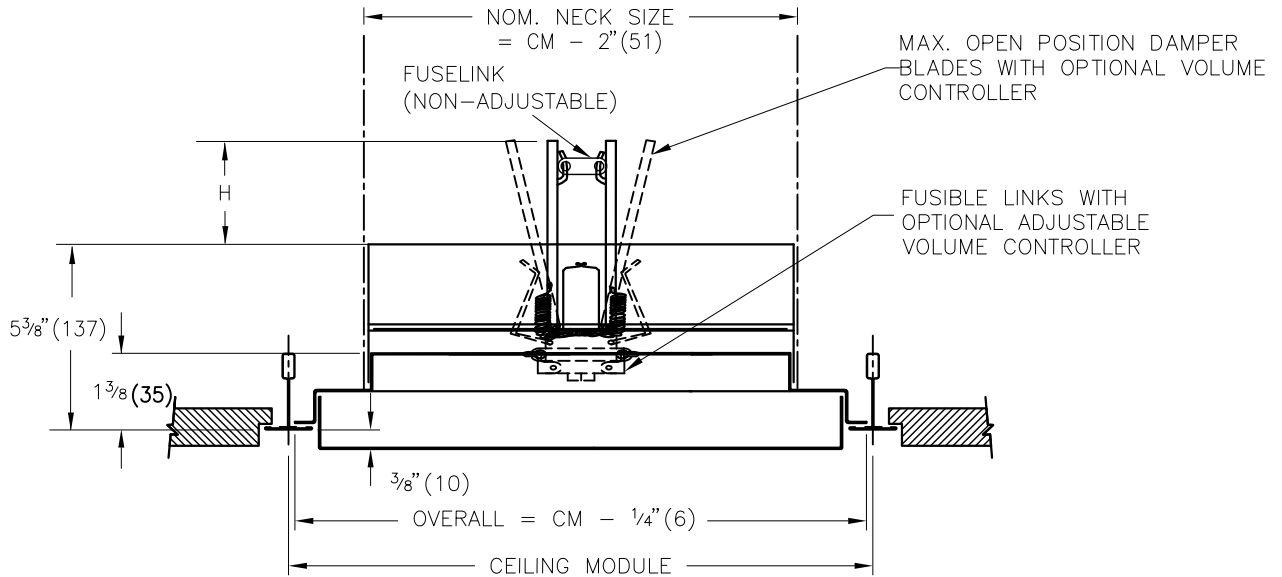
- ADJUSTABLE VOLUME CONTROLLER (ALLEN KEY ADJUSTABLE)
- 165°F (74°C) FUSIBLE LINK (STANDARD)
- 212°F (100°C) FUSIBLE LINK



ALL METRIC DIMENSIONS () ARE SOFT CONVERTED. IMPERIAL DIMENSIONS ARE CONVERTED TO METRIC AND ROUNDED TO THE NEAREST MILLIMETER.

PROJECT:		PRICE®
ENGINEER:	<i>[Signature]</i>	
CUSTOMER:		PDDR-FR PLENUM RETURN PERF. FACE DIFFUSER MAXIMUM SQUARE NECK
SUBMITTAL DATE:	SPEC. SYMBOL:	230757 2015/03/31

PDDRE-FR PLENUM RETURN PERFORATED EXTENDED FACE FIRE RATED DIFFUSER ASSEMBLY



	CEILING MODULE (CM)	NECK SIZE (SQUARE)
<input type="checkbox"/>	12x12 (305x305)	10x10 (254x254)
<input type="checkbox"/>	24x12 (610x305)	22x10 (559x254)
<input type="checkbox"/>	16x16 (406x406)	14x14 (356x356)
<input type="checkbox"/>	20x20 (508x508)	18x18 (457x457)
<input type="checkbox"/>	24x24 (610x610)	22x22 (559x559)
<input type="checkbox"/>	300 x 300	249x249
<input type="checkbox"/>	600 x 300	549x549
<input type="checkbox"/>	400 x 400	349x349
<input type="checkbox"/>	500 x 500	449x449
<input type="checkbox"/>	600 x 600	549x549

SQUARE NECK	
NOM. DUCT	H
10 X 10 (254 X 254)	4 (102)
14 X 14 (356 X 356)	6 (152)
18 X 18 (547 X 547)	8 (203)
22 X 10 (559 X 254)	4 (102)
22 X 22 (559 X 559)	10 (254)

FINISH:

- B12 WHITE (OPTIONAL FINISHES AVAILABLE)

MATERIAL:

- PDDRE - STEEL CONSTRUCTION

OPTIONS:

- ADJUSTABLE VOLUME CONTROLLER (ALLEN KEY ADJUSTABLE)
- 165°F (74°C) FUSIBLE LINK (STANDARD)
- 212°F (100°C) FUSIBLE LINK

NOTE:

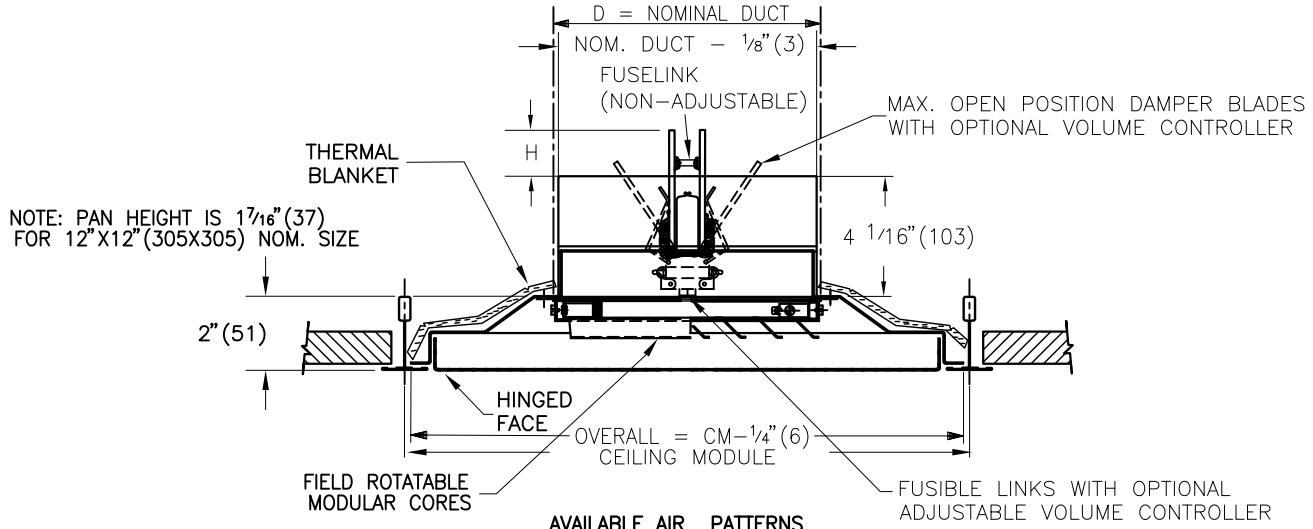
- FIRE RATED 3 HOUR.
- UL CLASSIFIED FIRE RATED CEILING DIFFUSER ASSEMBLY. LISTED IN UNDERWRITERS LABORATORIES FIRE RESISTANCE DIRECTORY.
- ULC CLASSIFIED FIRE RATED CEILING DIFFUSER ASSEMBLY. LISTED IN UNDERWRITERS OF CANADA LABORATORIES LIST OF EQUIPMENT AND MATERIALS.
- DUCT: STEEL OR FLEXIBLE DUCT CONNECTIONS AS PER FIRE RATED DESIGN REQUIREMENTS.
- INSTALLATION INSTRUCTIONS: SEE SUBMITTAL 228791
- FIRE RATED DIFFUSERS ARE TO BE INSTALLED IN FIRE RATED T-BAR APPLICATIONS ONLY.



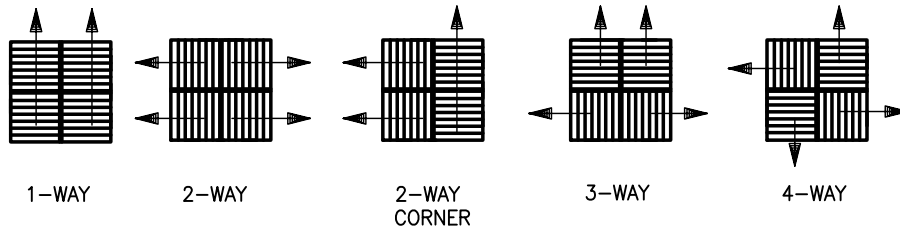
ALL METRIC DIMENSIONS () ARE SOFT CONVERTED. IMPERIAL DIMENSIONS ARE CONVERTED TO METRIC AND ROUNDED TO THE NEAREST MILLIMETER.

PROJECT:		PRICE®	
ENGINEER:		230758	PDDRE-FR PLENUM RETURN EXTENDED PERF. FACE MAXIMUM SQUARE NECK
CUSTOMER:			
SUBMITTAL DATE:	SPEC. SYMBOL:	2015/03/31	

PDMC-FR PERFORATED DIFFUSER MODULAR CORE FIRE RATED ASSEMBLY



AVAILABLE AIR PATTERNS



CEILING MODULE	ROUND DUCT SIZE	SQUARE DUCT SIZE
12x12 (305x305)	6 (152)	6x6 (152x152)
24x24 (610x610)	6,8,10,12,14,15 (152,203,254,305,356,381)	6x6,8x8,10x10,12x12,14x14,15x15,16x16,18x18 (152x152,203x203,254x254,305x305,356x356,381x381,406x406,457x457)

ROUND NECK		SQUARE NECK	
NOM. DUCT	H	NOM. DUCT	H
6 (152)	1 (25)	6 X 6 (152 X 152)	2 (51)
8 (203)	2 (51)	8 X 8 (203 X 203)	3 (76)
10 (254)	3 (76)	10 X 10 (254 X 254)	4 (102)
12 (305)	4 (102)	12 X 12 (305 X 305)	5 (127)
14 (356)	5 (127)	14 X 14 (356 X 356)	6 (152)
15 (381)	5 1/2 (140)	15 X 15 (381 X 381)	6 1/2 (165)
		16 X 16 (406 X 406)	7 (179)
		18 X 18 (457 X 457)	8 (203)

MATERIAL:

- STEEL CONSTRUCTION
- CEILING RADIATION DAMPER: BUTTERFLY TYPE.
- THERMAL BLANKET: NON ASBESTOS

FINISH:

- B12 WHITE (OPTIONAL FINISHES AVAILABLE)

OPTION:

- ADJUSTABLE VOLUME CONTROLLER (ALLEN KEY ADJUSTABLE)
- 165°F (74°C) FUSIBLE LINK (STANDARD)
- 212°F (100°C) FUSIBLE LINK

NOTE:

- FIRE RATED 3 HOUR.
- UL CLASSIFIED FIRE RATED CEILING DIFFUSER ASSEMBLY. LISTED IN UNDERWRITERS LABORATORIES FIRE RESISTANCE DIRECTORY.
- ULC CLASSIFIED FIRE RATED CEILING DIFFUSER ASSEMBLY. LISTED IN UNDERWRITERS OF CANADA LABORATORIES LIST OF EQUIPMENT AND MATERIALS.
- * 4 FIELD ROTATABLE MODULAR CORES ALLOW 1, 2, 2C, 3 & 4-WAY AIR PATTERNS.
- * CORE MODULES ARE FACTORY PRESET TO A 4-WAY AIR DEFLECTION PATTERN.
- DUCT: STEEL OR FLEXIBLE DUCT CONNECTIONS AS PER FIRE RATED DESIGN REQUIREMENTS.
- INSTALLATION INSTRUCTIONS: SEE SUBMITTAL 228791
- FIRE RATED DIFFUSERS ARE TO BE INSTALLED IN FIRE RATED T-BAR APPLICATIONS ONLY.



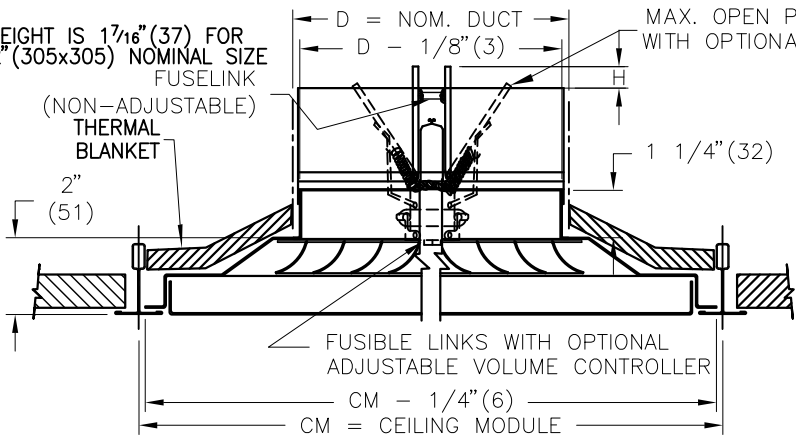
ALL METRIC DIMENSIONS () ARE SOFT CONVERTED. IMPERIAL DIMENSIONS ARE CONVERTED TO METRIC AND ROUNDED TO THE NEAREST MILLIMETER.

PROJECT:		PRICE®	PDMC-FR PERFORATED DIFFUSER C/W ROTATEABLE MODULAR CORES FIRE RATED
ENGINEER:			
CUSTOMER:		228730	
SUBMITTAL DATE:	SPEC. SYMBOL:	2015/03/31	

PDSP-FR STAR PATTERN PERFORATED DIFFUSER FIRE RATED

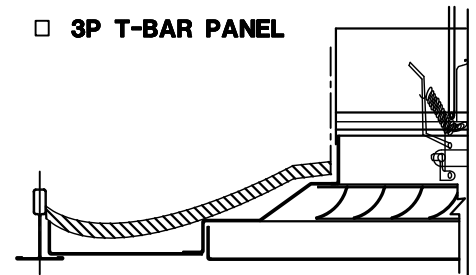
NOTE:

PAN HEIGHT IS 1 7/16" (37) FOR 12" x 12" (305x305) NOMINAL SIZE



MAX. OPEN POSITION DAMPER BLADES WITH OPTIONAL VOLUME CONTROLLER

3P T-BAR PANEL



CEILING MODULE	T-BAR LAY-IN DIFFUSER		3P T-BAR LAY-IN PANEL OPTION	
	ROUND DUCT SIZE	SQUARE DUCT SIZE	ROUND DUCT SIZE	SQUARE DUCT SIZE
12x12 (305x305)	6 (152)	6x6 (152x152)	NA	NA
24x24 (610x610)	6,8,10,12,14,15 (152,203,254,305,356,381)	6x6,8x8,10x10,12x12 (152x152,203x203,254x254,305x305)	6 (152)	6x6 (152x152)

MATERIAL:

- STEEL CONSTRUCTION
- CEILING RADIATION DAMPER: GALVANIZED STEEL, BUTTERFLY TYPE
- THERMAL BLANKET: NON ASBESTOS

FINISH:

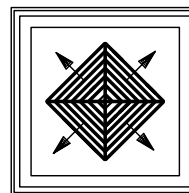
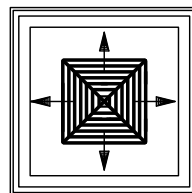
- B12 WHITE (OPTIONAL FINISHES AVAILABLE)

PATTERN:

- SIDE THROW (4)
- DIAGONAL THROW (4D)

NOTE:

- FIRE RATED 3 HOUR.
- UL CLASSIFIED FIRE RATED CEILING DIFFUSER ASSEMBLY. LISTED IN UNDERWRITERS LABORATORIES FIRE RESISTANCE DIRECTORY
- ULC CLASSIFIED FIRE RATED CEILING DIFFUSER ASSEMBLY LISTED IN UNDERWRITERS OF CANADA LABORATORIES LIST OF EQUIPMENT AND MATERIALS.
- DEFLECTORS HELD IN PLACE WITH 4 SCREWS.
- CURVED BLADES OF 4-WAY CORE PATTERN ARE LOCATED AT THE INLET NECK AND ARE FIELD ADJUSTABLE FROM HORIZONTAL TO VERTICAL AIR PATTERN BY TURNING BLADES.
- A FIELD ADJUSTED 3-WAY PATTERN IS POSSIBLE, BY TURNING ONE SEGMENT OF BLADES IN THE OPPOSITE DIRECTION.
- DUCT: STEEL OR FLEX DUCT CONNECTIONS (BY OTHERS) AS PER FIRE RATED DESIGN REQUIREMENTS.
- INSTALLATION INSTRUCTIONS: 228791 OR FOR PANEL SEE SUBMITAL 233667
- FIRE RATED DIFFUSERS ARE TO BE INSTALLED IN FIRE RATED T-BAR APPLICATIONS ONLY.



4-WAY SIDE THROW (4) 4-WAY DIAGONAL THROW (4D)
FOR NOM. SIZES 6" TO 16" FOR NOM. SIZES 6" TO 12"
CORE ROTATION - SQUARE TO DIAGONAL PATTERN

ROUND NECK	
NOM. DUCT	H
6 (152)	1 (25)
8 (203)	2 (51)
10 (254)	3 (76)
12 (305)	4 (102)
14 (356)	5 (127)
15 (381)	5 1/2 (140)

SQUARE NECK	
NOM. DUCT	H
6 X 6 (152 X 152)	2 (51)
8 X 8 (203 X 203)	3 (76)
10 X 10 (254 X 254)	4 (102)
12 X 12 (305 X 305)	5 (127)

OPTIONS:

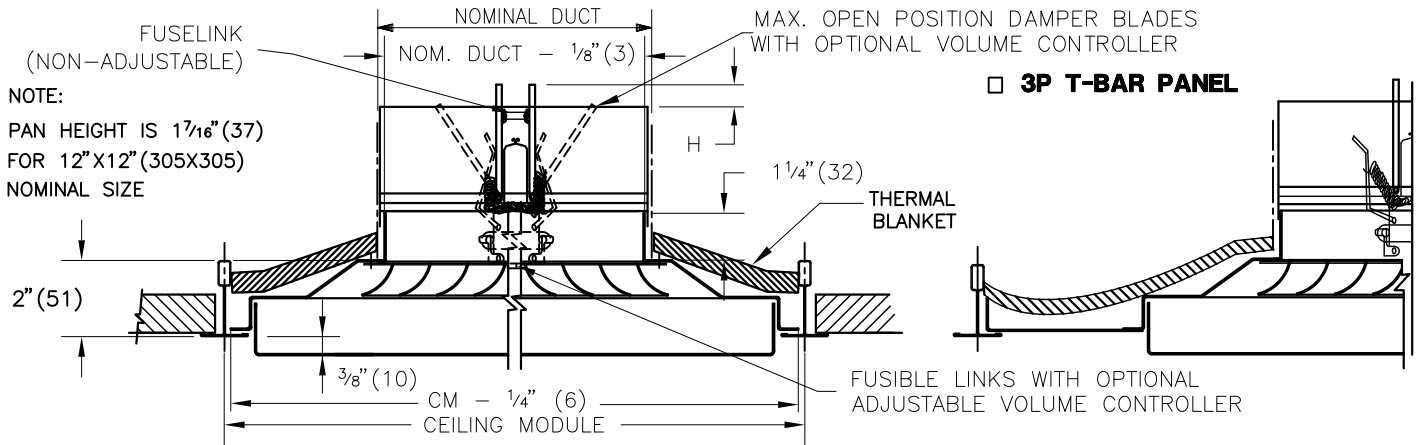
- ADJUSTABLE VOLUME CONTROLLER (ALLEN KEY ADJUSTABLE)
- 165°F (74°C) FUSIBLE LINK (STANDARD)
- 212°F (100°C) FUSIBLE LINK



ALL METRIC DIMENSIONS () ARE SOFT CONVERTED. IMPERIAL DIMENSIONS ARE CONVERTED TO METRIC AND ROUNDED TO THE NEAREST MILLIMETER.

PROJECT:		PRICE®	
ENGINEER:		 233665	PDSP-FR PERFORATED DIFFUSER STAR PATTERN FIRE RATED
CUSTOMER:			
SUBMITTAL DATE:	SPEC. SYMBOL:	2015/03/31	

PDSPE-FR STAR PATTERN PERFORATED DIFFUSER FIRE RATED



	T-BAR LAY-IN DIFFUSER		3P T-BAR LAY-IN PANEL OPTION	
CEILING MODULE	ROUND DUCT SIZE	SQUARE DUCT SIZE	ROUND DUCT SIZE	SQUARE DUCT SIZE
12x12 (305x305)	6 (152)	6x6 (152x152)	NA	NA
24x24 (610x610)	6,8,10,12,14,15 (152,203,254,305,356,381)	6x6,8x8,10x10,12x12 (152x152,203x203,254x254,305x305)	6 (152)	6x6 (152x152)

MATERIAL:

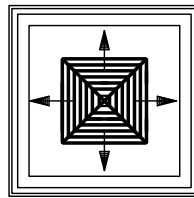
- STEEL CONSTRUCTION
- CEILING RADIATION DAMPER: GALVANIZED STEEL, BUTTERFLY TYPE
- THERMAL BLANKET: NON ASBESTOS

FINISH:

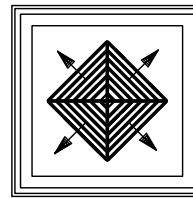
- B12 WHITE (OPTIONAL FINISHES AVAILABLE)

PATTERN:

- SIDE THROW (4)
- DIAGONAL THROW (4D)



4-WAY SIDE THROW (4)
 FOR NOM. SIZES 6" TO 16"
 CORE ROTATION - SQUARE TO DIAGONAL PATTERN



4-WAY DIAGONAL THROW (4D)
 FOR NOM. SIZES 6" TO 12"
 CORE ROTATION - SQUARE TO DIAGONAL PATTERN

ROUND NECK	
NOM. DUCT	H
6 (152)	1 (25)
8 (203)	2 (51)
10 (254)	3 (76)
12 (305)	4 (102)
14 (356)	5 (127)
15 (381)	5 1/2 (140)

SQUARE NECK	
NOM. DUCT	H
6 X 6 (152 X 152)	2 (51)
8 X 8 (203 X 203)	3 (76)
10 X 10 (254 X 254)	4 (102)
12 X 12 (305 X 305)	5 (127)

NOTE:

- FIRE RATED 3 HOUR.
- UL CLASSIFIED FIRE RATED CEILING DIFFUSER ASSEMBLY. LISTED IN UNDERWRITERS LABORATORIES FIRE RESISTANCE DIRECTORY
- ULC CLASSIFIED FIRE RATED CEILING DIFFUSER ASSEMBLY LISTED IN UNDERWRITERS OF CANADA LABORATORIES LIST OF EQUIPMENT AND MATERIALS.
- DEFLECTORS HELD IN PLACE WITH 4 SCREWS.
- CURVED BLADES OF 4-WAY CORE PATTERN ARE LOCATED AT THE INLET NECK AND ARE FIELD ADJUSTABLE FROM HORIZONTAL TO VERTICAL AIR PATTERN BY TURNING BLADES.
- A FIELD ADJUSTED 3-WAY PATTERN IS POSSIBLE, BY TURNING ONE SEGMENT OF BLADES IN THE OPPOSITE DIRECTION.
- DUCT: STEEL OR FLEX DUCT CONNECTIONS (BY OTHERS) AS PER FIRE RATED DESIGN REQUIREMENTS.
- INSTALLATION INSTRUCTIONS: 228791 OR FOR PANEL SEE SUBMITAL 233667
- FIRE RATED DIFFUSERS ARE TO BE INSTALLED IN FIRE RATED T-BAR APPLICATIONS ONLY.

OPTIONS:

- ADJUSTABLE VOLUME CONTROLLER (ALLEN KEY ADJUSTABLE)
- 165°F (74°C) FUSIBLE LINK (STANDARD)
- 212°F (100°C) FUSIBLE LINK

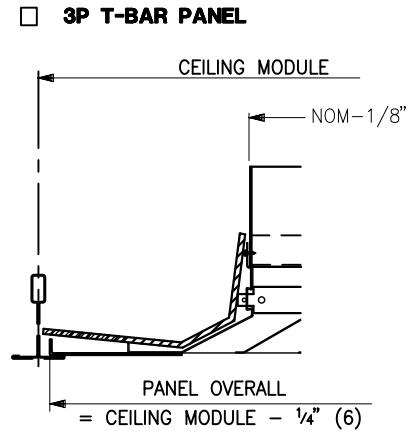
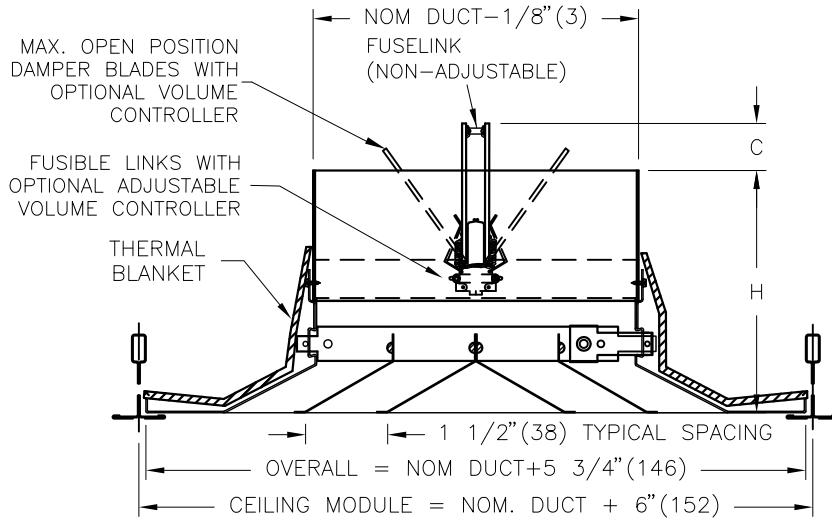


ALL METRIC DIMENSIONS () ARE SOFT CONVERTED. IMPERIAL DIMENSIONS ARE CONVERTED TO METRIC AND ROUNDED TO THE NEAREST MILLIMETER.

PROJECT:		PRICE®
ENGINEER:		
CUSTOMER:		233666
SUBMITTAL DATE:	SPEC. SYMBOL:	2015/03/31

PDSPE-FR
 PERFORATED DIFFUSER
 STAR PATTERN
 EXTENDED FACE
 FIRE RATED

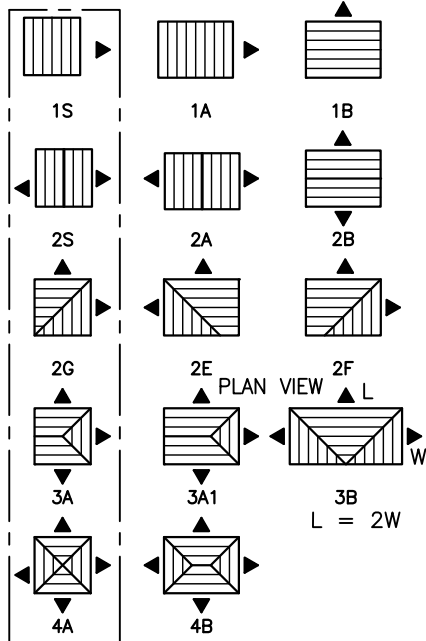
SMD-FR MODULAR FIRE RATED DIFFUSER



AVAILABLE DIFFUSER SIZE

CEILING MODULE	BORDER STYLE 36		3P T-BAR LAY-IN PANEL OPTION	
	SQUARE NECK	ROUND NECK	SQUARE NECK	ROUND NECK
12X12 (305X305)	6X6 (152X152)	6 (152)	NA	NA
24X12 (610X305)	18X6 (457X152)	6 (152)	NA	NA
24X24 (610X610)	18X18 (457X457)	6,8,10,12,14,15 (152,203,254,305,356,381)	6X6,9X9,12X12,15X15 (152X152,229X229,305X305,381X381)	6,8,10,12,14,15 (152,203,254,305,356,381)

AVAILABLE CORE STYLES:



PANEL OPTION AVAILABLE IN SQUARE CORE STYLES ONLY

MATERIAL:

- STEEL CONSTRUCTION
- CEILING RADIATION DAMPER: GALVANIZED STEEL, BUTTERFLY TYPE.
- THERMAL BLANKET: NON ASBESTOS

FINISH:

- B12 WHITE (OPTIONAL FINISHES AVAILABLE)

OPTION:

- ADJUSTABLE VOLUME CONTROLLER (ALLEN KEY ADJUSTABLE)
- 165°F (74°C) FUSIBLE LINK (STANDARD)
- 212°F (100°C) FUSIBLE LINK

NOTE:

- FIRE RATED 3 HOUR.
- UL CLASSIFIED FIRE RATED CEILING DIFFUSER ASSEMBLY. LISTED IN UNDERWRITERS LABORATORIES FIRE RESISTANCE DIRECTORY.
- ULC CLASSIFIED FIRE RATED CEILING DIFFUSER ASSEMBLY. LISTED IN UNDERWRITERS OF CANADA LABORATORIES LIST OF EQUIPMENT AND MATERIALS.
- DIRECTIONAL CORE REMOVABLE AT DIFFUSER FACE
- DUCT: STEEL OR FLEXIBLE DUCT CONNECTIONS (BY OTHERS) AS PER FIRE RATED DESIGN REQUIREMENTS.
- INSTALLATION INSTRUCTIONS: 228792 OR FOR PANEL SEE SUBMITTAL 233667
- FIRE RATED DIFFUSERS ARE TO BE INSTALLED IN FIRE RATED T-BAR APPLICATIONS ONLY.

INLET	H
SQ. INLET	4" (102)
ROUND INLET	6 1/2" (165)
SQ. C/W VOL. CONTROL	4 3/4" (121)
RND.C/W VOL. CONTROL	6 1/2" (165)

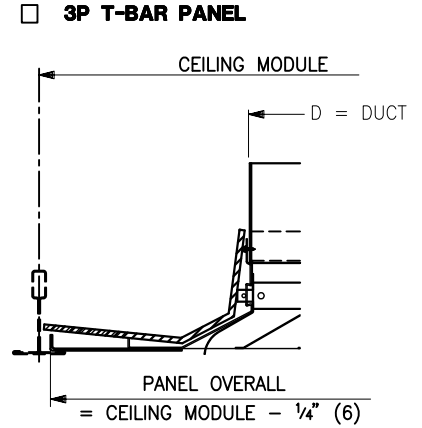
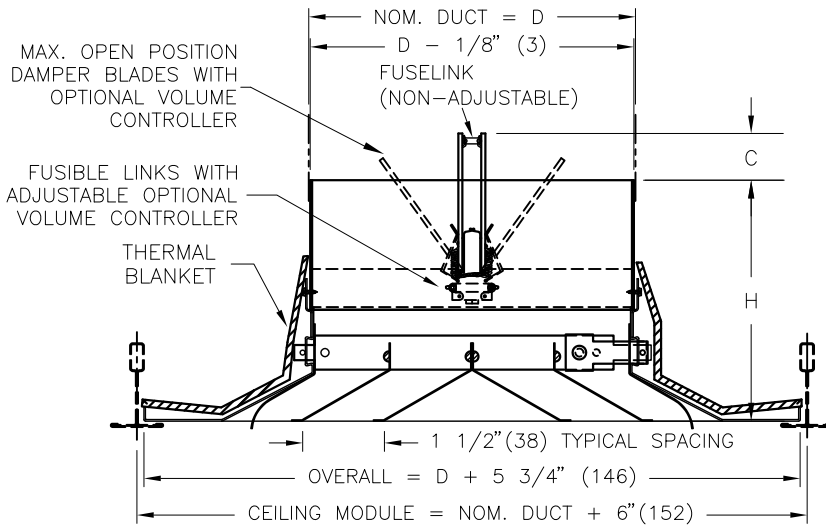
ROUND NECK		SQUARE NECK	
NOM. DUCT	C	NOM. DUCT	C
6 (152)	1 (25)	6 X 6 (152 X 152)	2 (51)
8 (203)	2 (51)	9 X 9 (229 X 229)	3 1/2 (89)
10 (254)	3 (76)	12 X 12 (305 X 305)	5 (127)
12 (305)	4 (102)	15 X 15 (381 X 381)	6 1/2 (165)
14 (356)	5 (127)	18 X 6 (457 X 152)	2 (51)
15 (381)	5 1/2 (140)	18 X 18 (457 X 457)	8 (203)



ALL METRIC DIMENSIONS () ARE SOFT CONVERTED. IMPERIAL DIMENSIONS ARE CONVERTED TO METRIC AND ROUNDED TO THE NEAREST MILLIMETER.

PROJECT:		PRICE®	SMD-FR
ENGINEER:			
CUSTOMER:		2015/03/31	REV F
SUBMITTAL DATE:	SPEC. SYMBOL:		

SMDA-FR ADJUSTABLE MODULAR FIRE RATED DIFFUSER



AVAILABLE DIFFUSER SIZE				
CEILING MODULE	BORDER STYLE 36		3P T-BAR LAY-IN PANEL OPTION	
	SQUARE NECK	ROUND NECK	SQUARE NECK	ROUND NECK
12X12 (305X305)	6X6 (152X152)	6 (152)	NA	NA
24X12 (610X305)	18X6 (457X152)	6 (152)	NA	NA
24X24 (610X610)	18X18 (457X457)	6,8,10,12,14,15 (152,203,254,305,356,381)	6X6,9X9,12X12,15X15 (152X152,229X229,305X305,381X381)	6,8,10,12,14,15 (152,203,254,305,356,381)

MATERIAL:

- STEEL CONSTRUCTION
- CEILING RADIATION DAMPER: GALVANIZED STEEL, BUTTERFLY TYPE
- THERMAL BLANKET: NON ASBESTOS

FINISH:

- B12 WHITE (OPTIONAL FINISHES AVAILABLE)

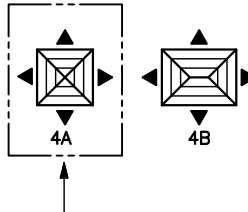
OPTION:

- ADJUSTABLE VOLUME CONTROLLER (ALLEN KEY ADJUSTABLE)
- 165°F (74°C) FUSIBLE LINK (STANDARD)
- 212°F (100°C) FUSIBLE LINK

NOTE:

- FIRE RATED 3 HOUR.
- UL CLASSIFIED FIRE RATED CEILING DIFFUSER ASSEMBLY. LISTED IN UNDERWRITERS LABORATORIES FIRE RESISTANCE DIRECTORY.
- ULC CLASSIFIED FIRE RATED CEILING DIFFUSER ASSEMBLY. LISTED IN UNDERWRITERS OF CANADA LABORATORIES LIST OF EQUIPMENT AND MATERIALS.
- DIRECTIONAL CORE REMOVABLE AT DIFFUSER FACE.
- DUCT: STEEL OR FLEXIBLE DUCT CONNECTIONS (BY OTHERS) AS PER FIRE RATED DESIGN REQUIREMENTS.
- INSTALLATION INSTRUCTIONS: 228792 OR FOR PANEL SEE SUBMITTAL 233667
- FIRE RATED DIFFUSERS ARE TO BE INSTALLED IN FIRE RATED T-BAR APPLICATIONS ONLY.

AVAILABLE CORE STYLES:



PANEL OPTION AVAILABLE IN SQUARE CORE STYLES ONLY

INLET	H
SQ. INLET	4" (102)
ROUND INLET	6 1/2" (165)
SQ. C/W VOL. CONTROL	4 3/4" (121)
RND.C/W VOL. CONTROL	6 1/2" (165)

ROUND NECK		SQUARE NECK	
NOM. DUCT	C	NOM. DUCT	C
6 (152)	1 (25)	6 X 6 (152 X 152)	2 (51)
8 (203)	2 (51)	9 X 9 (229 X 229)	3 1/2 (89)
10 (254)	3 (76)	12 X 12 (305 X 305)	5 (127)
12 (305)	4 (102)	15 X 15 (381 X 381)	6 1/2 (165)
14 (356)	5 (127)	18 X 6 (457 X 152)	2 (51)
15 (381)	5 1/2 (140)	18 X 18 (457 X 457)	8 (203)

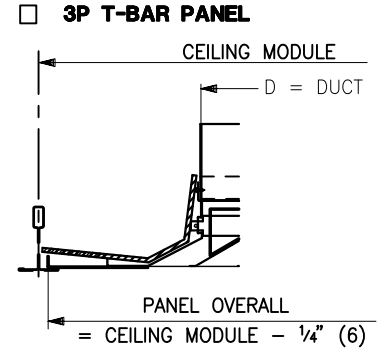
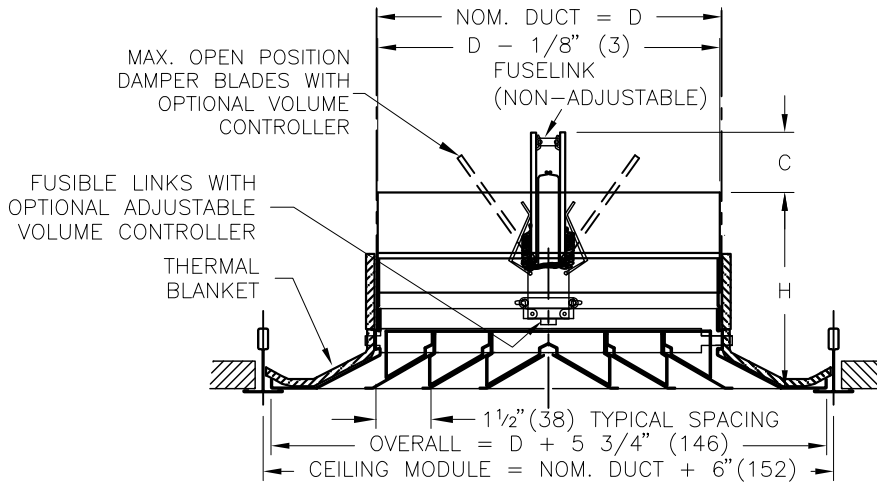


ALL METRIC DIMENSIONS () ARE SOFT CONVERTED. IMPERIAL DIMENSIONS ARE CONVERTED TO METRIC AND ROUNDED TO THE NEAREST MILLIMETER.

PROJECT:		PRICE®
ENGINEER:		
CUSTOMER:		228732
SUBMITTAL DATE:	SPEC. SYMBOL:	2015/03/31

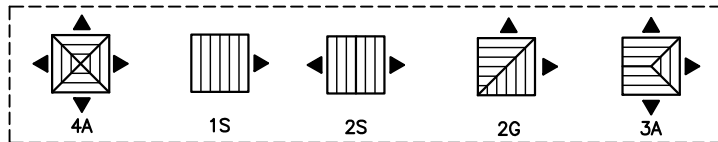
SMDA-FR
ADJUSTABLE
MODULAR DIFFUSER
FIRE RATED

SMX-FR STEEL MODULAR FIRE RATED DIFFUSER

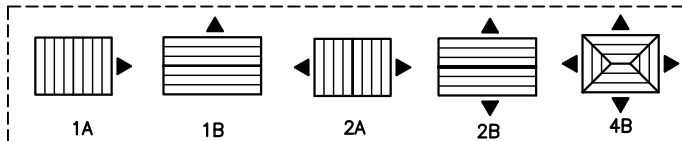


AVAILABLE DIFFUSER SIZE				
CEILING MODULE	BORDER STYLE 36		3P T-BAR LAY-IN PANEL OPTION	
	SQUARE NECK	ROUND NECK	SQUARE NECK	ROUND NECK
12X12 (305X305)	6X6 (152X152)	6 (152)	NA	NA
24X12 (610X305)	18X6 (457X152)	6 (152)	NA	NA
24X24 (610X610)	18X18 (457X457)	6,8,10,12,14,15 (152,203,254,305,356,381)	6X6,9X9,12X12,15X15 (152X152,229X229,305X305,381X381)	6,8,10,12,14,15 (152,203,254,305,356,381)

AVAILABLE CORE STYLES:



AVAILABLE IN SQUARE ONLY



AVAILABLE IN RECTANGULAR ONLY

INLET	H
SQ. INLET	4" (102)
ROUND INLET	6 1/2" (165)
SQ. C/W VOL. CONTROL	4 3/4" (121)
RND.C/W VOL. CONTROL	6 1/2" (165)

ROUND NECK		SQUARE NECK	
NOM. DUCT	C	NOM. DUCT	C
6 (152)	1 (25)	6 X 6 (152 X 152)	2 (51)
8 (203)	2 (51)	9 X 9 (229 X 229)	3 1/2 (89)
10 (254)	3 (76)	12 X 12 (305 X 305)	5 (127)
12 (305)	4 (102)	15 X 15 (381 X 381)	6 1/2 (165)
14 (356)	5 (127)	18 X 6 (457 X 152)	2 (51)
15 (381)	5 1/2 (140)	18 X 18 (457 X 457)	8 (203)

MATERIAL:

- ALL STEEL CONSTRUCTION
- CEILING RADIATION DAMPER: GALVANIZED STEEL, BUTTERFLY TYPE
- THERMAL BLANKET: NON ASBESTOS

FINISH:

- B12 WHITE (OPTIONAL FINISHES AVAILABLE)

OPTIONS:

- ROUNDED CORE CORNERS
- VOLUME ADJUSTMENT CONTROLLER (ALLEN KEY ADJUSTABLE)
- 165°F (74°C) FUSIBLE LINK (STANDARD)
- 212°F (100°C) FUSIBLE LINK

NOTE:

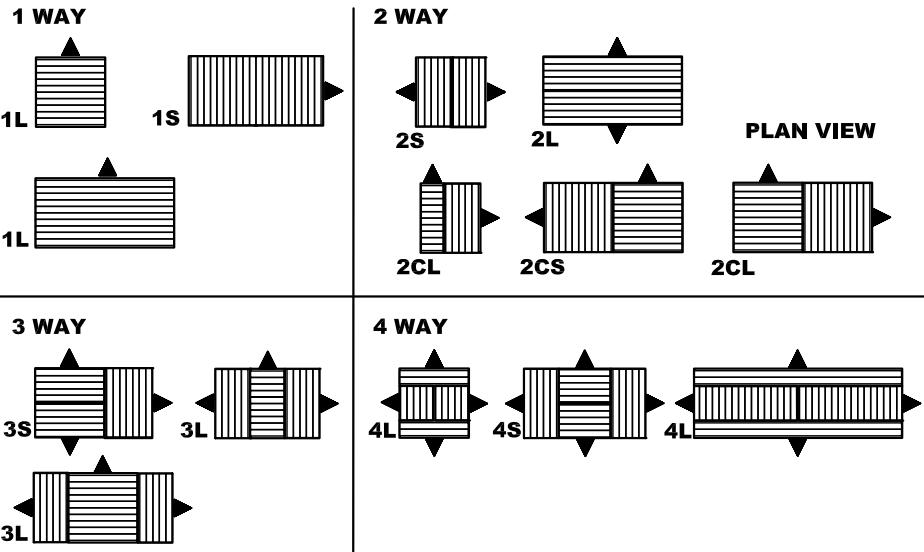
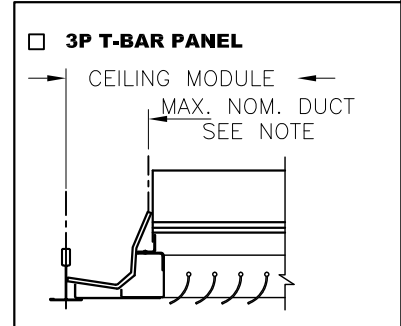
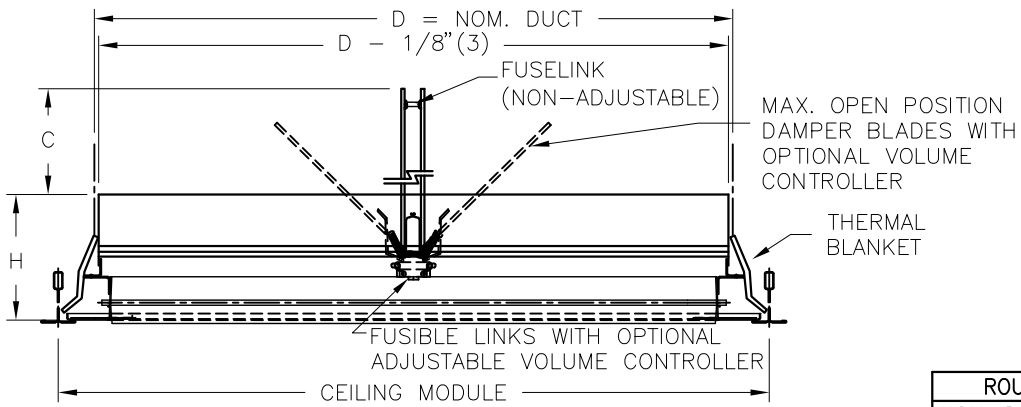
- CORES AVAILABLE IN INCREMENTS OF 3" (76) IN BOTH DIRECTIONS.
- FIRE RATED 3 HOUR.
- UL CLASSIFIED FIRE RATED CEILING DIFFUSER ASSEMBLY LISTED IN UNDERWRITERS LABORATORIES FIRE RESISTANCE DIRECTORY.
- ULC CLASSIFIED FIRE RATED CEILING DIFFUSER LISTED IN UNDERWRITERS OF CANADA LIST OF EQUIPMENT AND MATERIALS.
- DUCT: STEEL OR FLEX DUCT CONNECTIONS (BY OTHERS) AS PER FIRE RATED DESIGN REQUIREMENTS.
- INSTALLATION INSTRUCTIONS: 228792 OR FOR PANEL SEE SUBMITTAL 233667
- FIRE RATED DIFFUSERS ARE TO BE INSTALLED IN FIRE RATED T-BAR APPLICATIONS ONLY.



ALL METRIC DIMENSIONS () ARE SOFT CONVERTED. IMPERIAL DIMENSIONS ARE CONVERTED TO METRIC AND ROUNDED TO THE NEAREST MILLIMETER.

PROJECT:		PRICE®	
ENGINEER:			
CUSTOMER:		228733	SMX-FR STEEL MODULAR DIFFUSER WITH MIXING VANES FIRE RATED
SUBMITTAL DATE:	SPEC. SYMBOL:	2015/03/31	

SCVD-FR STEEL CURVED VANE FIRE RATED DIFFUSER



ROUND NECK		SQUARE NECK	
NOM. DUCT	C	NOM. DUCT	C
6 (152)	1 (25)	6 X 6	2
8 (203)	2 (51)	(152 X 152)	(51)
10 (254)	3 (76)	8 X 8	3
12 (305)	4 (102)	(203 X 203)	(76)
14 (356)	5 (127)	10 X 10	4
15 (381)	5½ (140)	(254 X 254)	(102)
		12 X 12	5
		(305 X 305)	(127)
		14 X 14	6
		(356 X 356)	(152)
		15 X 15	6½
		(381 X 381)	(165)
		16 X 16	7
		(406 X 406)	(178)
		18 X 18	8
		(457 X 457)	(203)
		20 X 20	9
		(508 X 508)	(229)
		22 X 22	10
		(559 X 559)	(254)

SQUARE NECK
H = 4 (102)
ROUND NECK
H = 5 (127)

CEILING MODULE	BORDER STYLE 3 T-BAR LAY-IN	
	SQUARE NECK	ROUND NECK
12 X 12	6X6, 8X8, 10X10	6, 8, 10
24 X 24	6X6,8X8,10X10,12X12, 14X14,15X15,16X16, 18X18,20X20,22X22	6,8,10,12,14,15

CEILING MODULE		3P T-BAR LAY-IN PANEL OPTION	
IMPERIAL	METRIC	SQUARE NECK	ROUND NECK
12 X 12	300X300	6X6, 8X8	6, 8
24 X 24	600X600	6X6,8X8,10X10,12X12, 14X14,15X15,16X16, 18X18,20X20	6,8,10,12,14,15

NOTE:

- FIRE RATED 3 HOUR.
- UL CLASSIFIED FIRE RATED CEILING DIFFUSER ASSEMBLY. LISTED IN UNDERWRITERS LABORATORIES FIRE RESISTANCE DIRECTORY
- ULC CLASSIFIED FIRE RATED CEILING DIFFUSER ASSEMBLY LISTED IN UNDERWRITERS OF CANADA LABORATORIES LIST OF EQUIPMENT AND MATERIALS.
- SIZES 12x12, 20x20 & 24x24 AVAILABLE IN 1, 2, 3 & 4 WAY AIR PATTERNS.
- RECTANGULAR UNITS ARE AVAILABLE IN THE FOLLOWING LISTED DUCT DIMENSIONS: 18x6, 20x8, 22x10
- DUCT: STEEL OR FLEX DUCT CONNECTIONS (BY OTHERS) AS PER FIRE RATED DESIGN REQUIREMENTS.
- INSTALLATION INSTRUCTIONS: 228792 OR FOR PANEL SEE SUBMITAL 233667
- FIRE RATED DIFFUSERS ARE TO BE INSTALLED IN FIRE RATED T-BAR APPLICATIONS ONLY.

ALL METRIC DIMENSIONS () ARE SOFT CONVERTED. IMPERIAL DIMENSIONS ARE CONVERTED TO METRIC AND ROUNDED TO THE NEAREST MILLIMETER.

MATERIAL:

- STEEL CONSTRUCTION
- CEILING RADIATION DAMPER: GALVANIZED STEEL, BUTTERFLY TYPE
- THERMAL BLANKET: NON ASBESTOS

FINISH:

- B12 WHITE (OPTIONAL FINISHES AVAILABLE)

OPTIONS:

- ADJUSTABLE VOLUME CONTROLLER (ALLEN KEY ADJUSTABLE)
- 165°F (74°C) FUSIBLE LINK (STANDA C)
- 212°F (100°C) FUSIBLE LINK



PROJECT:		PRICE®	
ENGINEER:			
CUSTOMER:		233664	SCVD-FR STEEL CURVED VANE FIRE RATED DIFFUSER
SUBMITTAL DATE:	SPEC. SYMBOL:	2015/03/31	