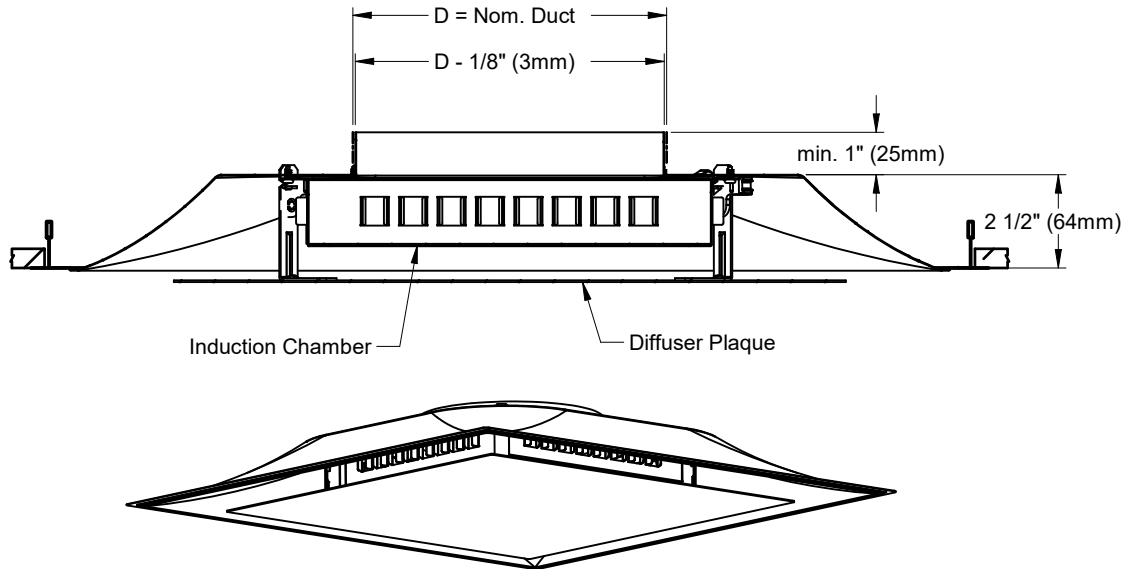


SPDHI SQUARE PLAQUE DIFFUSER HIGH INDUCTION



MATERIAL:

- Steel construction

FINISH:

- B12 - Standard White

Optional finishes available:

- Optional colors
- Custom colors
- Armstrong coordinated finishes

See finishes brochure for additional information. Contact your PRICE representative for leadtimes and pricing

NOTES:

- For 9/16" flat tee installation with style 31 frame, cross-tees must be firmly secured. Locking any unopposed cross tees to the main beam with clips such as Armstrong STAC is recommended. Corner clips from ceiling suppliers may also be used, or order 916 clip in GRD-PARTS (confirming fit with ceiling on site is recommended).
- Factory tolerance 1/32"(1mm)

DIFFUSER FACE SIZE:

- 24"
- 600mm

INLET SIZE:

- 6" (152mm)
- 8" (203mm)
- 10" (254mm)
- 12" (305mm)
- 14" (356mm)

OPTIONS:

- R6 - Insulated Backpan (Border 31 and 4TS only)
- BN - Beaded inlet neck with extended 2 1/2" (64mm) depth
- Hangers
 - Integral hanger loops (standard)
 - EHT - Extended hanger tabs



Scan for link to additional product information

ALL METRIC DIMENSIONS () ARE SOFT CONVERTED. IMPERIAL DIMENSIONS ARE CONVERTED TO METRIC AND ROUNDED TO THE NEAREST MILLIMETER.

PROJECT:		
ENGINEER:		
CUSTOMER:		<i>MJ</i>
SUBMITTAL DATE:		244510
SPEC. SYMBOL:		2022-06-23
SPDHI SQUARE PLAQUE DIFFUSER HIGH INDUCTION		

SPDHI SQUARE PLAQUE DIFFUSER HIGH INDUCTION

Lay-in & Surface Mount Frames:

<p>☐ 31 - 15/16" T-Bar Lay-In</p> <p>Ceiling Module = Diffuser Face Size Overall = Face Size - 1/4" (6mm) 15/16"</p>	<p>☐ 31 - Surface Mount</p> <p>Ceiling Opening = Diffuser Face Size - 2" (51mm) Diffuser Face Size - 1/4" (6mm)</p>
<p>☐ 17 - 9/16" Bolt Slot T-Bar</p> <p>Ceiling Module = Diffuser Face Size 5/16" 9/16"</p>	<p>☐ 17 - 9/16" Regular T-Bar</p> <p>Ceiling Module = Diffuser Face Size 5/16" 9/16"</p>
<p>☐ 4TS - for Certainteed Techstyle (24"x24" only)</p> <p>Ceiling Module = Diffuser Face Size 1 1/8" 1/4"</p>	<p>☐ 4 - Spline</p> <p>Ceiling Module = Diffuser Face Size 3/8" Spline on two opposite sides T-bar clip on two opposite sides</p>
<p>☐ 2 - Snap-In</p> <p>Ceiling Module = Diffuser Face Size 13/16"</p>	

ALL METRIC DIMENSIONS () ARE SOFT CONVERTED. IMPERIAL DIMENSIONS ARE CONVERTED TO METRIC AND ROUNDED TO THE NEAREST MILLIMETER.

<p>PROJECT:</p>		<p>PRICE</p>
<p>ENGINEER:</p>		
<p>CUSTOMER:</p>		<p>SPDHI SQUARE PLAQUE DIFFUSER HIGH INDUCTION</p>
<p>SUBMITTAL DATE:</p>	<p>SPEC. SYMBOL:</p>	