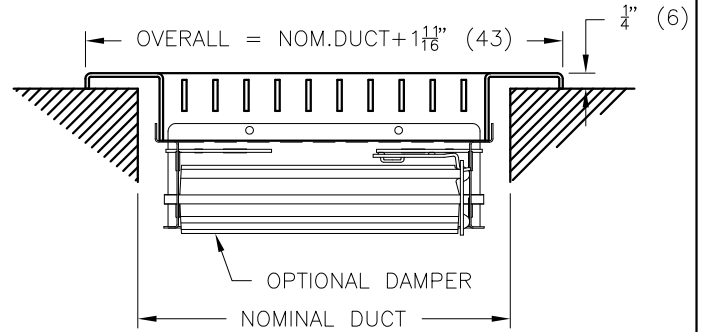
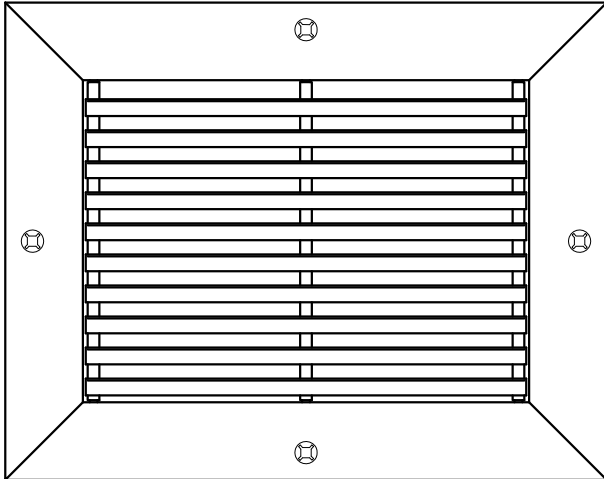
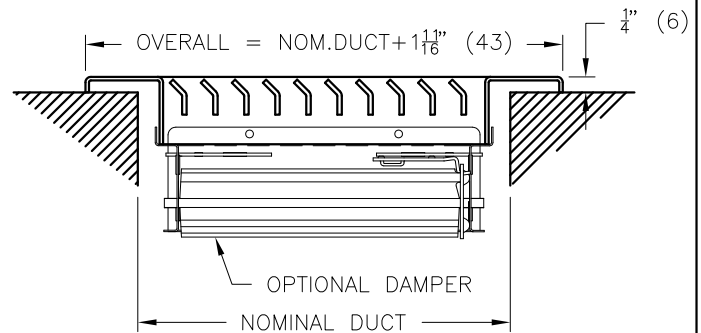


**90, 91, 93, 95, 96 STEEL GYMNASIUM GRILLES**



**0° DEFLECTION MODELS:**

- 90 - 3/8" (10) BLADE SPACING
- 95 - 3/4" (19) BLADE SPACING



**45° DEFLECTION MODELS:**

- 91 - 3/8" (10) BLADE SPACING
- 93 - 1/2" (13) BLADE SPACING
- 96 - 3/4" (19) BLADE SPACING

**BLADE ORIENTATION:**

- L - BLADES PARALLEL TO LONG DIMENSION
- S - BLADES PARALLEL TO SHORT DIMENSION

**FINISH:**

- B12 - WHITE POWDER COAT (OPTIONAL FINISHES AVAILABLE)

**OPTIONAL DAMPER:**

- VCS3 - OPPOSED BLADE DAMPER COATED STEEL CONSTRUCTION

**MATERIAL:**

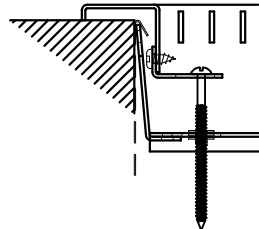
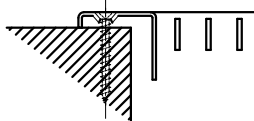
- FRAME - 16 GAUGE STEEL
- BLADES - 14 GAUGE STEEL
- MULLIONS - 20 GAUGE STEEL
- MULLION PINS - 1/8" (3) STEEL

**NOTES:**

- LOUVER BLADES ARE FIXED
- MIN. SIZE - 6" x 4" (152 x 102)
- MAX. SIZE - 48" x 48" (1219 x 1219)
- OVERSIZED UNITS AVAILABLE, SUPPLIED WITH DUCT MOUNTING CHANNEL (SEE SUBMITTAL 219729)

**FASTENING OPTIONS:**

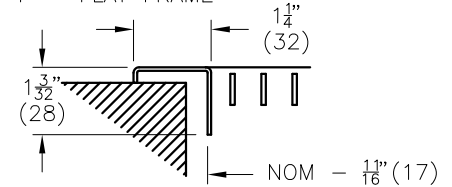
- A - COUNTERSUNK SCREW FASTENING
- C - CONCEALED MOUNTING (N/A TO 91, 93) (MAX 36" [914] WIDTH)



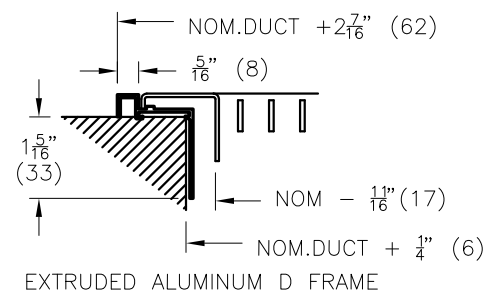
- 0 - FASTENING BY OTHERS

**FRAME OPTIONS:**

- F - FLAT FRAME



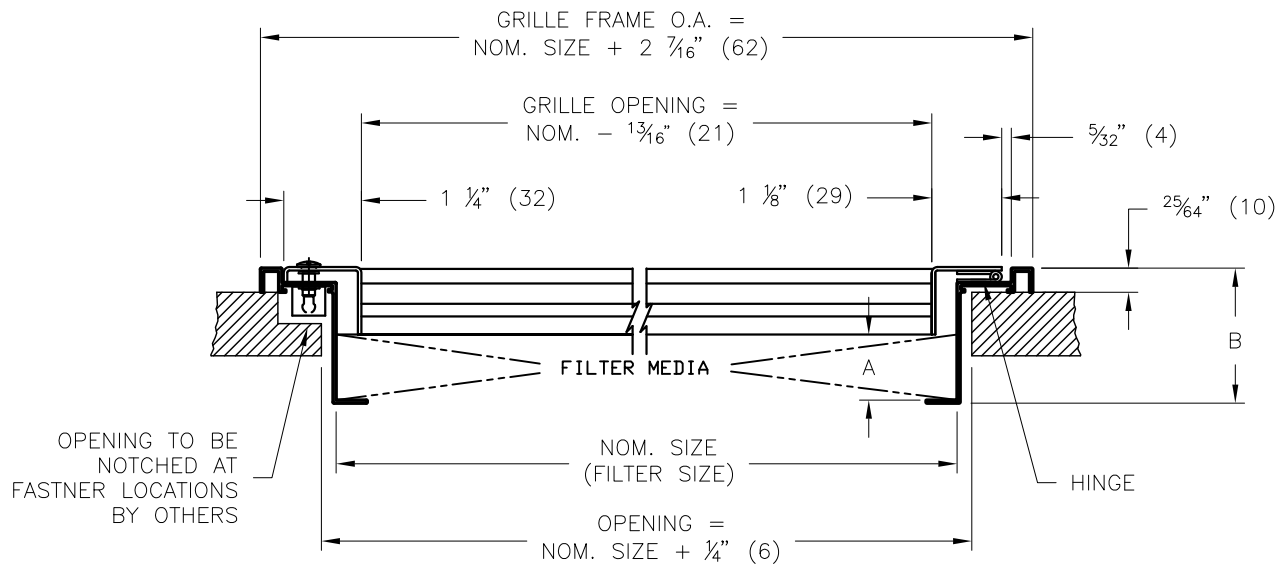
- D - MOUNTING FRAME



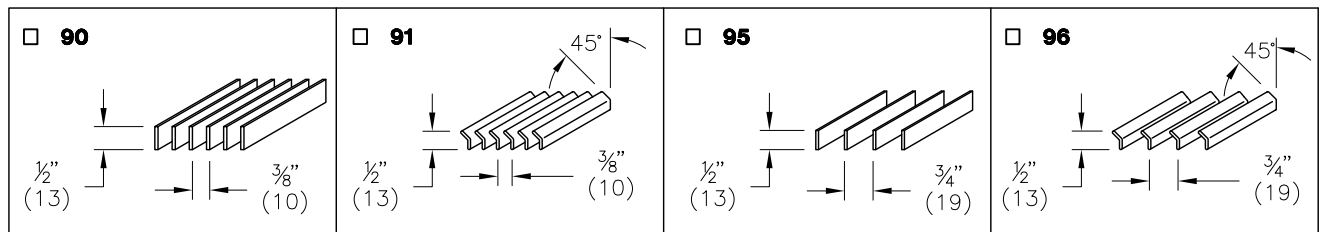
ALL METRIC DIMENSIONS ( ) ARE SOFT CONVERTED. IMPERIAL DIMENSIONS ARE CONVERTED TO METRIC AND ROUNDED TO THE NEAREST MILLIMETER.

<b>PROJECT:</b>		<b>PRICE</b> <sup>®</sup>	
<b>ENGINEER:</b>		<i>mg</i>	<b>90 SERIES</b> MODELS 90, 91, 93, 95 & 96 STEEL GYMNASIUM RETURN AIR GRILLES
<b>CUSTOMER:</b>		222007	
<b>SUBMITTAL DATE:</b>	<b>SPEC. SYMBOL:</b>	2014/07/31	

**90FH, 91FH, 95FH, 96FH RETURN AIR GRILLES**



**CORE STYLES**



**FINISH:**

- B12 WHITE (OPTIONAL FINISHES AVAILABLE)

**MATERIAL:**

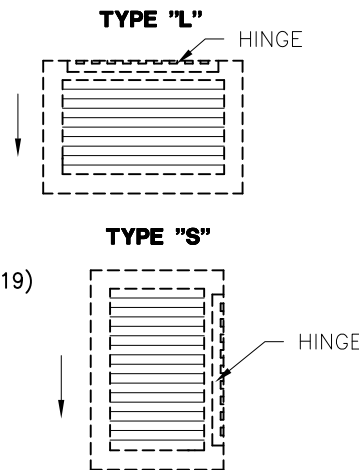
- FILTER FRAME: EXTRUDED ALUMINUM
- GRILLE: STEEL CONSTRUCTION

**NOTES:**

- FIXED LOUVER BLADES
- AVAILABLE SIZES:
  - MIN. = 6"x4" (152x102)
  - MAX. (WITH HINGE) = 36"x24" (914x610)
  - MAX. (WITH FASTENERS ALL AROUND) = 48"x48" (1219x1219)
- BLADE ORIENTATION - FRONT VIEW
  - L = PARALLEL TO LONG DIMENSION.
  - S = PARALLEL TO SHORT DIMENSION.
- 1/4 TURN FASTENERS SUPPLIED
- MOUNTING HOLES IN FILTER FRAME BY INSTALLER.
- 1/4 TURN FASTENER LOCATION PER FACTORY STANDARD.
- FILTER MEDIA SUPPLIED BY OTHERS.

**HINGE ORIENTATION - FRONT VIEW**

(FOR 91 & 96 GRILLES, BLADE DEFLECTION SHOWN BY ARROW)



**DIMENSIONING SCHEDULE**

FILTER SIZE	A	B
1"	1 (25)	2 1/64" (55)
2"	2 (51)	3 3/16" (81)

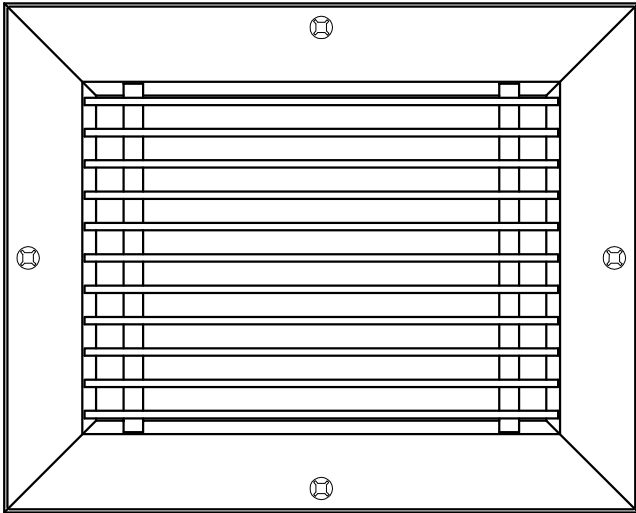
**FILTER SIZE:**

- 1"** - FILTER FRAME ACCEPTS 1" FILTER
- 2"** - FILTER FRAME ACCEPTS 2" FILTER

ALL METRIC DIMENSIONS ( ) ARE SOFT CONVERTED. IMPERIAL DIMENSIONS ARE CONVERTED TO METRIC AND ROUNDED TO THE NEAREST MILLIMETER.

<b>PROJECT:</b>		<b>PRICE®</b>	
<b>ENGINEER:</b>			
<b>CUSTOMER:</b>		254908	<b>90FH SERIES</b> RETURN AIR GRILLE STEEL GRILLES ALUMINUM FILTER FRAME 1" & 2" FILTER
<b>SUBMITTAL DATE:</b>	<b>SPEC. SYMBOL:</b>	2016/01/21	

**97, 98, 99 ALUMINUM GYMNASIUM GRILLES**



**BLADE ORIENTATION:**

- L - BLADES PARALLEL TO LONG DIMENSION
- S - BLADES PARALLEL TO SHORT DIMENSION

**FINISH:**

- B12 - WHITE POWDER COAT (OPTIONAL FINISHES AVAILABLE)

**OPTIONAL DAMPER:**

- VCS3 - OPPOSED BLADE DAMPER COATED STEEL CONSTRUCTION
- VCS3AL - OPPOSED BLADE DAMPER ALUMINUM CONSTRUCTION, MILL FINISH

**MATERIAL:**

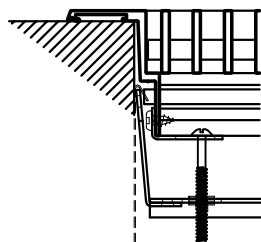
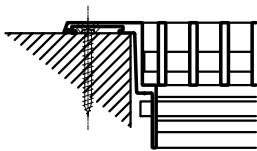
- FRAME - EXTRUDED ALUMINUM
- BLADES - EXTRUDED ALUMINUM
- MANDREL TUBE CORE ASSEMBLY

**NOTES:**

- LOUVER BLADES ARE FIXED
- MIN. SIZE - 6" x 4" (152 x 102)
- MAX. SIZE - 96" x 48" (2438 x 1219)
- OVERSIZED UNITS AVAILABLE, SUPPLIED WITH DUCT MOUNTING CHANNEL (SEE SUBMITTAL 219729)

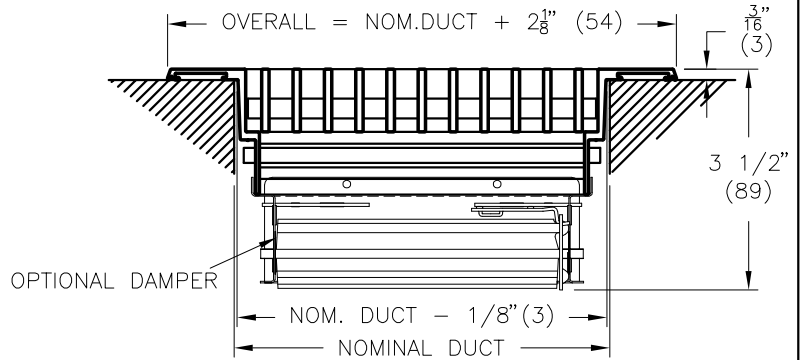
**FASTENING OPTIONS:**

- A - COUNTERSUNK SCREW FASTENING
- C - CONCEALED MOUNTING (AVAILABLE ON 97 ONLY, MAX. 36" (914) WIDTH)

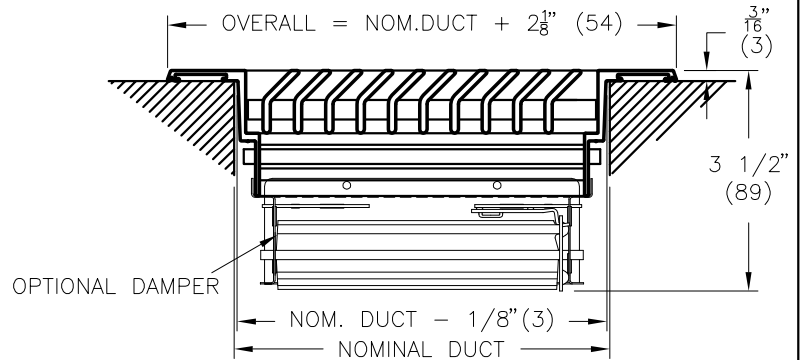


- 0 - FASTENING BY OTHERS

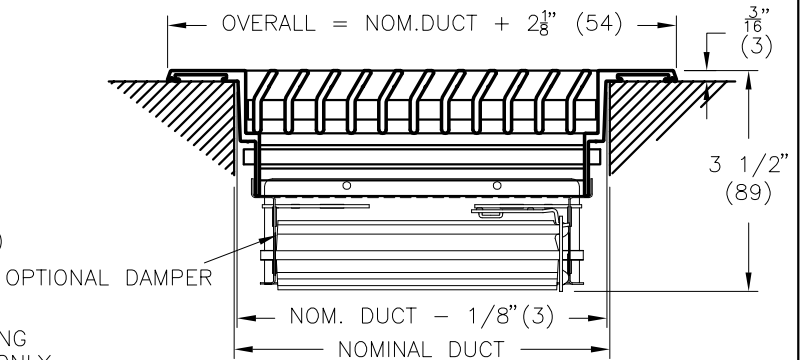
ALL METRIC DIMENSIONS ( ) ARE SOFT CONVERTED. IMPERIAL DIMENSIONS ARE CONVERTED TO METRIC AND ROUNDED TO THE NEAREST MILLIMETER.



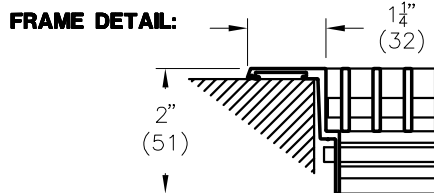
**MODEL 97**  
0° DEFLECTION, 1/2" (13) BLADE SPACING



**MODEL 98**  
45° DEFLECTION, 1/2" (13) BLADE SPACING



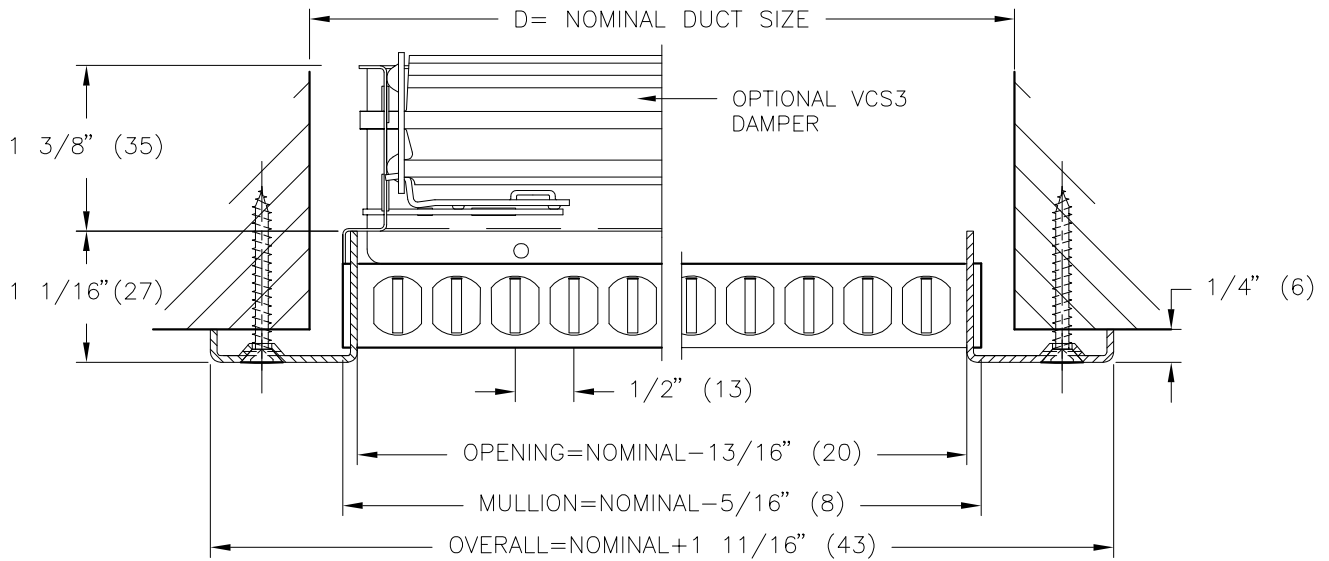
**MODEL 99**  
30° DEFLECTION, 1/2" (13) BLADE SPACING



**FRAME DETAIL:**

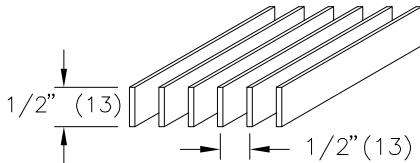
<b>PROJECT:</b>		<b>PRICE</b> <sup>®</sup>	
<b>ENGINEER:</b>		<i>MG</i>	<b>97, 98, 99</b>
<b>CUSTOMER:</b>		222008	ALUMINUM GYMNASIUM RETURN AIR GRILLE
<b>SUBMITTAL DATE:</b>	<b>SPEC. SYMBOL:</b>	2014/05/14	

**910 SERIES GRILLES & REGISTERS**

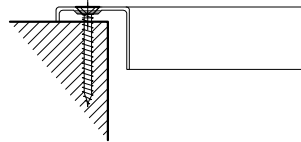


**CORE STYLE**

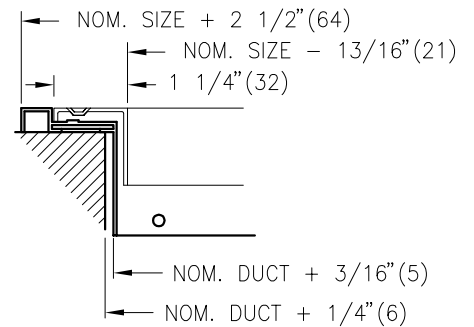
- 910 BLADE SPACING



- A SCREW FASTENING



- D MOUNTING FRAME



**MATERIAL:**

- HEAVY DUTY STEEL CONSTRUCTION
- 16 GAUGE STEEL FRAME
- 14 GAUGE STEEL BLADES
- 14 GAUGE STEEL MULLIONS
- OPTIONAL D MOUNTING FRAME - EXTRUDED ALUMINUM

**OPTION:**

- VCS3 - C/W. COATED STEEL OPPOSED BLADE DAMPER
- C/W. 0 DEGREE BLADE LOCK
- C/W. 45 DEGREE BLADE LOCK

**FINISH:**

- B12 WHITE (OPTIONAL FINISHES AVAILABLE)

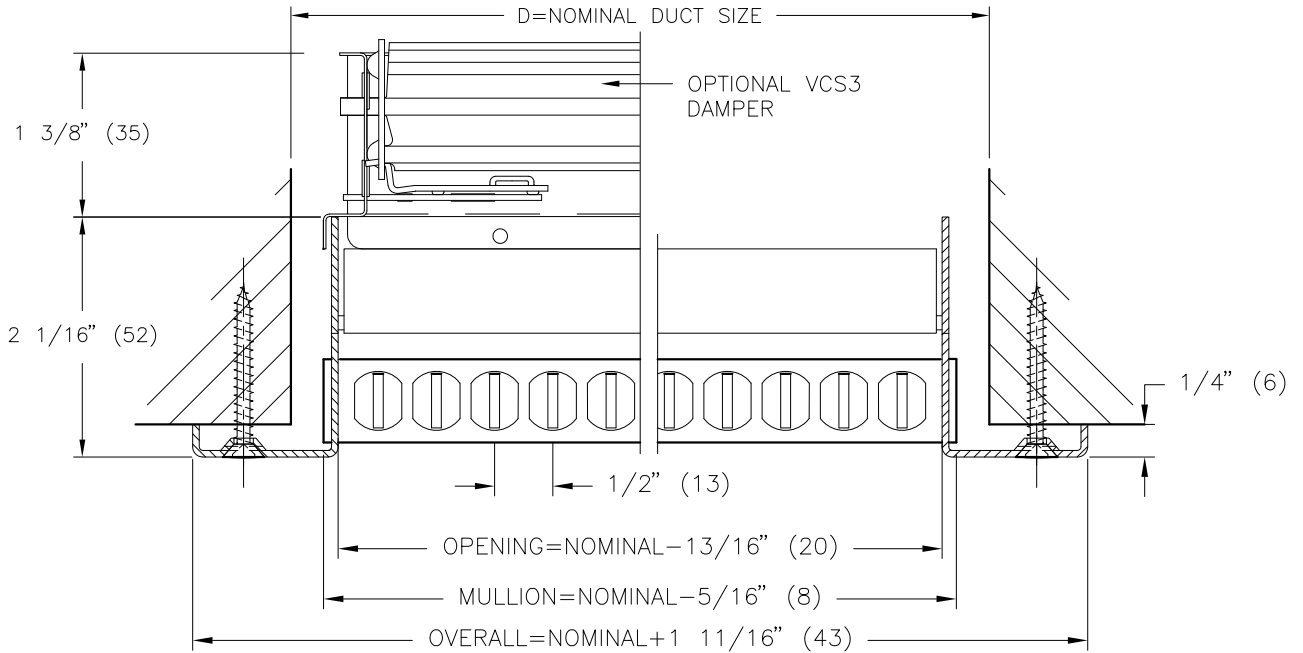
**NOTES:**

- INDIVIDUALLY ADJUSTABLE BLADES (45 TO -45 DEG.)
- ONE BLADE FIXED AT 0° DEFLECTION APPROXIMATELY EVERY 12\"/>

ALL METRIC DIMENSIONS ( ) ARE SOFT CONVERTED. IMPERIAL DIMENSIONS ARE CONVERTED TO METRIC AND ROUNDED TO THE NEAREST MILLIMETER.

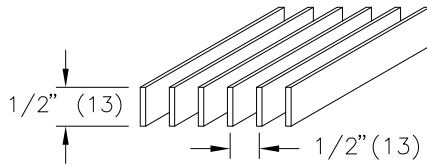
<b>PROJECT:</b>		<b>PRICE®</b>	
<b>ENGINEER:</b>		239535	<b>910 SERIES</b> HEAVY DUTY STEEL GYMNASIUM GRILLE
<b>CUSTOMER:</b>			
<b>SUBMITTAL DATE:</b>	<b>SPEC. SYMBOL:</b>	2013/12/10	

**920 SERIES GRILLES & REGISTERS**

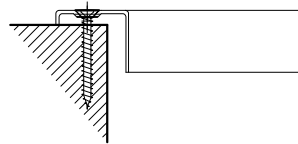


**CORE STYLE**

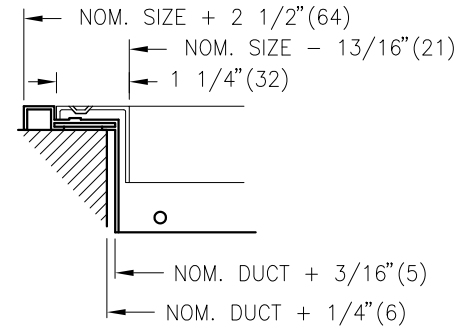
**920 FRONT BLADES**



**A SCREW FASTENING**



**D MOUNTING FRAME**



**MATERIAL:**

- HEAVY DUTY STEEL CONSTRUCTION
- 16 GAUGE STEEL FRAME
- 14 GAUGE STEEL FRONT DEFLECTION BLADES SPACED AT 1/2" (13)
- STEEL REAR DEFLECTION BLADES SPACED AT 3/4" (19)
- 14 GAUGE STEEL MULLIONS
- OPTIONAL D MOUNTING FRAME - EXTRUDED ALUMINUM

**OPTIONS:**

- VCS3-C/W. COATED STEEL OPPOSED BLADE DAMPER
- C/W. 0 DEGREE BLADE LOCK
- C/W. 45 DEGREE BLADE LOCK

**FINISH:**

- B12 WHITE (OPTIONAL FINISHES AVAILABLE)

**NOTES:**

- INDIVIDUALLY ADJUSTABLE FRONT BLADES (45 TO -45 DEG.)
- ONE BLADE FIXED AT 0° DEFLECTION APPROXIMATELY EVERY 12" (305)
- INDIVIDUALLY ADJUSTABLE REAR BLADES
- TYPE A FASTENING - COUNTERSUNK SCREW HOLES FOR NO.8 S.M.S. PER FACTORY STANDARD. (SCREWS SUPPLIED)
- AVAILABLE SIZES - MIN.= 6"x4" (152x101) MAX. ONE PIECE 48"x48" (1219x1219)
- OVERSIZED UNITS AVAILABLE c/w DUCT MOUNTING CHANNEL.
- BLADE ORIENTATION - FRONT SET
  - L = PARALLEL TO LONG DIMENSION.
  - S = PARALLEL TO SHORT DIMENSION.

ALL METRIC DIMENSIONS ( ) ARE SOFT CONVERTED. IMPERIAL DIMENSIONS ARE CONVERTED TO METRIC AND ROUNDED TO THE NEAREST MILLIMETER.

<b>PROJECT:</b>		<b>PRICE</b> <sup>®</sup>	
<b>ENGINEER:</b>			<b>920 SERIES</b> HEAVY DUTY GRILLE DOUBLE DEFLECTION W/ADJUSTABLE BLADES
<b>CUSTOMER:</b>		239579	
<b>SUBMITTAL DATE:</b>	<b>SPEC. SYMBOL:</b>	2013/12/10	