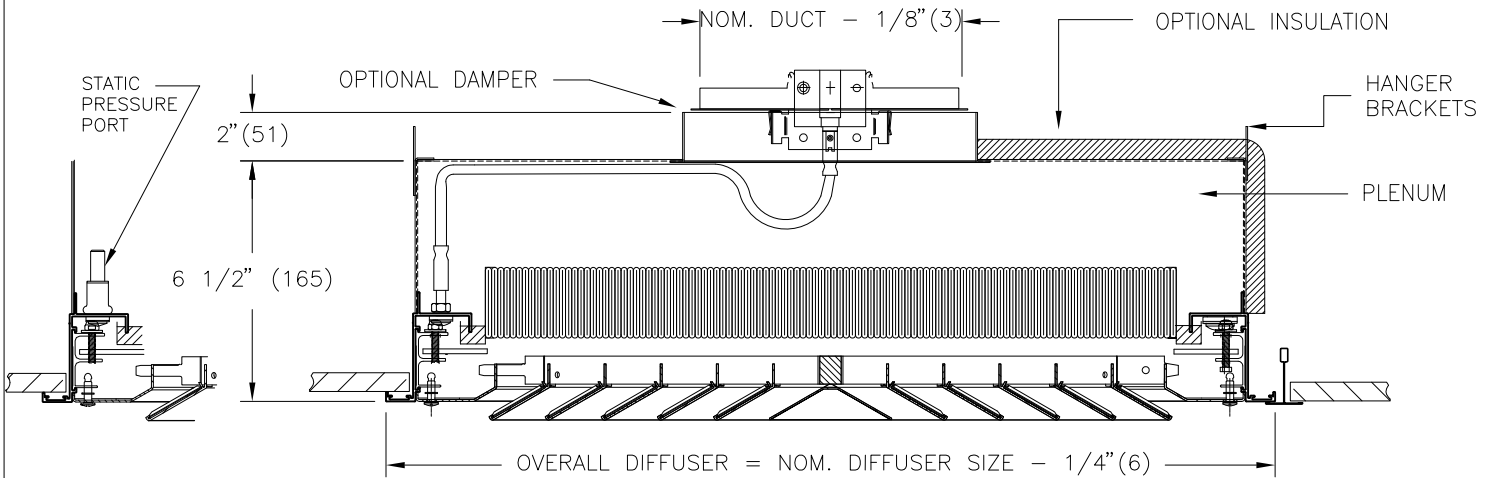
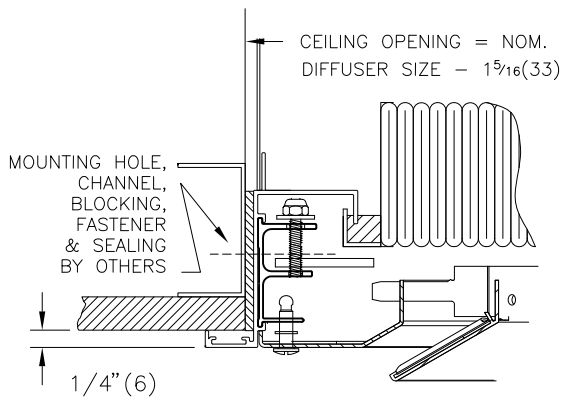


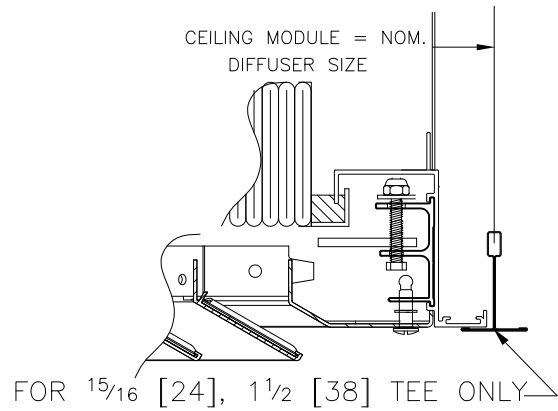
AMDC LOUVERED FACE DIRECTIONAL DIFFUSER WITH HIGH EFFICIENCY FILTER

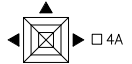
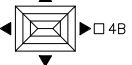


SURFACE MOUNT DETAIL



T-BAR



CEILING MODULE	OVERALL DIFFUSER	DUCT	AVAILABLE CORE STYLES	FILTER AREA
24" X 24" (610 X 610)	23 3/4" X 23 3/4" (603 X 603)	10" (254)	 □4A	2,037 SQ. FT.
24" X 48" (610 X 1219)	23 3/4" X 47 3/4" (306 X 1213)	12" (305)	 □4B	4,890 SQ. FT.

MATERIAL

- LOUVERED FACE: EXTRUDED ALUMINUM
- PLENUM: ALUMINUM CONSTRUCTION
- OPTIONAL DAMPER: COLD ROLLED STEEL

FINISH

- LOUVERED FACE AND FILTER HOUSING: B12 WHITE POWDER COAT
- OPTIONAL DAMPER: B12 WHITE POWDER COAT

OPTIONS

- AFI-0.5: 0.5" THICK ALUMINUM FOIL-BACKED INSULATION
- VCR8EC: FULL FLOW DAMPER C/W CABLE OPERATOR


FILTER SELECTION

- HE: 95% (.3 MICRON)
- HEPA: 99.99% (.3 MICRON)
- ULPA: 99.9995% (.12 MICRON)

NOTES

- OPTIONAL DAMPER REMOTELY OPERATED FROM ROOM SIDE OF FILTER.
- FILTER PACKAGED SEPARATELY FROM FILTER HOUSING FOR JOB SITE INSTALLATION (BY OTHERS).
- PLENUM FACTORY SCANNED FOR LEAKS IN ACCORDANCE WITH IEST-RP-CC034.3
- PLENUM SEALED WITH ADHESIVE SEALANT
- STATIC PRESSURE PORT USED TO MEASURE PRESSURE DROP ACROSS FILTER OR TO SAMPLE AEROSOL CONCENTRATIONS BEFORE FILTER WHEN TESTING FILTER FOR LEAKS.
- FOUR SECURITY BRACKETS ON 24"X48" SIZE ONLY
- TWO STAINLESS STEEL RETAINER CABLES PER UNIT
- FACTORY TOLERANCE: ± 1/32" (1)

ALL METRIC DIMENSIONS () ARE SOFT CONVERTED. IMPERIAL DIMENSIONS ARE CONVERTED TO METRIC AND ROUNDED TO THE NEAREST MILLIMETER.

PROJECT:		
ENGINEER:		
CUSTOMER:		<i>KE</i>
SUBMITTAL DATE:		222373
SPEC. SYMBOL:		2020/01/07
		AMDC LOUVERED FACE DIRECTIONAL DIFFUSER C/W HIGH EFFICIENCY FILTER