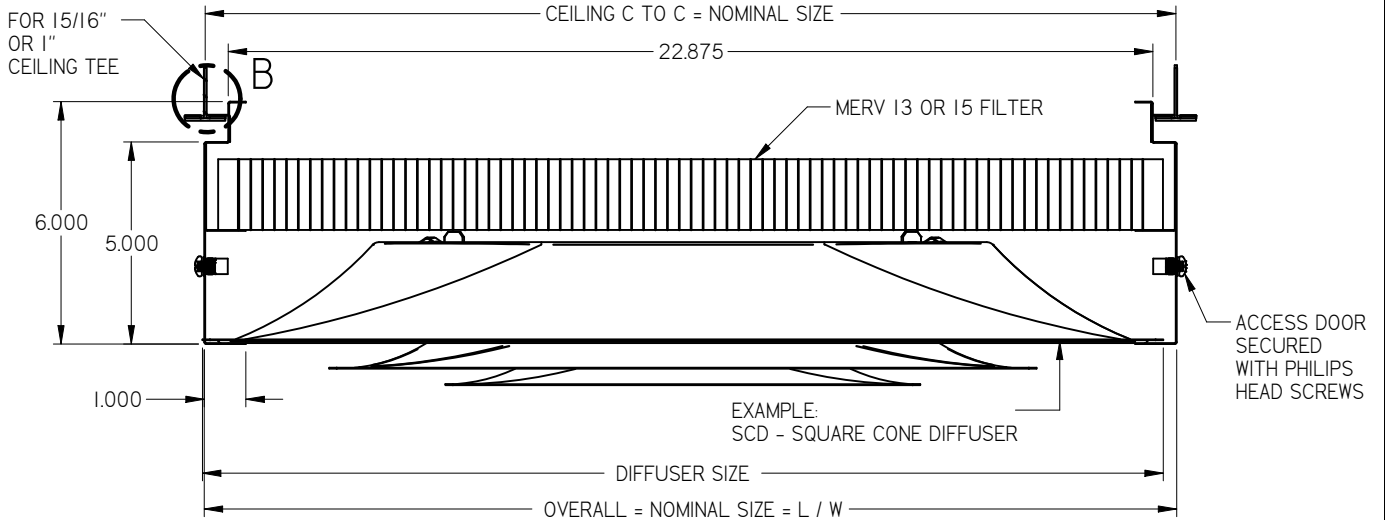
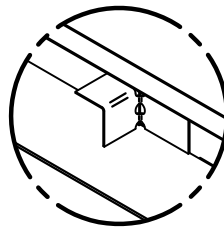
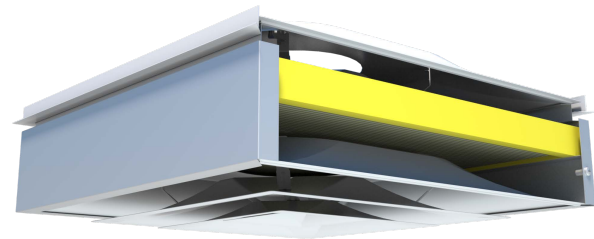
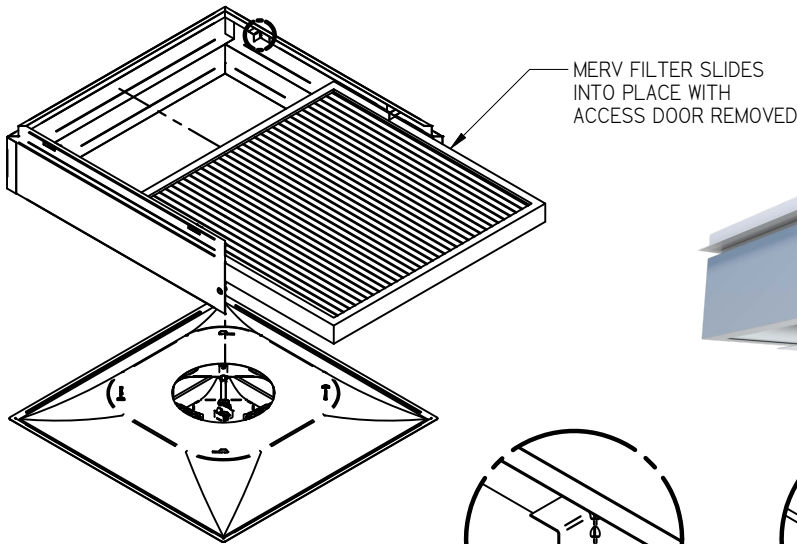


MERV FILTER RETROFIT MODULE DIFFUSER

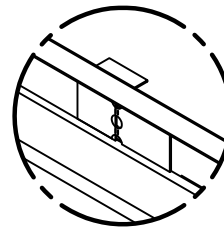


DIMENSIONAL DATA:

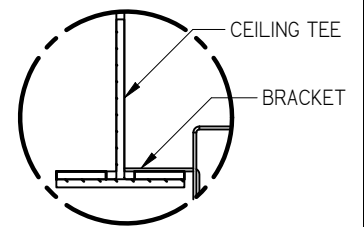
| NOM SIZE | L | W |
|----------|--------|--------|
| 24 x 24 | 24.000 | 24.000 |



DETAIL A



DETAIL B



DETAIL C

STANDARD CONSTRUCTION:

- 24 GA STEEL MATERIAL CONSTRUCTION
- 2" THICK MERV 13 OR 15 FILTER
- ACCESS DOOR SECURED WITH ZINC PLATED PHILLIPS HEAD SCREWS
- TOTAL WEIGHT - 14.5 LBS

FINISH:

- B12 STANDARD WHITE POWDER COAT

INSTALLATION INSTRUCTIONS:

- 1) BRACKETS (x4) (DETAIL A) ARE HAND BENT (DETAIL B) TO REST ON CEILING TEE AND SECURE RETROFIT MODULE IN PLACE (DETAIL C).
- 2) MERV FILTER AND CEILING DIFFUSER SLIDE INTO PLACE.
- 3) ACCESS DOOR IS INSTALLED AND SECURED TO PLENUM CASING WITH TWO PHILLIP HEAD SCREWS.

ALL METRIC DIMENSIONS () ARE SOFT CONVERTED. IMPERIAL DIMENSIONS ARE CONVERTED TO METRIC AND ROUNDED TO THE NEAREST MILLIMETER.

| | | |
|------------------------|----------------------|-------------------|
| PROJECT: | | PRICE |
| ENGINEER: | | |
| CUSTOMER: | | PXY73499 |
| SUBMITTAL DATE: | SPEC. SYMBOL: | 2020/06/22 |

CE-MISC
MERV FILTER
RETORFIT MODULE
DIFFUSER