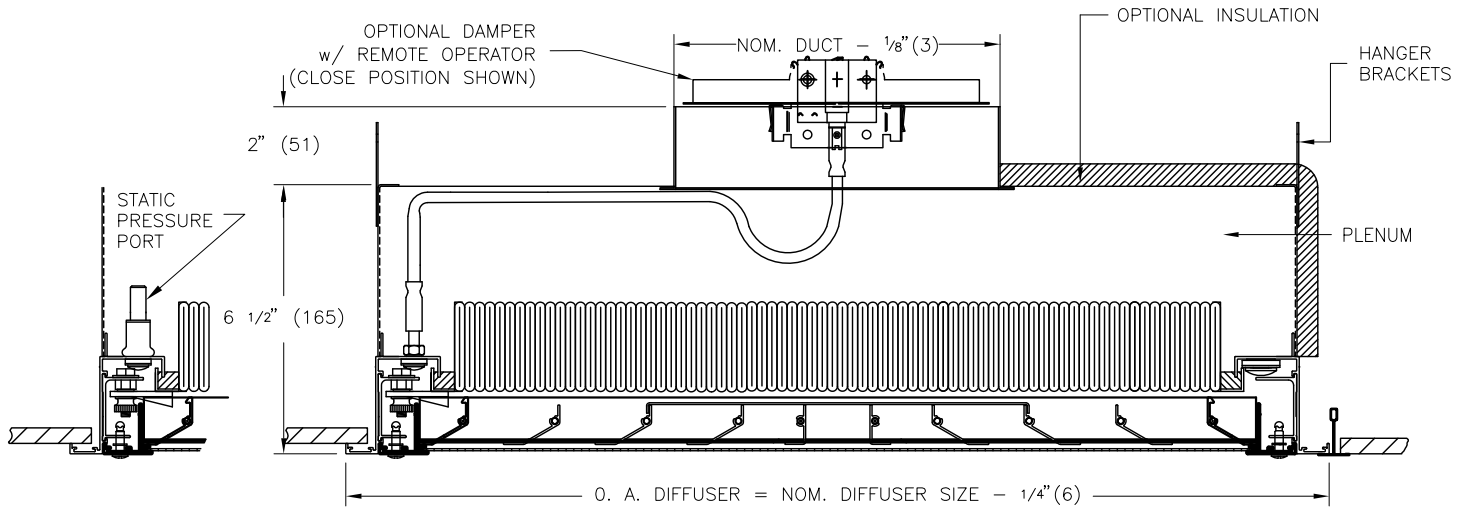
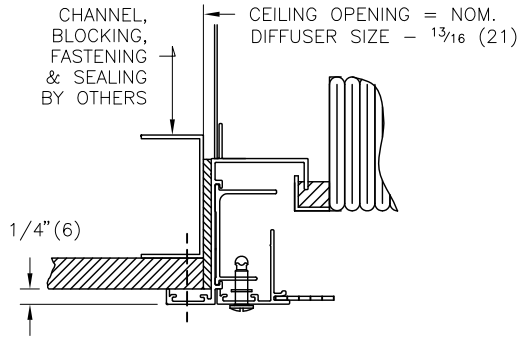


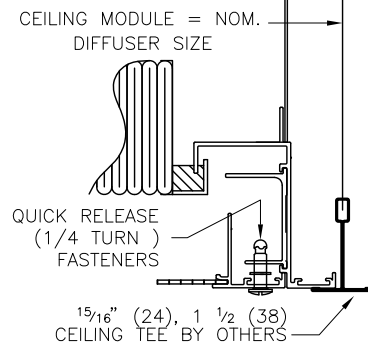
AFRFDC RADIAL FLOW DIFFUSER WITH HIGH EFFICIENCY FILTER



SURFACE MOUNT DETAIL



T-BAR



	NOMINAL DIFFUSER SIZE	INLET SIZE	FILTER AREA
IMPERIAL	24" X 24"	10"	2.037 SQ. FT.
	24" X 48"	12"	4.890 SQ. FT.

NOTE:

- DAMPER REMOTELY OPERATED FROM ROOM SIDE OF FILTER.
- FILTER PACKAGED SEPARATELY FROM FILTER HOUSING FOR JOB SITE INSTALLATION BY OTHERS.
- PLENUM SEALED WITH ADHESIVE SEALANT
- PLENUM FACTORY SCANNED FOR LEAKS IN ACCORDANCE WITH IEST-RP-CC034.3
- STATIC PRESSURE PORT USED TO MEASURE PRESSURE DROP ACROSS FILTER OR TO SAMPLE AEROSOL CONCENTRATIONS BEFORE FILTER WHEN TESTING FILTER FOR LEAKS.
- TWO STAINLESS STEEL RETAINER CABLES PER UNIT
- FACTORY TOLERANCE $\pm 1/32(1)$.

OPTIONS:

- AFI-0.5: 0.5" THICK ALUMINUM FOIL-BACKED INSULATION
- VCR8EC: B12 WHITE POWDER COAT
- VCR8ECSS: STAINLESS STEEL

FILTER SELECTION:

- HE: 95% (.3 MICRON)
- HEPA: 99.99% (.3 MICRON)
- ULPA: 99.9995% (.12 MICRON)

MATERIAL:

- PERFORATED SCREEN AND FRAME : ALUMINUM
- PLENUM : ALUMINUM CONSTRUCTION
- QUICK RELEASE (1/4 TURN) FASTENERS - PLATED STEEL

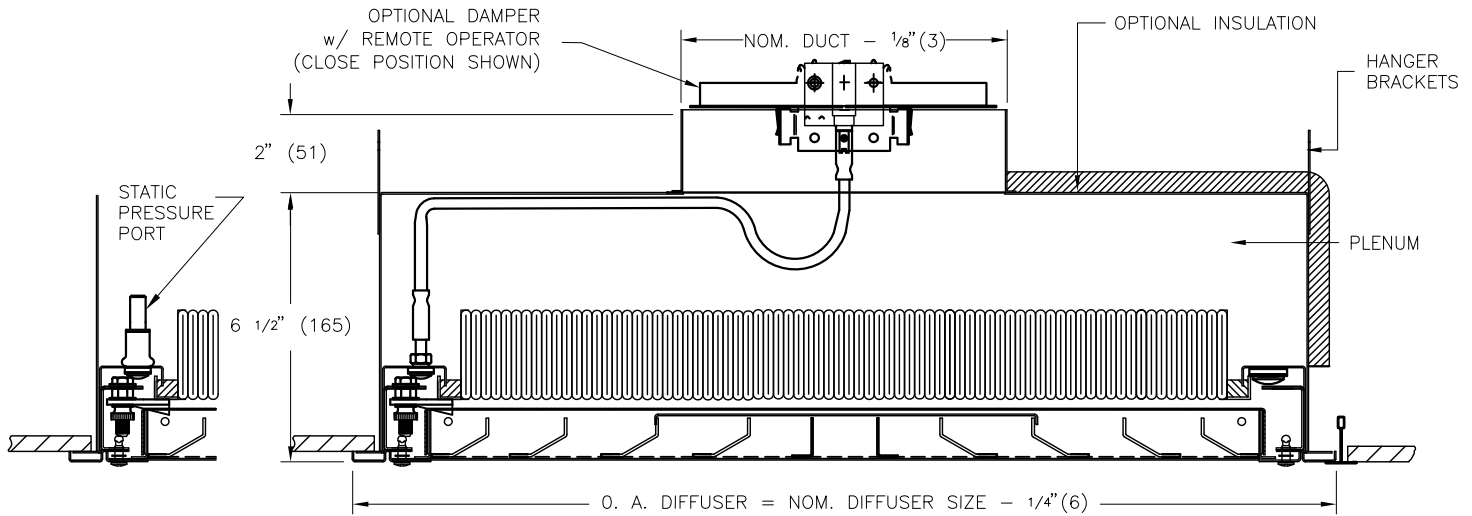
FINISH:

- PERFORATED SCREEN, PLENUM AND FRAME : B12 WHITE POWDER COAT

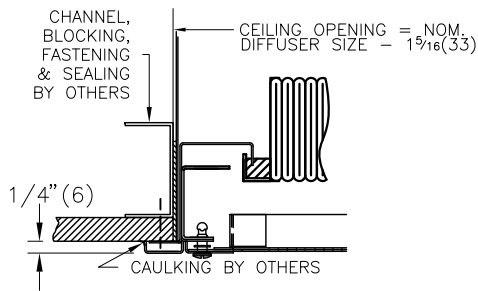
ALL METRIC DIMENSIONS () ARE SOFT CONVERTED. IMPERIAL DIMENSIONS ARE CONVERTED TO METRIC AND ROUNDED TO THE NEAREST MILLIMETER.

PROJECT:		PRICE®	
ENGINEER:			
CUSTOMER:		239309	AFRFDC RADIAL FLOW DIFFUSER C/W HIGH EFFICIENCY FILTER
SUBMITTAL DATE:	SPEC. SYMBOL:	2010/11/29	

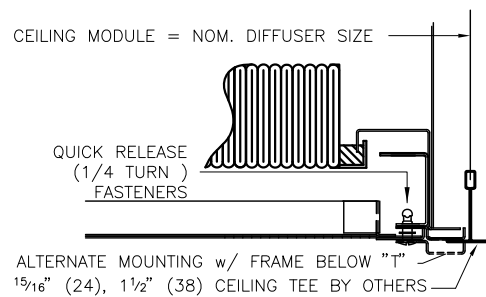
FRFDCSS STAINLESS STEEL RADIAL FLOW DIFFUSER WITH HIGH EFFICIENCY FILTER



SURFACE MOUNT



T-BAR



	NOMINAL DIFFUSER SIZE	INLET SIZE	FILTER AREA
IMPERIAL	24" X 24"	10"	2.037 SQ. FT.
	24" X 48"	12"	4.890 SQ. FT.

NOTE:

- DAMPER REMOTELY OPERATED FROM ROOM SIDE OF FILTER.
- FILTER PACKAGED SEPARATELY FROM FILTER HOUSING FOR JOB SITE INSTALLATION BY OTHERS.
- PLENUM SEALED WITH ADHESIVE SEALANT
- PLENUM FACTORY SCANNED FOR LEAKS IN ACCORDANCE WITH IEST-RP-CC034.3
- STATIC PRESSURE PORT USED TO MEASURE PRESSURE DROP ACROSS FILTER OR TO SAMPLE AEROSOL CONCENTRATIONS BEFORE FILTER WHEN TESTING FILTER FOR LEAKS.
- TWO STAINLESS STEEL RETAINER CABLES PER UNIT
- FACTORY TOLERANCE ± 1/32(1).

OPTIONS:

- AFI-0.5: 0.5" THICK ALUMINUM FOIL-BACKED INSULATION
- VCR8EC: B12 WHITE POWDER COAT
- VCR8ECSS: STAINLESS STEEL

FILTER SELECTION:

- HE: 95% (.3 MICRON)
- HEPA: 99.99% (.3 MICRON)
- ULPA: 99.9995% (.12 MICRON)

MATERIAL:

PERFORATED SCREEN, FRAME AND PLENUM :
.037" (0.94mm) 304 STAINLESS STEEL
QUICK RELEASE (1/4 TURN) FASTENERS : STAINLESS STEEL

FINISH:

#4 FINISH ON ALL EXPOSED SURFACES

ALL METRIC DIMENSIONS () ARE SOFT CONVERTED. IMPERIAL DIMENSIONS ARE CONVERTED TO METRIC AND ROUNDED TO THE NEAREST MILLIMETER.

PROJECT:		PRICE®	
ENGINEER:			
CUSTOMER:		<i>KE</i>	FRFDCSS STAINLESS STEEL RADIAL FLOW DIFFUSER C/W HIGH EFFICIENCY FILTER
SUBMITTAL DATE:		239310	
SPEC. SYMBOL:		2020/01/07	