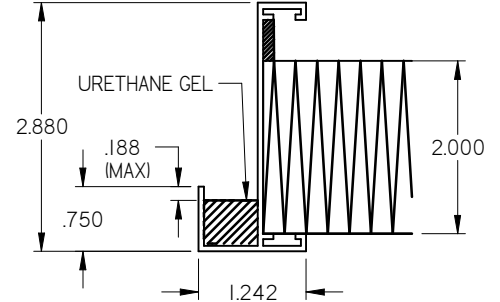
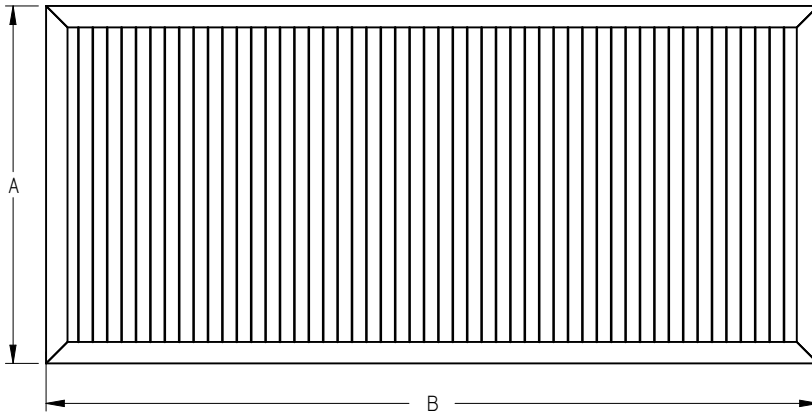


**FTR - Replacement Filters**

**FFU-2-X, UFFU-2-X, Puraflo-1-X, CARES-1-X, LFDC-1-X, RFDC-1-X, ULFD-1-X**



**FILTER PART # (NOMINAL FILTER SIZES)**

| MODULE SIZE | ACTUAL UNIT SIZE | FILTER TYPE | ACTUAL FILTER SIZE (A x B) | FILTER PART #               |
|-------------|------------------|-------------|----------------------------|-----------------------------|
|             |                  |             |                            | ROOM SIDE REPLACEABLE (RSR) |
| 24"x24"     | 23.625"x23.625"  | HEPA        | 20.69"x20.69"              | 042299-020                  |
| 24"x36"     | 23.625"x35.625"  |             | 20.69"x32.69"              | 042299-021                  |
| 24"x48"     | 23.625"x47.625"  |             | 20.69"x44.69"              | 042299-022                  |
| 12"x48"     | 11.625"x47.625"  |             | 8.69"x44.69"               | 042299-028                  |
| 600x600MM   | 23.247"x23.247"  |             | 20.31"x20.31"              | 042299-026                  |
| 600x1200MM  | 23.247"x46.869"  |             | 20.31"x43.93"              | 042299-024                  |
| 24"x24"     | 23.625"x23.625"  | ULPA        | 20.69"x20.69"              | 042299-017                  |
| 24"x36"     | 23.625"x35.625"  |             | 20.69"x32.69"              | 042299-018                  |
| 24"x48"     | 23.625"x47.625"  |             | 20.69"x44.69"              | 042299-019                  |
| 12"x48"     | 11.625"x47.625"  |             | 8.69"x44.69"               | 042299-027                  |
| 600x600MM   | 23.247"x23.247"  |             | 20.31"x20.31"              | 042299-025                  |
| 600x1200MM  | 23.247"x46.869"  |             | 20.31"x43.93"              | 042299-023                  |

SEE FOLLOWING PAGE FOR BTR FILTER STYLE

**NOTES**

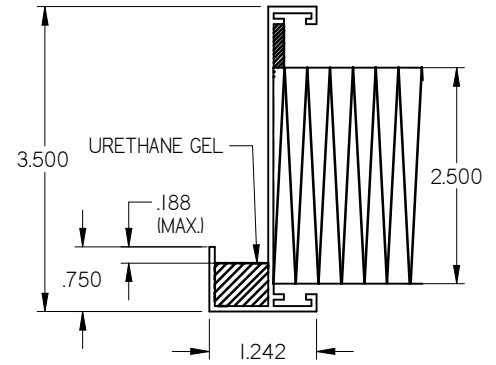
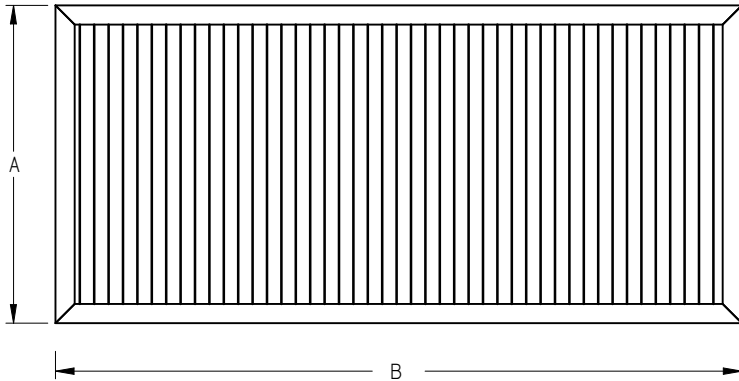
- FILTER PLEATS RUN PARALLEL TO THE WIDTH (A) DIMENSION
- DIMENSIONS A & B TOLERANCES +/-  $\frac{1}{16}$ "
- FILTERS COME WITH GEL SEAL FILLED CHANNEL
- EXPANDED PAINTED WHITE SCREEN ON THE DOWNSTREAM SIDE
- FRAME DETAILS:
  - MATERIAL: ANODIZED EXTRUDED ALUMINUM
  - THICKNESS:  $\frac{1}{16}$ " (MINIMUM)
- HEPA FILTERS EFFICIENCY AND LEAK SCAN TESTED TO IEST RP CC001 TYPE J
- ULPA FILTERS EFFICIENCY AND LEAK SCAN TESTED TO IEST RP CC001 TYPE F
- FILTER PACKAGED SEPERATELY FROM DIFFUSER FOR JOB SITE INSTALLATION BY OTHERS

ALL METRIC DIMENSIONS ( ) ARE SOFT CONVERTED. IMPERIAL DIMENSIONS ARE CONVERTED TO METRIC AND ROUNDED TO THE NEAREST MILLIMETER.

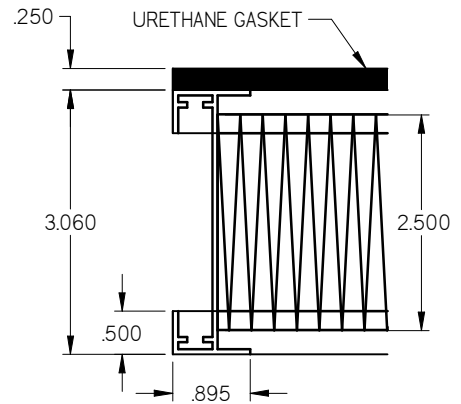
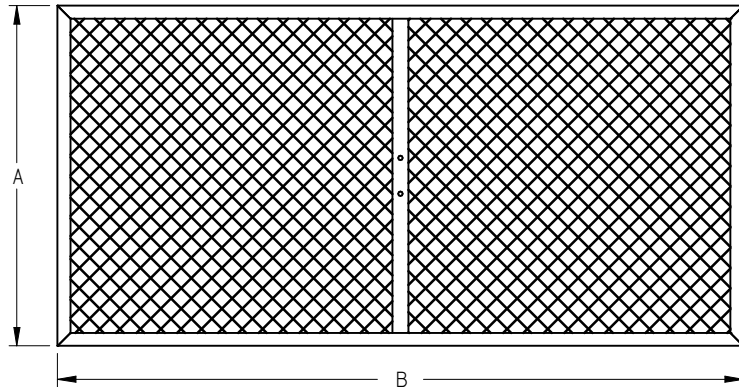
|                        |  |                                    |
|------------------------|--|------------------------------------|
| <b>PROJECT:</b>        |  | <b>PRICE</b>                       |
| <b>ENGINEER:</b>       |  |                                    |
| <b>CUSTOMER:</b>       |  | <b>FTR<br/>REPLACEMENT FILTERS</b> |
| <b>SUBMITTAL DATE:</b> |  | <b>250379</b>                      |
| <b>SPEC. SYMBOL:</b>   |  | <b>06-07-2021</b>                  |

**FTR - Replacement Filters**  
**FFU-HE/FFU-1-X, UFFU-1-X**

**RSR FILTER DIMENSIONS**



**BTR FILTER DIMENSIONS (FFU1-X & FFU-2-X)**



**FILTER PART # (NOMINAL FILTER SIZES)**

| MODULE SIZE | ACTUAL UNIT SIZE | FILTER TYPE | FILTER PART #              |                             |
|-------------|------------------|-------------|----------------------------|-----------------------------|
|             |                  |             | ACTUAL FILTER SIZE (A x B) | ROOM SIDE REPLACEABLE (RSR) |
| 24"x24"     | 23.625"x23.625"  | HEPA        | 20.689"x20.69"             | 042299-005                  |
| 24"x36"     | 23.625"x35.625"  |             | 20.69"x32.69"              | 042299-006                  |
| 24"x48"     | 23.625"x47.625"  |             | 20.69"x44.69"              | 042299-007                  |
| 24"x24"     | 23.625"x23.625"  | ULPA        | 20.69"x20.69"              | 042299-008                  |
| 24"x36"     | 23.625"x35.625"  |             | 20.69"x32.69"              | 042299-009                  |
| 24"x48"     | 23.625"x47.625"  |             | 20.69"x44.69"              | 042299-010                  |
| MODULE SIZE | ACTUAL UNIT SIZE | FILTER TYPE | FILTER PART #              |                             |
|             |                  |             | ACTUAL FILTER SIZE (A x B) | BENCH TOP REPLACEABLE (BTR) |
| 24"x24"     | 23.625"x23.625"  | HEPA        | 23.63"x23.63"              | 042299-011                  |
| 24"x36"     | 23.625"x35.625"  |             | 23.63"x35.63"              | 042299-012                  |
| 24"x48"     | 23.625"x47.625"  |             | 23.63"x47.63"              | 042299-013                  |
| 24"x24"     | 23.625"x23.625"  | ULPA        | 23.63"x23.63"              | 042299-014                  |
| 24"x36"     | 23.625"x35.625"  |             | 23.63"x35.63"              | 042299-015                  |
| 24"x48"     | 23.625"x47.625"  |             | 23.63"x47.63"              | 042299-016                  |

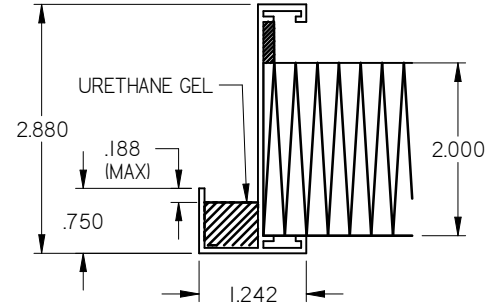
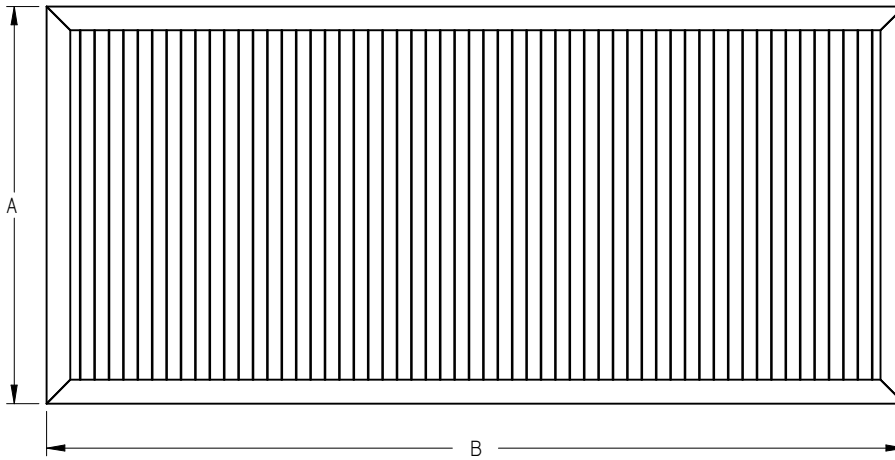
**NOTES**

- FILTER PLEATS RUN PARALLEL TO THE WIDTH (A) DIMENSION
- DIMENSIONS A & B TOLERANCES +/- 1/16"
- RSR FILTERS COME WITH GEL SEAL FILLED CHANNEL
- BTR FILTERS COME WITH GASKETED UPSTREAM FLANGE AND CENTER MULLION WITH STATIC PRESSURE PORTS
- EXPANDED PAINTED WHITE SCREEN ON THE DOWNSTREAM SIDE
- FRAME DETAILS:
  - MATERIAL: ANODIZED EXTRUDED ALUMINUM
  - THICKNESS: 1/16" (MINIMUM)
- HEPA FILTERS EFFICIENCY AND LEAK SCAN TESTED TO IEST RP CC001 TYPE J
- ULPA FILTERS EFFICIENCY AND LEAK SCAN TESTED TO IEST RP CC001 TYPE F
- FILTER PACKAGED SEPERATELY FROM DIFFUSER FOR JOB SITE INSTALLATION BY OTHERS

ALL METRIC DIMENSIONS ( ) ARE SOFT CONVERTED. IMPERIAL DIMENSIONS ARE CONVERTED TO METRIC AND ROUNDED TO THE NEAREST MILLIMETER.

|                        |  |                                |
|------------------------|--|--------------------------------|
| <b>PROJECT:</b>        |  | <b>PRICE</b>                   |
| <b>ENGINEER:</b>       |  |                                |
| <b>CUSTOMER:</b>       |  | <b>KC</b>                      |
| <b>SUBMITTAL DATE:</b> |  | <b>250379</b>                  |
| <b>SPEC. SYMBOL:</b>   |  | <b>FTR REPLACEMENT FILTERS</b> |
|                        |  | <b>06-07-2021</b>              |

**FTR - Replacement Filters  
HGPL-1-X & USA-1-X**



**FILTER PART #**

| UNIT TYPE | MODULE SIZE | ACTUAL UNIT SIZE | FILTER TYPE | ACTUAL FILTER SIZE (A x B) | FILTER PART # |
|-----------|-------------|------------------|-------------|----------------------------|---------------|
| USA-1-X   | 24"x24"     | 24.250"x24.250"  | HEPA        | 19.88"x19.88"              | 042299-029    |
|           | 24"x36"     | 24.250"x36.375"  |             | 19.88"x32.01"              | 042299-030    |
|           | 24"x48"     | 24.250"x48.500"  |             | 19.88"x44.13"              | 042299-032    |
| HGPL-1-X  | 24"x24"     | 24.250"x24.250"  |             | 21.31"x21.31"              | 042299-033    |
|           | 24"x36"     | 24.250"x36.375"  |             | 21.31"x33.44"              | 042299-034    |
|           | 24"x48"     | 24.250"x48.500"  |             | 21.31"x45.56"              | 042299-035    |

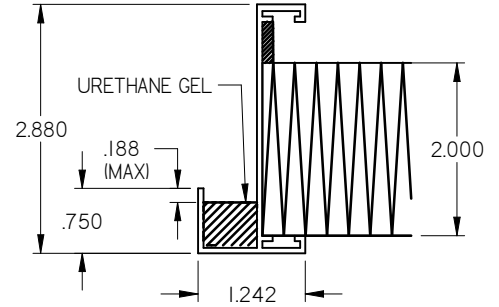
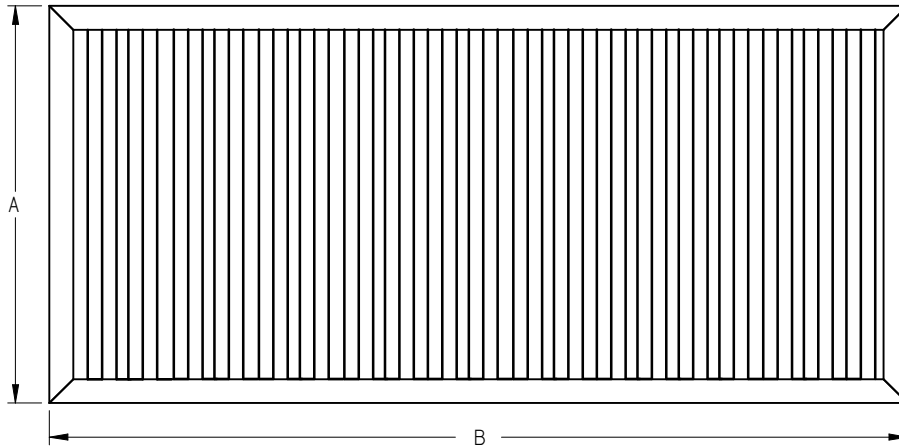
**NOTES**

- FILTER PLEATS RUN PARALLEL TO THE WIDTH (A) DIMENSION
- DIMENSIONS A & B TOLERANCES +/-  $\frac{1}{16}$ "
- FILTERS COME WITH GEL SEAL FILLED CHANNEL
- EXPANDED PAINTED WHITE SCREEN ON THE DOWNSTREAM SIDE
- FRAME DETAILS:
  - MATERIAL: ANODIZED EXTRUDED ALUMINUM
  - THICKNESS:  $\frac{1}{16}$ " (MINIMUM)
- HEPA FILTERS EFFICIENCY AND LEAK SCAN TESTED TO IEST RP CC001 TYPE J
- ULPA FILTERS EFFICIENCY AND LEAK SCAN TESTED TO IEST RP CC001 TYPE F
- FILTER PACKAGED SEPERATELY FROM DIFFUSER FOR JOB SITE INSTALLATION BY OTHERS

ALL METRIC DIMENSIONS ( ) ARE SOFT CONVERTED. IMPERIAL DIMENSIONS ARE CONVERTED TO METRIC AND ROUNDED TO THE NEAREST MILLIMETER.

|                        |  |                                    |
|------------------------|--|------------------------------------|
| <b>PROJECT:</b>        |  | <b>PRICE</b>                       |
| <b>ENGINEER:</b>       |  |                                    |
| <b>CUSTOMER:</b>       |  | <i>KC</i>                          |
| <b>SUBMITTAL DATE:</b> |  | <b>250379</b>                      |
| <b>SPEC. SYMBOL:</b>   |  | <b>FTR<br/>REPLACEMENT FILTERS</b> |
|                        |  | 06-07-2021                         |

**FTR - Replacement Filters**  
**LFDC/LFDCSS/AFRFDC/FRFDCSS/RFDC/AMDC/RVDC/FFU/FFUSS**



**FILTER PART # (NOMINAL FILTER SIZES)**

| MODULE SIZE | ACTUAL UNIT SIZE | FILTER TYPE | ACTUAL FILTER SIZE (A x B) | FILTER PART # |
|-------------|------------------|-------------|----------------------------|---------------|
| 24" x 24"   | 23.750"x23.750"  | HE          | 19.88"x19.88"              | 042294-007    |
|             | 23.750"x23.750"  | HEPA        | 19.88"x19.88"              | 042294-008    |
|             | 23.750"x23.750"  | ULPA        | 19.88"x19.88"              | 042294-009    |
| 24" x 36"   | 23.750"x35.750"  | HE          | 19.88"x31.88"              | 042294-019    |
|             | 23.750"x35.750"  | HEPA        | 19.88"x31.88"              | 042294-020    |
|             | 23.750"x35.750"  | ULPA        | 19.88"x31.88"              | 042294-021    |
| 24" x 48"   | 23.750"x47.750"  | HE          | 19.88"x43.88"              | 042294-001    |
|             | 23.750"x47.750"  | HEPA        | 19.88"x43.88"              | 042294-002    |
|             | 23.750"x47.750"  | ULPA        | 19.88"x43.88"              | 042294-003    |

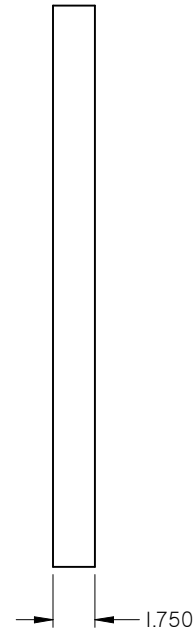
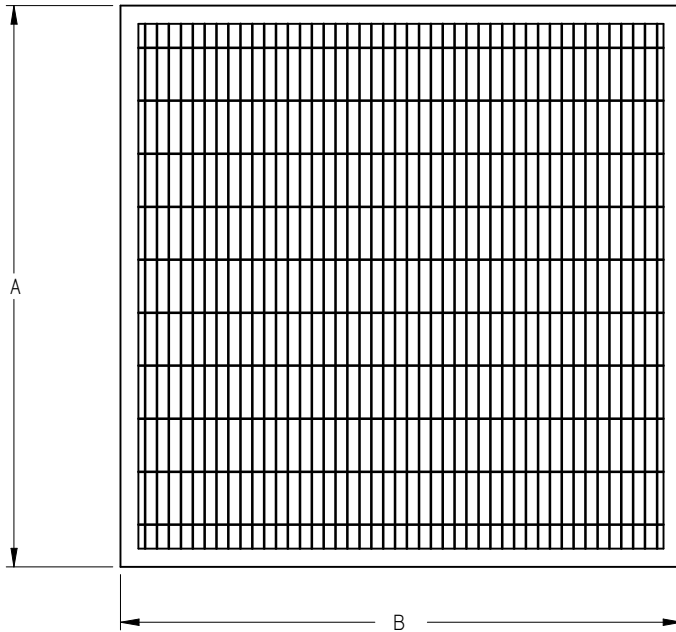
**NOTES**

- FILTER PLEATS RUN PARALLEL TO THE WIDTH (A) DIMENSION
- DIMENSIONS A & B TOLERANCES +/-  $\frac{1}{16}$ "
- FILTERS COME WITH GEL SEAL FILLED CHANNEL
- EXPANDED PAINTED WHITE SCREEN ON THE DOWNSTREAM SIDE
- FRAME DETAILS:
  - MATERIAL: ANODIZED EXTRUDED ALUMINUM
  - THICKNESS:  $\frac{1}{16}$ " (MINIMUM)
- HEPA FILTERS EFFICIENCY AND LEAK SCAN TESTED TO IEST RP CC001 TYPE J
- ULPA FILTERS EFFICIENCY AND LEAK SCAN TESTED TO IEST RP CC001 TYPE F
- FILTER PACKAGED SEPERATELY FROM DIFFUSER FOR JOB SITE INSTALLATION BY OTHERS

ALL METRIC DIMENSIONS ( ) ARE SOFT CONVERTED. IMPERIAL DIMENSIONS ARE CONVERTED TO METRIC AND ROUNDED TO THE NEAREST MILLIMETER.

|                        |  |                                    |
|------------------------|--|------------------------------------|
| <b>PROJECT:</b>        |  | <b>PRICE</b>                       |
| <b>ENGINEER:</b>       |  |                                    |
| <b>CUSTOMER:</b>       |  | <b>FTR<br/>REPLACEMENT FILTERS</b> |
| <b>SUBMITTAL DATE:</b> |  | <b>250379</b>                      |
| <b>SPEC. SYMBOL:</b>   |  | 06-07-2021                         |

**FTR - Replacement Filters**  
**FDM-1-X**





**FILTER PART # (NOMINAL FILTER SIZES)**

| MODULE SIZE | FILTER TYPE | ACTUAL FILTER SIZE (A x B) | FILTER PART # |
|-------------|-------------|----------------------------|---------------|
| 24"x24"     | MERV13      | 23.375"x23.375"            | 042292-005    |
|             | MERV15      | 23.375"x23.375"            | 042292-006    |

**NOTES:**

- FILTER FRAME CONSTRUCTED WITH HIGH-IMPACT PLASTIC AND IMPERVIOUS TO MOISTURE AND HIGH HUMIDITY
- MEDIA PACK IS ADHERED TO PLASTIC FRAME ON ALL SIDES TO PREVENT AIR BY-PASS
- FILTERS ARE UL 900 CERTIFIED

ALL METRIC DIMENSIONS ( ) ARE SOFT CONVERTED. IMPERIAL DIMENSIONS ARE CONVERTED TO METRIC AND ROUNDED TO THE NEAREST MILLIMETER.

|                        |                      |  |
|------------------------|----------------------|--|
| <b>PROJECT:</b>        |                      | <br><br><b>FTR</b><br><b>REPLACEMENT FILTERS</b> |
| <b>ENGINEER:</b>       |                      |  |
| <b>CUSTOMER:</b>       |                      | <b>250379</b>  |
| <b>SUBMITTAL DATE:</b> | <b>SPEC. SYMBOL:</b> | 06-07-2021   |