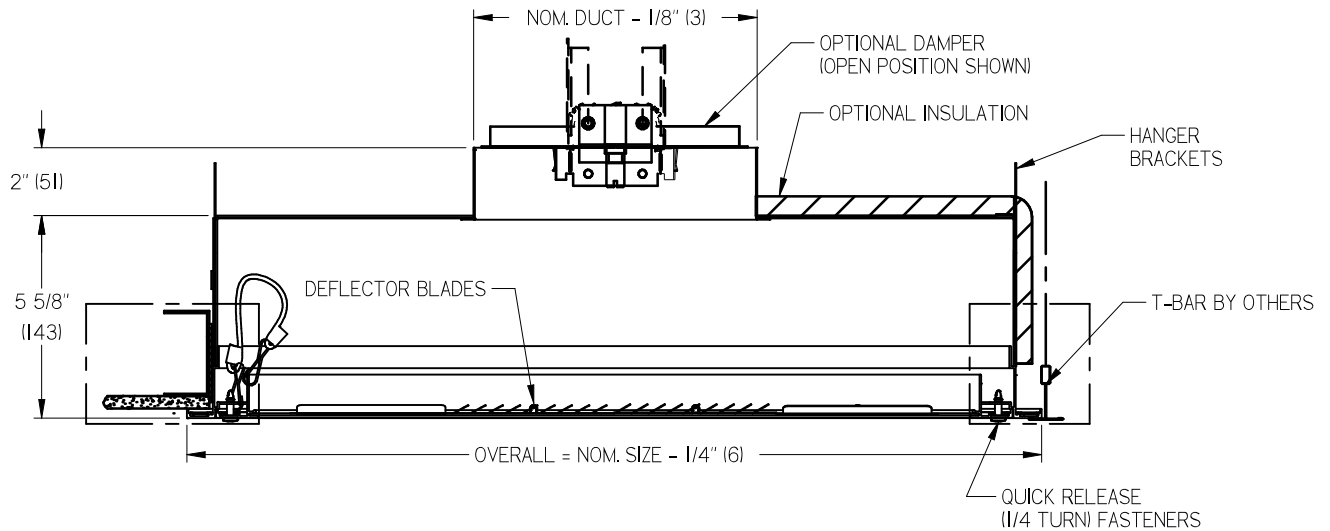
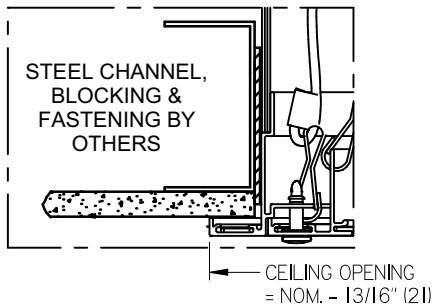


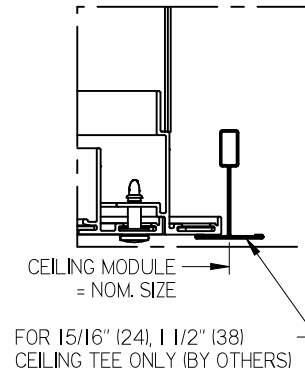
**HCF - HIGH CAPACITY FLUSH FACE DIFFUSER**



**SURFACE MOUNT DETAIL**  
(UNINSULATED PLENUMS ONLY)



**T-BAR MOUNT DETAIL**



NOMINAL DIFFUSER SIZE	INLET
IMPERIAL	
24" X 24" (610 X 610)	8" (203), 10" (254)
24" X 48" (610 X 1219)	10" (254), 12" (305)

**STANDARD CONSTRUCTION:**

- PERFORATED FACE AND FRAME - ALUMINUM
- PLENUM - ALUMINUM
- QUICK RELEASE (1/4 TURN) FASTENERS - PLATED STEEL
- PATTERN DEFLECTORS - STEEL
- TWO STAINLESS STEEL RETAINER CALBES PER UNIT

**FINISH:**

- B12 WHITE  
(OPTIONAL FINISHES AVAILABLE)

**FASTENING OPTIONS & ACCESSORIES:**

- AFI-0.5 - 0.5" THICK ALUMINUM FOIL BACKED INSULATION
- VCR8 DAMPER - B12 WHITE FINISH

**AIR PATTERN:**

- 1W = 1 WAY
- 2W = 2 WAY

**NOTES:**

- AVAILABLE SIZES IN INCHES: 24X24 AND 24X48
- AVAILABLE AIR PATTERNS: 1-WAY (1W) AND 2-WAY (2W)
- FACTORY TOLERANCE +/- 1/32" (1)

ALL METRIC DIMENSIONS ( ) ARE SOFT CONVERTED. IMPERIAL DIMENSIONS ARE CONVERTED TO METRIC AND ROUNDED TO THE NEAREST MILLIMETER.

<b>PROJECT:</b>		<b>PRICE</b>
<b>ENGINEER:</b>		
<b>CUSTOMER:</b>		<b>DK</b>
<b>SUBMITTAL DATE:</b>		244542
<b>SPEC. SYMBOL:</b>		2009/09/30
		<b>HCF</b> HIGH CAPACITY FLUSH FACE DIFFUSER