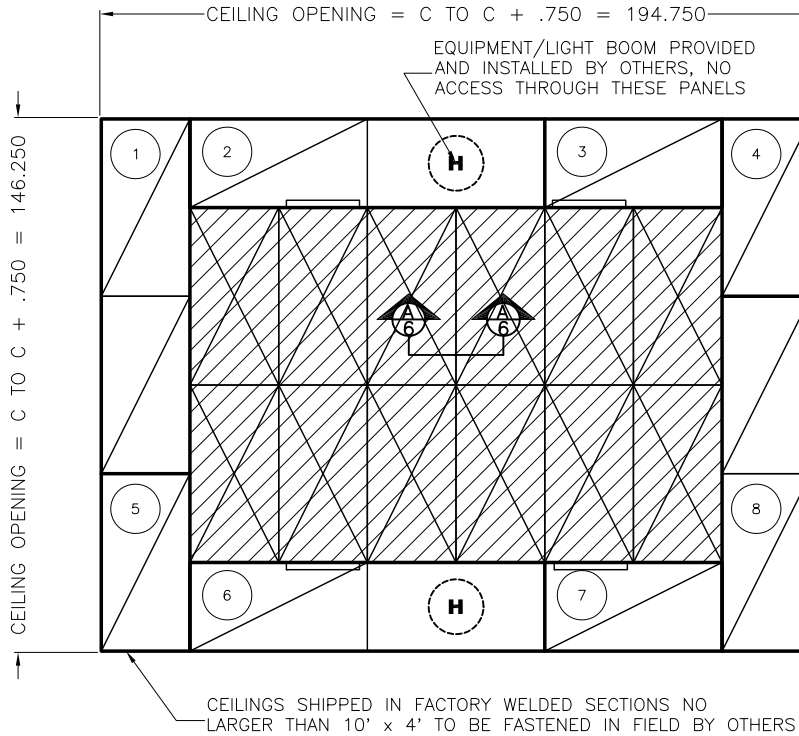


**HOSPITAL GRADE LAMINAR FLOW COMMON PLENUM
CEILING SYSTEM**

SAMPLE REFLECTED CEILING PLAN - LAYOUT A

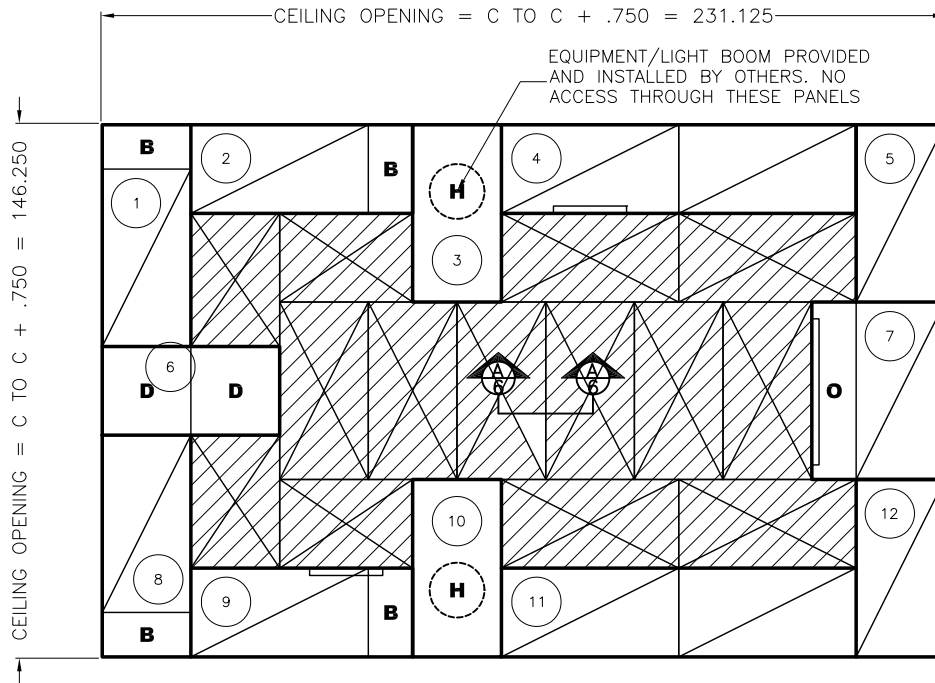






TOTAL AREA = 196 sq. ft.		
HGPL = 98 sq. ft.		HGWC = 98 sq. ft.
LAMINAR FLOW COMMON PLENUM 48 x 24 (x 12)	LIGHT FIXTURES BY OTHERS 48 x 24 (x 10)	SCF PANELS H: 48 x 24 (x 2)

- FINISH OPTIONS:
 - B12 STANDARD WHITE
 - B11 PURE WHITE
 - B25 CUSTOM TO MATCH
 - AC ANODIZED CLEAR
 - PANEL CUTOUTS FOR BOOMS DONE IN FIELD BY OTHERS
 - THE CEILING IS FACTORY PREMANUFACTURED TO SIZES AND TOLERANCE +/- .032"
 - SITE ADJUSTMENTS TO PERIMETER SOFFITS AND/OR DRYWALL MAY BE REQUIRED AND ARE THE RESPONSIBILITY OF THE INSTALLER
- ALL METRIC DIMENSIONS () ARE SOFT CONVERTED. IMPERIAL DIMENSIONS ARE CONVERTED TO METRIC AND ROUNDED TO THE NEAREST MILLIMETER.

PROJECT:		PRICE[®]	
ENGINEER:		<i>DK</i>	HGPL HOSPITAL GRADE LAMINAR FLOW COMMON PLENUM CEILING SYSTEM
CUSTOMER:		248726	
SUBMITTAL DATE:	REVISION: D	2017/12/08	

**HOSPITAL GRADE LAMINAR FLOW COMMON PLENUM
CEILING SYSTEM
SAMPLE REFLECTED CEILING PLAN - LAYOUT B**

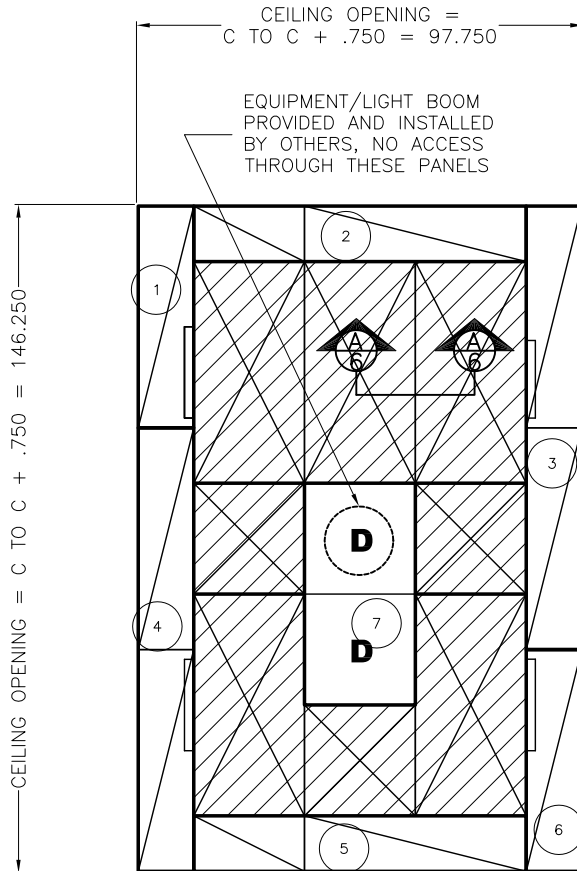


TOTAL AREA = 233 sq. ft.			
HGPL = 106 sq. ft.		HGWC = 127 sq. ft.	
 LAMINAR FLOW COMMON PLENUM 36 x 24 (x 4) 48 x 24 (x 10)	 LIGHT FIXTURES BY OTHERS 48 x 24 (x 11)	 ACCESS PANELS B: 24 x 12 (x 4) D: 24 x 24 (x 2) O: 48 x 12 (x 1)	 SCF PANELS H: 48 x 24 (x 2)

- FINISH OPTIONS:
 - B12 STANDARD WHITE
 - B11 PURE WHITE
 - B25 CUSTOM TO MATCH
 - AC ANODIZED CLEAR
 - PANEL CUTOUTS FOR BOOMS DONE IN FIELD BY OTHERS
 - THE CEILING IS FACTORY PREMANUFACTURED TO SIZES AND TOLERANCE +/- .032"
 - SITE ADJUSTMENTS TO PERIMETER SOFFITS AND/OR DRYWALL MAY BE REQUIRED AND ARE THE RESPONSIBILITY OF THE INSTALLER
- ALL METRIC DIMENSIONS () ARE SOFT CONVERTED. IMPERIAL DIMENSIONS ARE CONVERTED TO METRIC AND ROUNDED TO THE NEAREST MILLIMETER.

PROJECT:		PRICE [®]	
ENGINEER:		<i>DK</i>	
CUSTOMER:		248726	
SUBMITTAL DATE:	REVISION: D	2017/12/08	
		HGPL HOSPITAL GRADE LAMINAR FLOW COMMON PLENUM CEILING SYSTEM	

**HOSPITAL GRADE LAMINAR FLOW COMMON PLENUM
CEILING SYSTEM
SAMPLE REFLECTED CEILING PLAN - LAYOUT C**

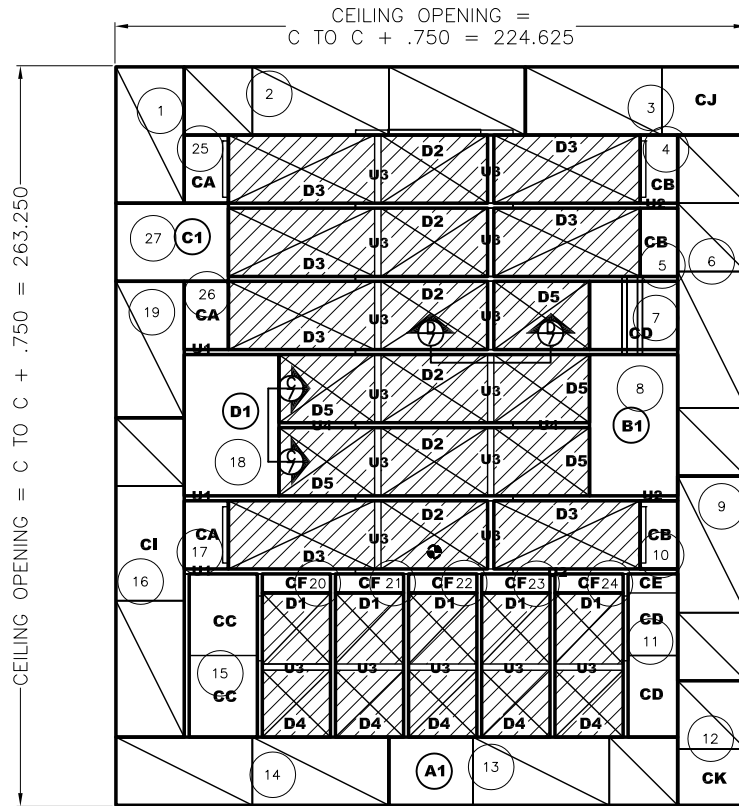


TOTAL AREA = 98 sq. ft.			
HGPL = 53 sq. ft.	HGWC = 45 sq. ft.		
LAMINAR FLOW COMMON PLENUM 48 x 24 (x 5) 24 x 24 (x 3)	LIGHT FIXTURES BY OTHERS 48 x 12 (x 8) 24 x 12 (x 2)	ACCESS PANELS D: 24 x 24 (x 1)	SCF PANELS D: 24 x 24 (x 1)

- FINISH OPTIONS:
 - B12 STANDARD WHITE
 - B11 PURE WHITE
 - B25 CUSTOM TO MATCH
 - AC ANODIZED CLEAR
 - PANEL CUTOUTS FOR BOOMS DONE IN FIELD BY OTHERS
 - THE CEILING IS FACTORY PREMANUFACTURED TO SIZES AND TOLERANCE +/- .032"
 - SITE ADJUSTMENTS TO PERIMETER SOFFITS AND/OR DRYWALL MAY BE REQUIRED AND ARE THE RESPONSIBILITY OF THE INSTALLER
- ALL METRIC DIMENSIONS () ARE SOFT CONVERTED. IMPERIAL DIMENSIONS ARE CONVERTED TO METRIC AND ROUNDED TO THE NEAREST MILLIMETER.

PROJECT:			
ENGINEER:		<i>DK</i>	HGPL HOSPITAL GRADE LAMINAR FLOW COMMON PLENUM CEILING SYSTEM
CUSTOMER:		248726	
SUBMITTAL DATE:	REVISION: D	2017/12/08	

**HOSPITAL GRADE LAMINAR FLOW COMMON PLENUM
CEILING SYSTEM
SAMPLE REFLECTED CEILING PLAN - LAYOUT D
UNISTRUT WITH PLENUM MANIFOLD CONNECTIONS**

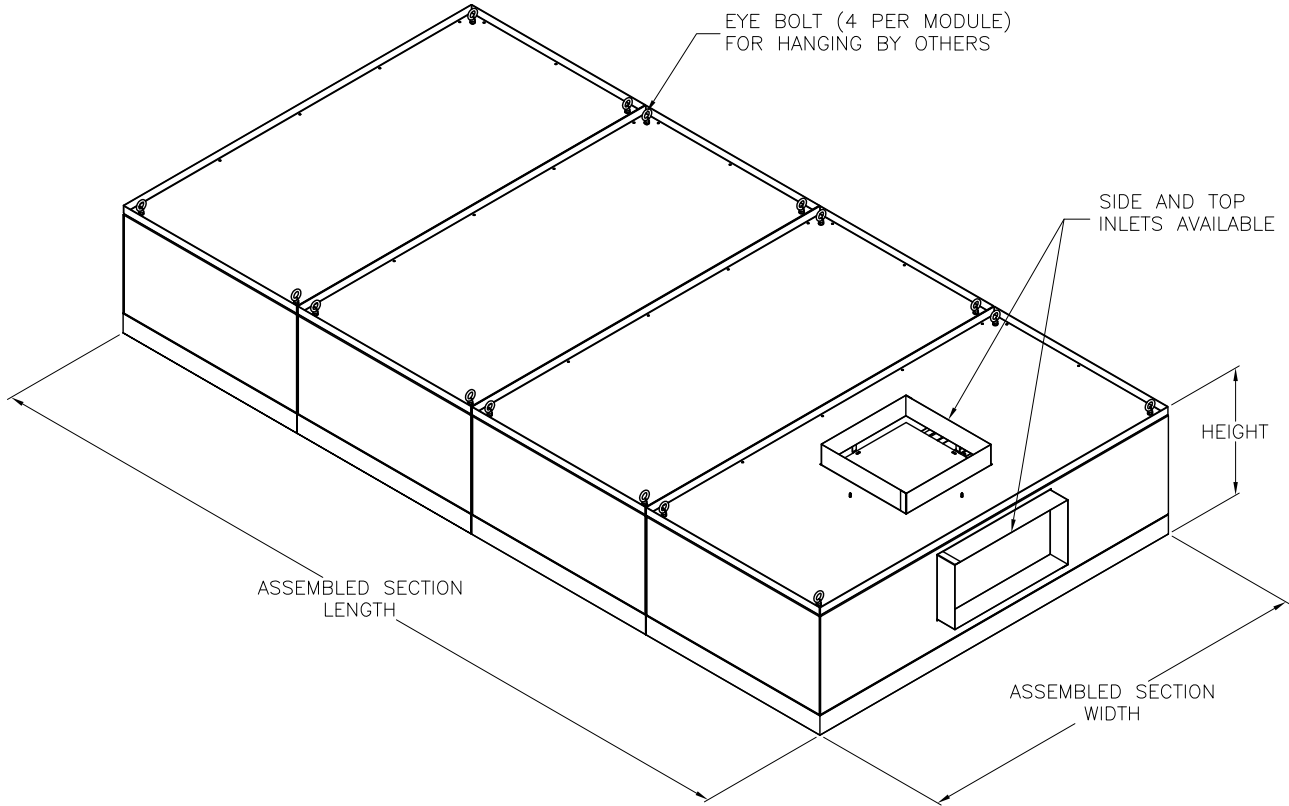


TOTAL AREA = 408 sq. ft.			
HGPL = 166 sq. ft.		HGWC = 242 sq. ft.	
<input checked="" type="checkbox"/> LAMINAR FLOW COMMON PLENUM 25.25 x 24.25 (x 5) 37.875 x 24.25 (x 6) 52 x 24.25 (x 7) 23.75 x 24.25 (x 5) 34 x 24.25 (x 5)	<input type="checkbox"/> U-CHANNEL U1: 60.875 x 1.75 (x 3) U2: 58.50 x 1.75 (x 3) U3: 24.25 x 2.25 (x 17) U4: 27.19 x 1.75 (x 2)	<input type="checkbox"/> ACCESS PANELS CA: 15.5 x 24 (x 3) CB: 13.2 x 24 (x 3) CC: 28.7 x 24 (x 2) CD: 31 x 24 (x 2) CE: 6.7 x 17.4 (x 1) CF: 6.7 x 24 (x 5) CI: 40.3 x 24 (x 1) CJ: 29.6 x 24 (x 1) CK: 24 x 19.8 (x 1)	<input type="checkbox"/> SCF PANELS A1: 29.57 x 24 (x 1) B1: 49.73 x 30.99 (x 1) C1: 39.53 x 27.64 (x 1) D1: 49.73 x 33.34 (x 1)
		<input checked="" type="checkbox"/> LIGHT FIXTURES (BY OTHERS) 48 x 24 (x 11) 24 x 24 (x 8)	

- FINISH OPTIONS:
 - B12 STANDARD WHITE
 - B11 PURE WHITE
 - B25 CUSTOM TO MATCH
 - AC ANODIZED CLEAR
 - PANEL CUTOUPS FOR BOOMS DONE IN FIELD BY OTHERS
 - THE CEILING IS FACTORY PREMANUFACTURED TO SIZES AND TOLERANCE +/- .032"
 - SITE ADJUSTMENTS TO PERIMETER SOFFITS AND/OR DRYWALL MAY BE REQUIRED AND ARE THE RESPONSIBILITY OF THE INSTALLER
- ALL METRIC DIMENSIONS () ARE SOFT CONVERTED. IMPERIAL DIMENSIONS ARE CONVERTED TO METRIC AND ROUNDED TO THE NEAREST MILLIMETER.

PROJECT:		PRICE [®]	
ENGINEER:		<i>DK</i>	
CUSTOMER:		248726	
SUBMITTAL DATE:	REVISION: D	2017/12/08	
		HGPL HOSPITAL GRADE LAMINAR FLOW COMMON PLENUM CEILING SYSTEM	

**HOSPITAL GRADE LAMINAR FLOW COMMON PLENUM
CEILING SYSTEM
ISO VIEW**



**FACTORY ASSEMBLED SECTION
(MAX SIZE 10'x4')**

STANDARD CONSTRUCTION

- 14 GA ALUMINUM PLENUM
- ROOM SIDE ADJUSTABLE DAMPER
- DIFFUSER FACE SECURED WITH STAINLESS STEEL QUICK RELEASE ¼ TURN FASTENERS
- TWO STAINLESS STEEL RETAINER CABLES PER SECTION

FINISH OPTIONS

- B12 STANDARD WHITE
- B11 PURE WHITE
- B25 CUSTOM TO MATCH
- AC ANODIZED CLEAR

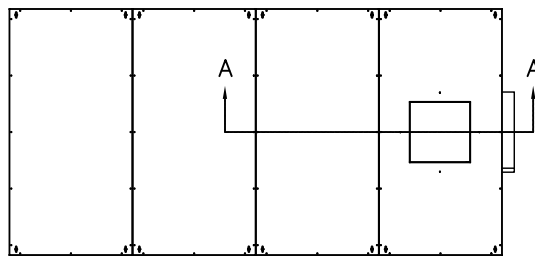
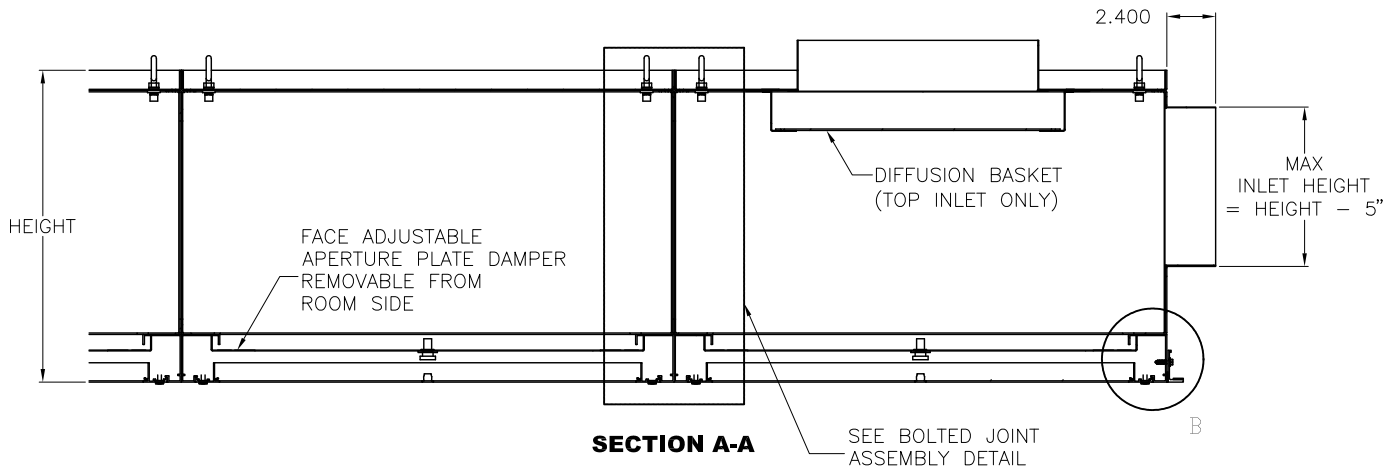
INSTALLATION NOTES

- THE COMMON PLENUM ARRAY IS SUPPLIED IN MULTIPLE FACTORY ASSEMBLED SECTIONS NO LARGER THAN 10'x4'
- ASSEMBLED SECTION CONNECTIONS DONE IN FIELD BY OTHERS WITH FACTORY PROVIDED HARDWARE
- ASSEMBLED SECTION CONNECTIONS TO BE SEALED IN FIELD BY OTHERS WITH SEALANT PROVIDED BY OTHERS
- INSTALLATION AND MOUNTING OF THE COMMON PLENUM ARRAY IS THE RESPONSIBILITY OF THE INSTALLER

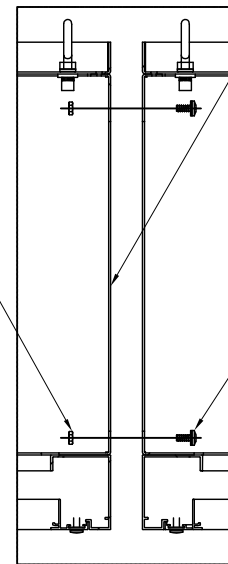
ALL METRIC DIMENSIONS () ARE SOFT CONVERTED. IMPERIAL DIMENSIONS ARE CONVERTED TO METRIC AND ROUNDED TO THE NEAREST MILLIMETER.

PROJECT:		PRICE [®]	
ENGINEER:		<i>DK</i>	HGPL
CUSTOMER:		248726	HOSPITAL GRADE LAMINAR FLOW COMMON PLENUM CEILING SYSTEM
SUBMITTAL DATE:	REVISION: D	2017/12/08	

**HOSPITAL GRADE LAMINAR FLOW COMMON PLENUM
CEILING SYSTEM
COMMON DETAIL VIEWS**



OPENING CUTOUT FOR AIR TO PASS BETWEEN PLENUMS



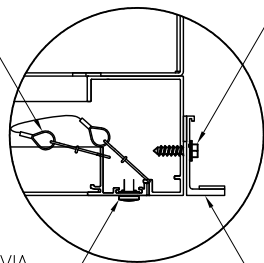
1/4" SS FLAT WASHER
1/4"-20 JAM NUT

SELF-TAPPING SCREWS
#8 x 1/2" MAX
PROVIDED BY OTHERS

1/4"-20 x 3/4"
SS BOLT

TWO STAINLESS STEEL
RETAINER CALBES
PER FACE

REMOVABLE FACE VIA
1/4 TURN FASTENERS



DETAIL B

HGWC SECTION
FASTENS TO INTEGRATED
PLENUM ON SITE
BY OTHERS

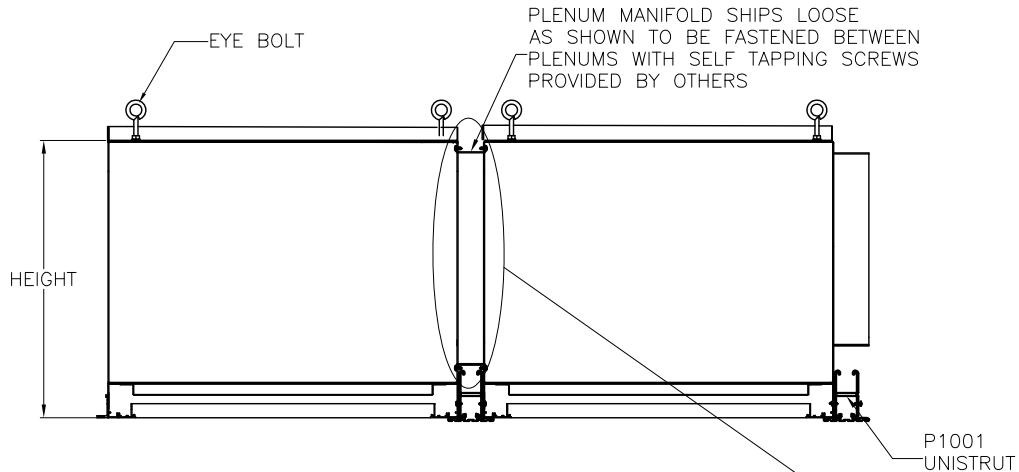


**BOLTED JOINT
ASSEMBLY DETAIL WITH
FACTORY PROVIDED HARDWARE**

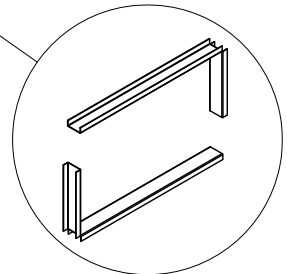
ALL METRIC DIMENSIONS () ARE SOFT CONVERTED. IMPERIAL DIMENSIONS ARE CONVERTED TO METRIC AND ROUNDED TO THE NEAREST MILLIMETER.

PROJECT:		PRICE [®]	
ENGINEER:		<i>DK</i>	
CUSTOMER:		248726	
SUBMITTAL DATE:	REVISION: D	2017/12/08	
		HGPL HOSPITAL GRADE LAMINAR FLOW COMMON PLENUM CEILING SYSTEM	

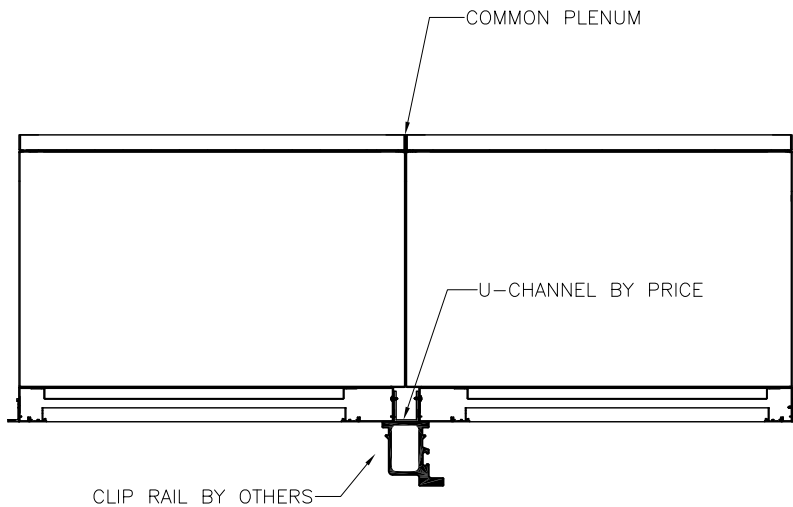
**HOSPITAL GRADE LAMINAR FLOW COMMON PLENUM
CEILING SYSTEM
COMMON DETAIL VIEWS**



UNISTRUT CROSS SECTION



**PLENUM MANIFOLD
ISO VIEW**



CLIP RAIL CROSS SECTION

ALL METRIC DIMENSIONS () ARE SOFT CONVERTED. IMPERIAL DIMENSIONS ARE CONVERTED TO METRIC AND ROUNDED TO THE NEAREST MILLIMETER.

PROJECT:		PRICE [®]	
ENGINEER:		<i>DK</i>	HGPL
CUSTOMER:		248726	HOSPITAL GRADE LAMINAR FLOW COMMON PLENUM CEILING SYSTEM
SUBMITTAL DATE:	REVISION: D	2017/12/08	