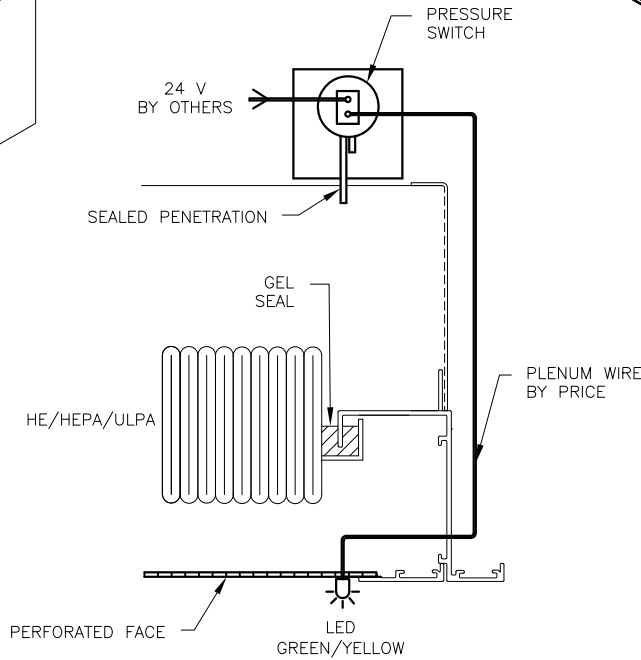
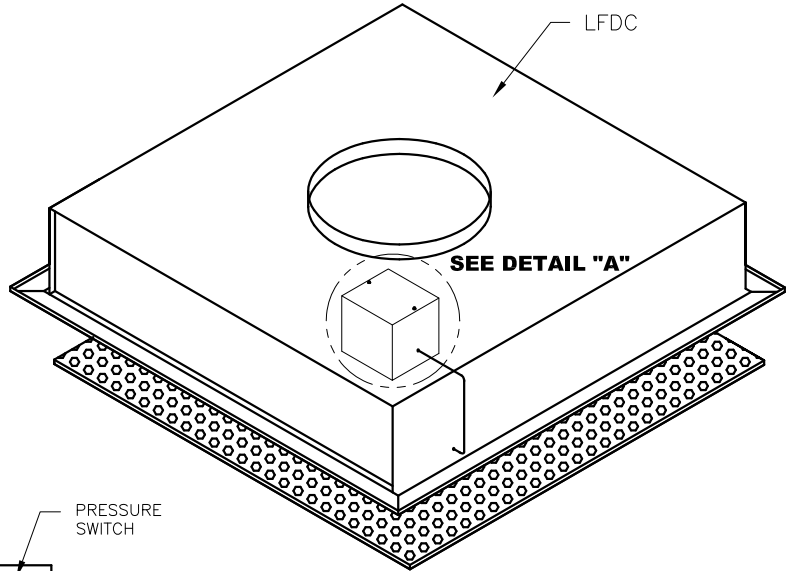
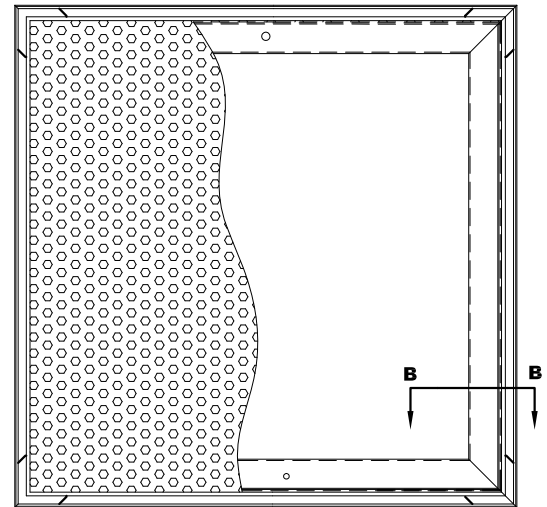


DETAIL "A"



SECTION B



NOTES:

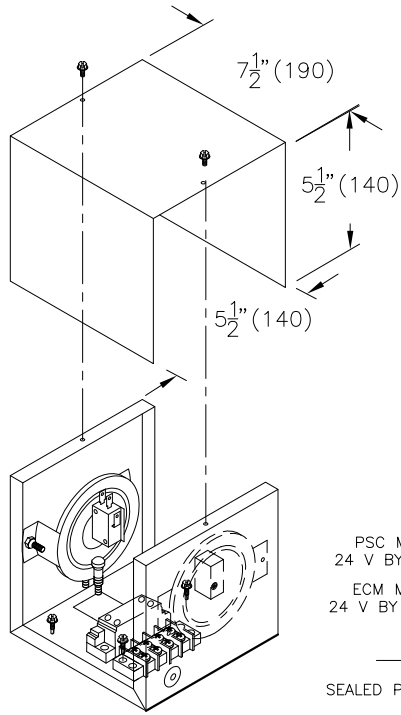
- LED MONITORS FILTER LOADING. WHEN GREEN LIGHT TURNS YELLOW FILTER IS LOADED AND REQUIRES REPLACEMENT.
- DIFFERENTIAL PRESSURE SWITCH (PS), WHICH OPERATES LED, IS FACTORY CALIBRATED AT 150% OF INITIAL STATIC PRESSURE DROP OVER CLEAN FILTER. IT IS RECOMMENDED TO REPLACE THE FILTER AT THIS CONDITION.
- 24 VAC POWER SUPPLY BY OTHERS.
- LED IS VISIBLE FROM OCCUPIED SPACE AND ELIMINATES NEED TO REMOVE DIFFUSER FACE TO CHECK FILTER.
- CAN BE FACTORY INSTALLED OR OFFERED AS FIELD INSTALL KITS

AVAILABLE OPTIONS:

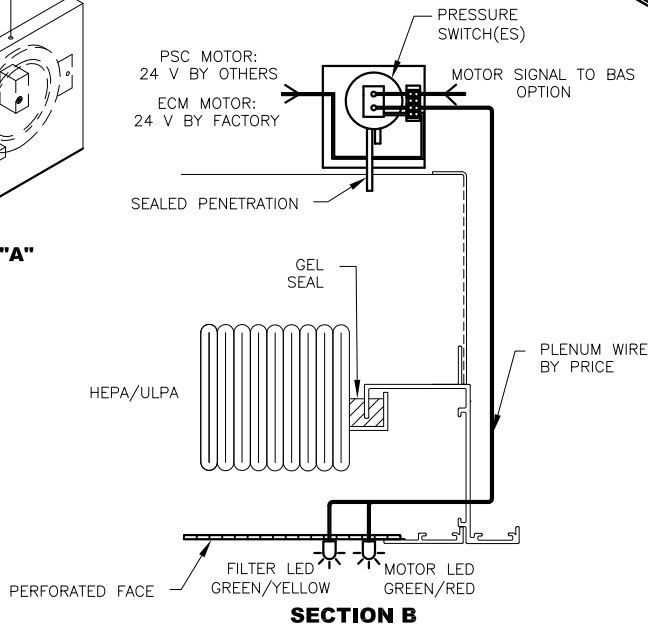
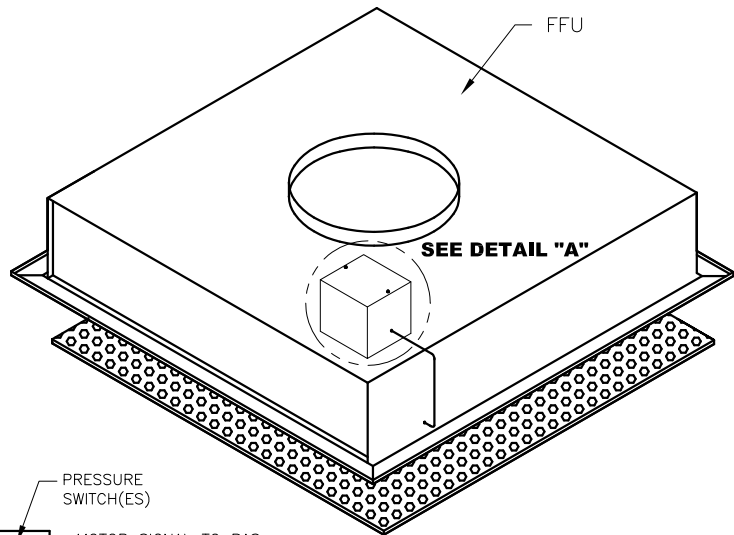
- FILTER LED (FL)

ALL METRIC DIMENSIONS () ARE SOFT CONVERTED. IMPERIAL DIMENSIONS ARE CONVERTED TO METRIC AND ROUNDED TO THE NEAREST MILLIMETER.

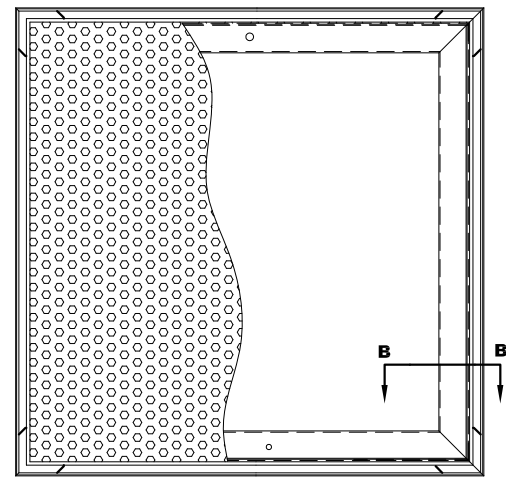
PROJECT:		PRICE®	
ENGINEER:		<i>BG</i>	LED FILTER STATUS INDICATOR FOR LFDC
CUSTOMER:		243579	
SUBMITTAL DATE:	SPEC. SYMBOL:	2011/12/08	



DETAIL "A"



SECTION B



NOTES:

- FILTER LED (FL) MONITORS FILTER LOADING. WHEN GREEN LIGHT TURNS YELLOW, FILTER IS LOADED AND REQUIRES REPLACEMENT. DIFFERENTIAL PRESSURE SWITCH (DPS), WHICH OPERATES LED, IS FACTORY CALIBRATED AT 150% OF INITIAL STATIC PRESSURE DROP OVER CLEAN FILTER. IT IS RECOMMENDED TO REPLACE THE FILTER AT THIS CONDITION.
- MOTOR LED (ML) MONITORS MOTOR OPERATION. WHEN GREEN LIGHT TURNS RED, MOTOR IS NOT OPERATING AND MAY REQUIRE REPAIR OR REPLACEMENT. A SECOND DIFFERENTIAL PRESSURE SWITCH IS FACTORY CALIBRATED AT 0.2" w. g. TO INDICATE MOTOR CONDITION.
- MBAS PROVIDES THE MOTOR SIGNAL TO A BUILDING AUTOMATION SYSTEM. AN ADDITIONAL RELAY IN CONJUNCTION WITH THE MOTOR DIFFERENTIAL PRESSURE SWITCH PROVIDES THE BAS SIGNAL.
- 24 VAC POWER SUPPLY BY OTHERS FOR PSC MOTOR UNITS
- 24 VAC POWER SUPPLY IS FACTORY WIRED FOR ECM MOTOR UNITS
- LEDs ARE VISIBLE FROM OCCUPIED SPACE AND ELIMINATE NEED TO REMOVE DIFFUSER FACE TO CHECK FILTER/MOTOR CONDITION
- CAN BE FACTORY INSTALLED OR OFFERED AS FIELD INSTALL KITS

AVAILABLE OPTIONS:

- FILTER LED (FL)
- MOTOR LED (ML)
- MOTOR BAS SIGNAL (MBAS)

ALL METRIC DIMENSIONS () ARE SOFT CONVERTED. IMPERIAL DIMENSIONS ARE CONVERTED TO METRIC AND ROUNDED TO THE NEAREST MILLIMETER.

PROJECT:		PRICE®	
ENGINEER:		<i>BG</i>	LED FILTER/MOTOR STATUS LED & MBAS OPTIONS FOR FFU
CUSTOMER:		243579	
SUBMITTAL DATE:	SPEC. SYMBOL:	2011/12/08	