

TYP. CROSS SECTION OF SUPPLY AIR DIFFUSER

DIFFUSER FACE C	DIFFUSER O.A. E	CEILING OPENING	NOM. DUCT SIZE D	INSIDE NECK A
□ 22" x 22" (559 x 559)	26" x 26" (660 x 660)	24" x 24" (610 x 610)	6" x 6" (152 x 152)	5 1/2" x 5 1/2" (140 x 140)
			8" x 8" (203 x 203)	7 1/2" x 7 1/2" (191 x 191)
			10" x 10" (254 x 254)	9 1/2" x 9 1/2" (241 x 241)
			12" x 12" (305 x 305)	11 1/2" x 11 1/2" (292 x 292)
			14" x 14" (356 x 356)	13 1/2" x 13 1/2" (343 x 343)
			15" x 15" (381 x 381)	14 1/2" x 14 1/2" (368 x 368)
			16" x 16" (406 x 406)	15 1/2" x 15 1/2" (394 x 394)
			18" x 18" (457 x 457)	17 1/2" x 17 1/2" (445 x 445)
□ 10" x 10" (254 x 254)	14" x 14" (356 x 356)	12" x 12" (305 x 305)	6" x 6" (152 x 152)	5 1/2" x 5 1/2" (140 x 140)

MATERIAL:

- DIFFUSER FRAME ASSEMBLIES - .081" (2) ALUMINUM
- PDAS - AIR DEFLECTOR ASSEMBLY - ALUMINUM
- SNAP-IN (REMOVABLE) PERFORATED FACE SCREEN 3/16" (5) DIA. HOLES STAGGERED 60° ON 1/4" (6) CENTERS. - .051" (1) ALUMINUM
- STAINLESS STEEL HARDWARE.

FINISH:

- B12 - WHITE POWDER COAT (OPTIONAL FINISHES AVAILABLE)

NOTES:

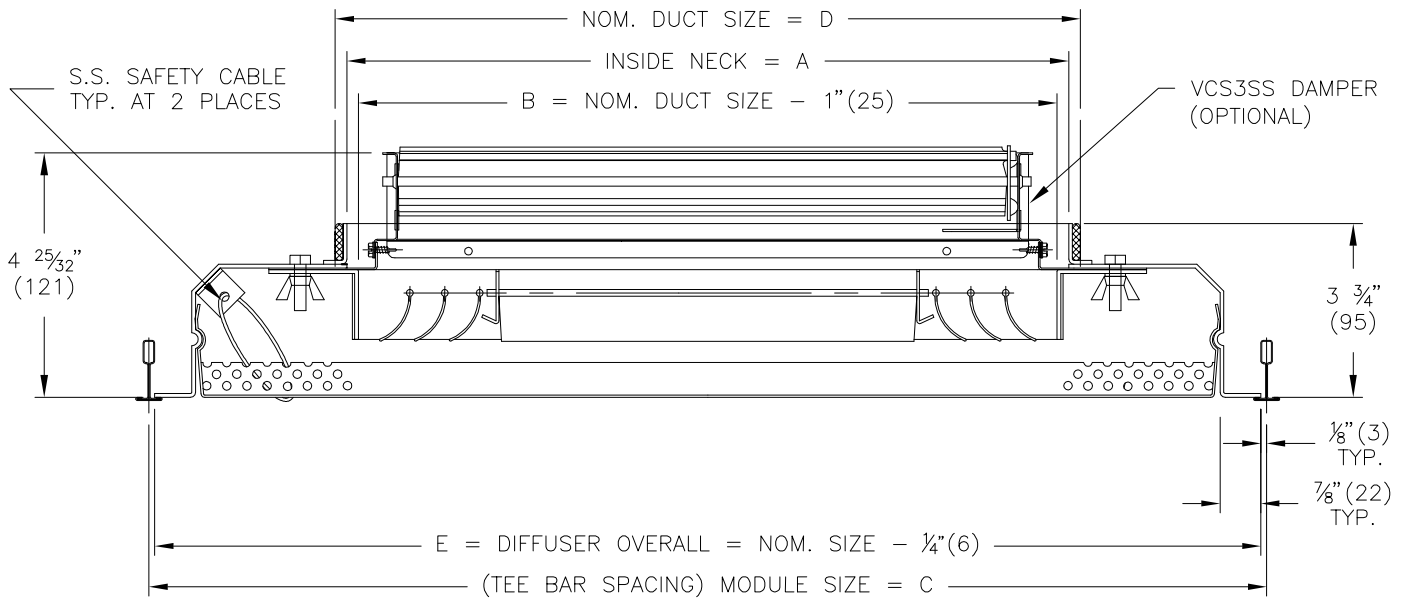
- 4-WAY CVD AIR DEFLECTOR ASSEMBLY AND OPTIONAL DAMPER SECURED WITH WING NUTS AND REMOVABLE FOR CLEANING.
- FACTORY TOLERANCE: ± 1/32" (1)

OPTION:

- VCS3SS - STAINLESS STEEL OPPOSED BLADE DAMPER

ALL METRIC DIMENSIONS () ARE SOFT CONVERTED. IMPERIAL DIMENSIONS ARE CONVERTED TO METRIC AND ROUNDED TO THE NEAREST MILLIMETER.

PROJECT:		PRICE [®]	
ENGINEER:		242165	PDAS CEILING SUPPLY AIR DIFFUSER STYLE 1 SURFACE MOUNT
CUSTOMER:			
SUBMITTAL DATE:	SPEC. SYMBOL:	2013/09/04	



TYP. CROSS SECTION OF SUPPLY AIR DIFFUSER

MODULE SIZE C	DIFFUSER O.A. E	NOM. DUCT SIZE D	INSIDE NECK A
24" x 24" (610 x 610)	23 3/4" x 23 3/4" (603 x 603)	6" x 6" (152 x 152)	5 1/2" x 5 1/2" (140 x 140)
		8" x 8" (203 x 203)	7 1/2" x 7 1/2" (191 x 191)
		10" x 10" (254 x 254)	9 1/2" x 9 1/2" (241 x 241)
		12" x 12" (305 x 305)	11 1/2" x 11 1/2" (292 x 292)
		14" x 14" (356 x 356)	13 1/2" x 13 1/2" (343 x 343)
		15" x 15" (381 x 381)	14 1/2" x 14 1/2" (368 x 368)
		16" x 16" (406 x 406)	15 1/2" x 15 1/2" (394 x 394)
18" x 18" (457 x 457)	17 1/2" x 17 1/2" (445 x 445)		
12" x 12" (305 x 305)	11 3/4" x 11 3/4" (298 x 298)	6" x 6" (152 x 152)	5 1/2" x 5 1/2" (140 x 140)

MATERIAL:

- DIFFUSER FRAME ASSEMBLIES AND HANGER BRACKETS: - .081" (2) ALUMINUM
- CVD - AIR DEFLECTOR ASSEMBLY - ALUMINUM
- SNAP-IN (REMOVABLE) PERFORATED FACE SCREEN 3/16" (5) DIA. HOLES STAGGERED 60° ON 1/4" (6) CENTERS - .051" (1) ALUMINUM
- STAINLESS STEEL HARDWARE

FINISH:

- B12 - WHITE POWDER COAT (OPTIONAL FINISHES AVAILABLE)

NOTES:

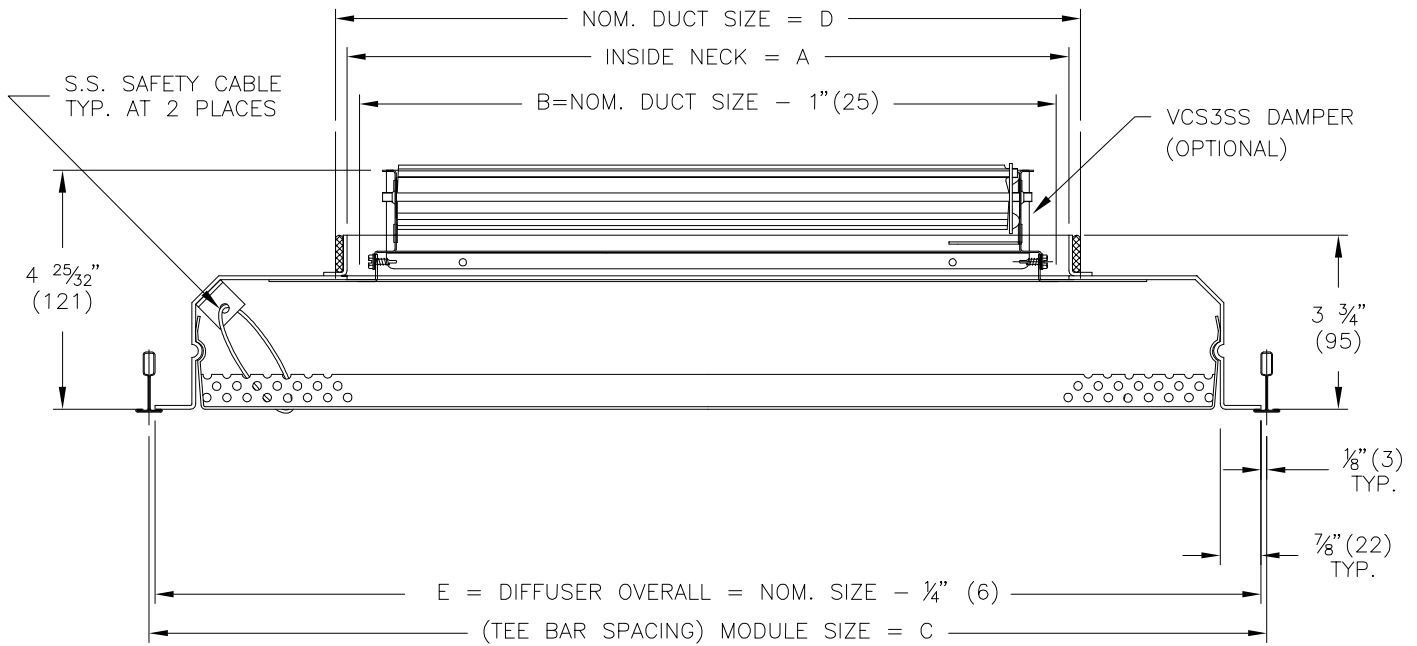
- 4-WAY CVD AIR DEFLECTOR ASSEMBLY AND OPTIONAL DAMPER SECURED WITH WING NUTS AND REMOVABLE FOR CLEANING
- FACTORY TOLERANCE: ± 1/32" (1)

OPTION:

- VCS3SS - STAINLESS STEEL OPPOSED BLADE DAMPER

ALL METRIC DIMENSIONS () ARE SOFT CONVERTED. IMPERIAL DIMENSIONS ARE CONVERTED TO METRIC AND ROUNDED TO THE NEAREST MILLIMETER.

PROJECT:		PRICE [®]	
ENGINEER:		<i>MG</i>	PDAS CEILING SUPPLY AIR DIFFUSER STYLE 3 T-BAR LAYIN
CUSTOMER:		242166	
SUBMITTAL DATE:	SPEC. SYMBOL:	2013/07/30	



TYP. CROSS SECTION OF RETURN AIR DIFFUSER

MODULE SIZE C	DIFFUSER O.A. E	NOM. DUCT SIZE D	INSIDE NECK A
24" x 24" (610 x 610)	23 3/4" x 23 3/4" (603 x 603)	6" x 6" (152 x 152)	5 1/2" x 5 1/2" (140 x 140)
		8" x 8" (203 x 203)	7 1/2" x 7 1/2" (191 x 191)
		10" x 10" (254 x 254)	9 1/2" x 9 1/2" (241 x 241)
		12" x 12" (305 x 305)	11 1/2" x 11 1/2" (292 x 292)
		14" x 14" (356 x 356)	13 1/2" x 13 1/2" (343 x 343)
		15" x 15" (381 x 381)	14 1/2" x 14 1/2" (368 x 368)
		16" x 16" (406 x 406)	15 1/2" x 15 1/2" (394 x 394)
12" x 12" (305 x 305)	11 3/4" x 11 3/4" (298 x 298)	18" x 18" (457 x 457)	17 1/2" x 17 1/2" (445 x 445)
		6" x 6" (152 x 152)	5 1/2" x 5 1/2" (140 x 140)

MATERIAL:

- DIFFUSER FRAME ASSEMBLIES
– .081" (2) ALUMINUM
- SNAP-IN (REMOVABLE) PERFORATED FACE SCREEN
3/16" (5) DIA. HOLES STAGGERED 60° ON 1/4" (6) CENTERS
– .051" (1) ALUMINUM
- STAINLESS STEEL HARDWARE

FINISH:

- B12 – WHITE POWDER COAT
(OPTIONAL FINISHES AVAILABLE)

NOTES:

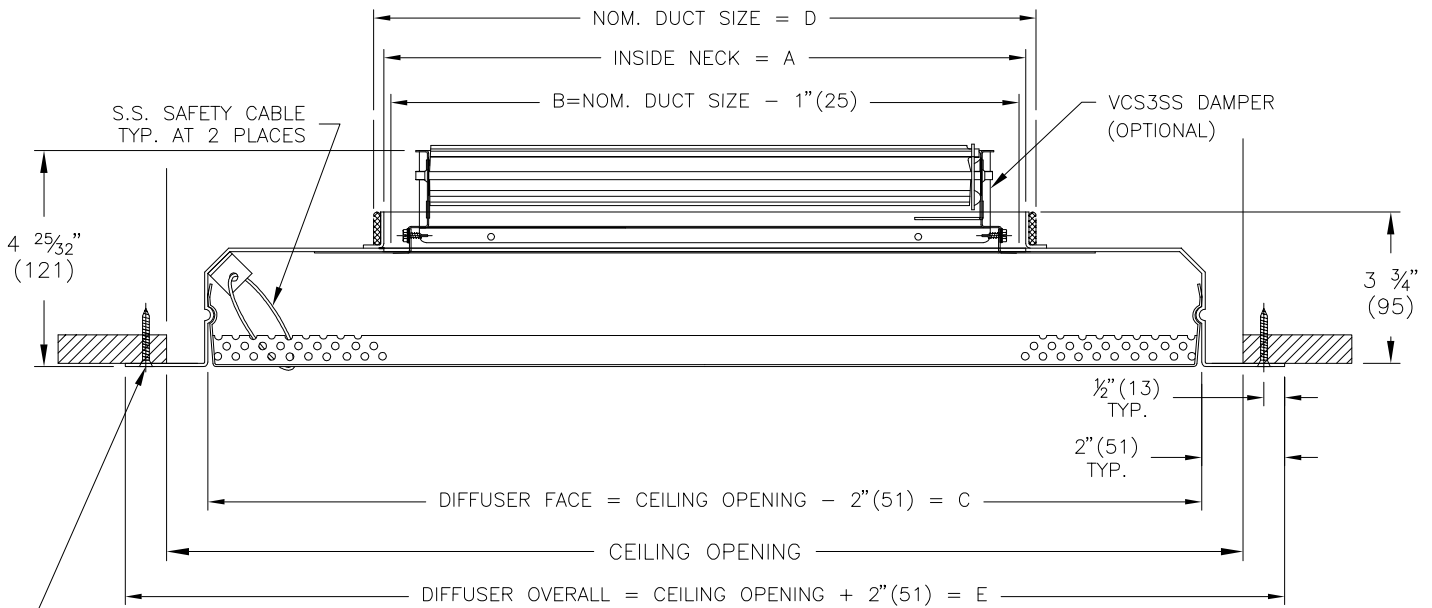
- OPTIONAL DAMPER ASSEMBLY SECURED WITH WING NUTS AND REMOVABLE FOR CLEANING
- FACTORY TOLERANCE: ± 1/32" (1)

OPTION:

- VCS3SS – STAINLESS STEEL OPPOSED BLADE DAMPER

ALL METRIC DIMENSIONS () ARE SOFT CONVERTED. IMPERIAL DIMENSIONS ARE CONVERTED TO METRIC AND ROUNDED TO THE NEAREST MILLIMETER.

PROJECT:		PRICE [®]	
ENGINEER:		<i>MG</i> 242167	PDAR CEILING RETURN AIR DIFFUSER STYLE 3 T-BAR LAYIN
CUSTOMER:			
SUBMITTAL DATE:	SPEC. SYMBOL:	2013/07/30	



ALL C'SUNK NO. 8 - TYPE "A" FLAT HEAD MOUNTING SCREWS ARE SUPPLIED. ALL C'SUNK MOUNTING HOLES ARE AS PER FACTORY STANDARD

TYP. CROSS SECTION OF SUPPLY AIR DIFFUSER

DIFFUSER FACE C	DIFFUSER O.A. E	CEILING OPENING	NOM. DUCT SIZE D	INSIDE NECK A
□ 22" x 22" (559 x 559)	26" x 26" (660 x 660)	24" x 24" (610 x 610)	6" x 6" (152 x 152)	5 1/2" x 5 1/2" (140 x 140)
			8" x 8" (203 x 203)	7 1/2" x 7 1/2" (191 x 191)
			10" x 10" (254 x 254)	9 1/2" x 9 1/2" (241 x 241)
			12" x 12" (305 x 305)	11 1/2" x 11 1/2" (292 x 292)
			14" x 14" (356 x 356)	13 1/2" x 13 1/2" (343 x 343)
			15" x 15" (381 x 381)	14 1/2" x 14 1/2" (368 x 368)
			16" x 16" (406 x 406)	15 1/2" x 15 1/2" (394 x 394)
18" x 18" (457 x 457)	17 1/2" x 17 1/2" (445 x 445)			
□ 10" x 10" (254 x 254)	14" x 14" (356 x 356)	12" x 12" (305 x 305)	6" x 6" (152 x 152)	5 1/2" x 5 1/2" (140 x 140)

MATERIAL:

- DIFFUSER FRAME ASSEMBLIES - .081" (2) ALUMINUM
- SNAP-IN (REMOVABLE) PERFORATED FACE SCREEN 3/16" (5) DIA. HOLES STAGGERED 60° ON 1/4" (6) CENTERS - .051" (1) ALUMINUM
- STAINLESS STEEL HARDWARE

FINISH:

- B12 - WHITE POWDER COAT (OPTIONAL FINISHES AVAILABLE)

ALL METRIC DIMENSIONS () ARE SOFT CONVERTED. IMPERIAL DIMENSIONS ARE CONVERTED TO METRIC AND ROUNDED TO THE NEAREST MILLIMETER.

NOTES:

- OPTIONAL DAMPER ASSEMBLY SECURED WITH WING NUTS AND REMOVABLE FOR CLEANING
- FACTORY TOLERANCE: ± 1/32" (1)

OPTIONS:

- VCS3SS - STAINLESS STEEL OPPOSED BLADE DAMPER

PROJECT:		PRICE [®]	
ENGINEER:		<i>MJ</i>	PDAR CEILING RETURN AIR DIFFUSER STYLE 1 SURFACE MOUNT
CUSTOMER:		250753	
SUBMITTAL DATE:	SPEC. SYMBOL:	2013/02/08	