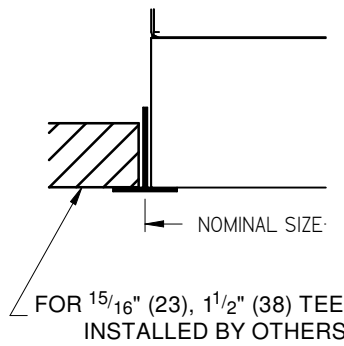


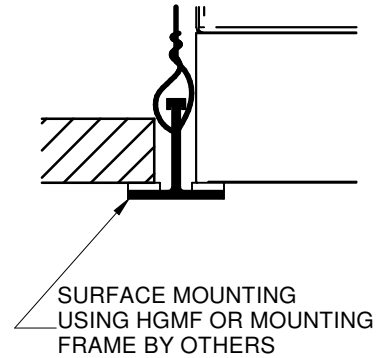
RFDC FILTERED RADIAL FLOW DIFFUSER



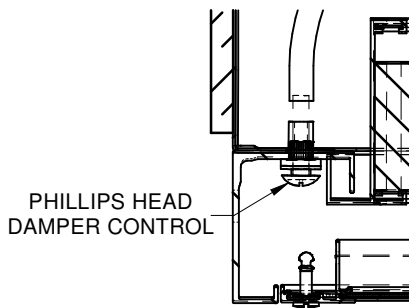
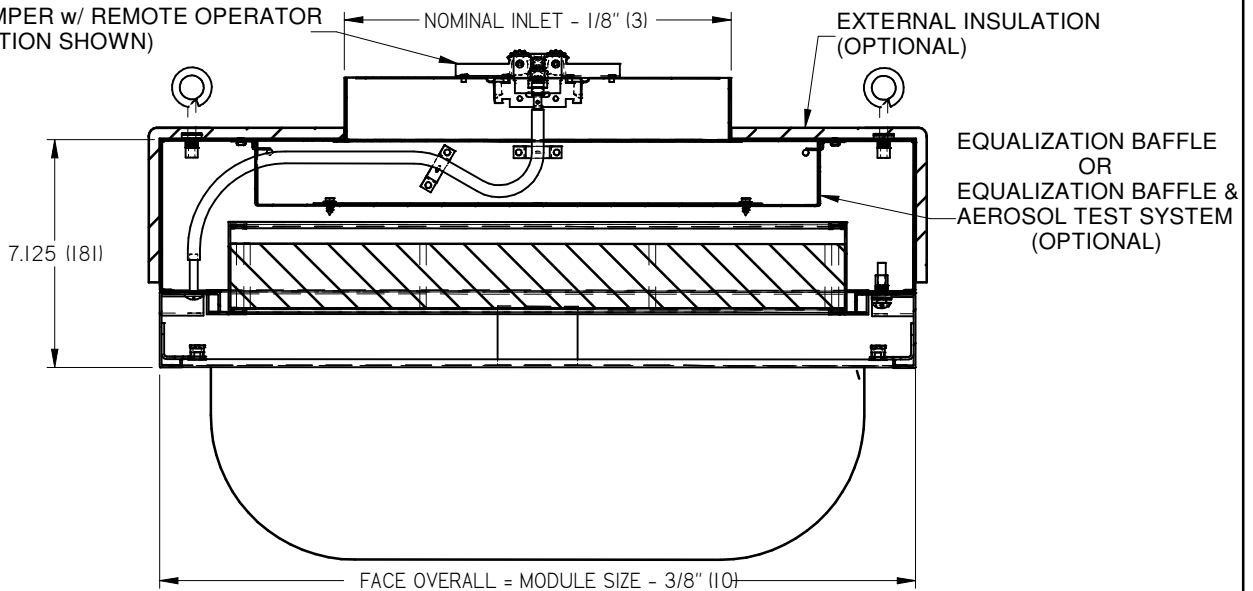
T-BAR MOUNTING:



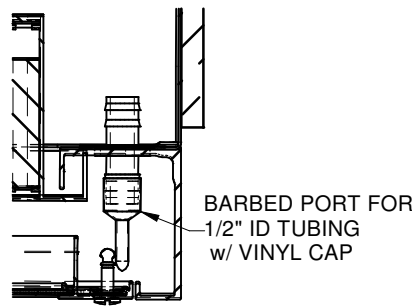
SURFACE MOUNTING:



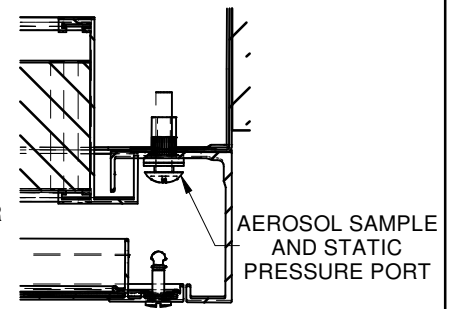
OPTIONAL DAMPER w/ REMOTE OPERATOR (CLOSED POSITION SHOWN)



**DAMPER CONTROL
DETAIL**



**INJ PORT
DETAIL**

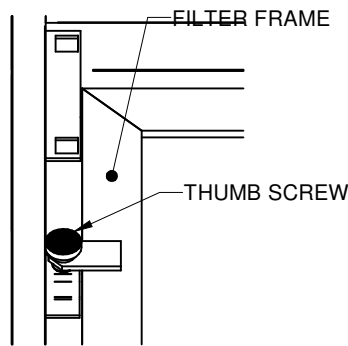


**AS/SP PORT
DETAIL**

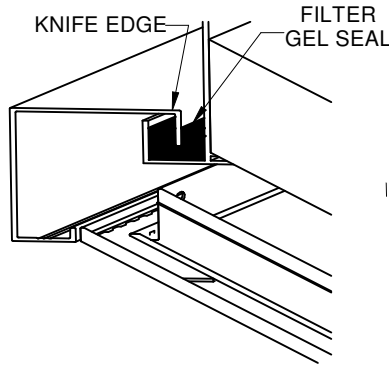
ALL METRIC DIMENSIONS () ARE SOFT CONVERTED. IMPERIAL DIMENSIONS ARE CONVERTED TO METRIC AND ROUNDED TO THE NEAREST MILLIMETER.

PROJECT:		PRICE
ENGINEER:		
CUSTOMER:		<i>RC</i>
SUBMITTAL DATE:		RFDC RADIAL FLOW DIFFUSER FILTERED
SPEC. SYMBOL:		272485
		JAN 2021

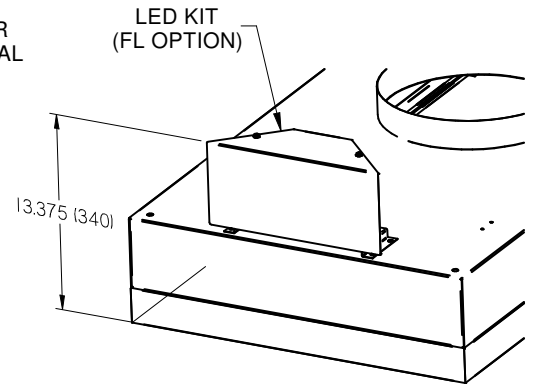
RFDC FILTERED RADIAL FLOW DIFFUSER



FILTER HOLD DOWN
TAB DETAIL



KNIFE EDGE GEL
SEAL DETAIL



OPTIONAL LEDK
HEIGHT DETAIL

STANDARD CONSTRUCTION:

- PLENUM SEALED WITH ADHESIVE SEALANT
- SPOT WELDED PLENUM SEAMS
- EXTRUDED ALUMINUM FILTER FRAME WITH URETHANE GEL
- STATIC PRESSURE AND AEROSOL SAMPLE PORT
- TWO STAINLESS STEEL RETAINER CABLES PER UNIT
- FACTORY TOLERANCE +/-1/32"

IMPERIAL UNITS (INCHES)

UNIT SIZE (ft)	LENGTH (L)	WIDTH (W)	FILTER AREA (ft ²)
<input type="checkbox"/> 2x4	47.625	23.625	5.3
<input type="checkbox"/> 2x3	35.625	23.625	3.8
<input type="checkbox"/> 2x2	23.625	23.625	2.3
<input type="checkbox"/> 1x4	47.625	11.625	1.8

SI UNITS (MM)

UNIT SIZE (mm)	L	W	FILTER AREA (m ²)
<input type="checkbox"/> 600X1200	1181	590	0.48
<input type="checkbox"/> 600X600	590	590	0.21

PLENUM MATERIAL:

- ALUMINUM
- STAINLESS STEEL - 304

PLENUM FINISH:

- WHITE POWDER COAT - B12
- BRIGHT WHITE - B11
- CUSTOM MATCHED COLOR - B25
- STAINLESS STEEL - 2B (OPTIONAL FINISHES AVAILABLE)

FACE AND FRAME MATERIAL:

- ALUMINUM (EXTRUDED FRAMES)
- STAINLESS STEEL - 304

FACE AND FRAME FINISH:

- WHITE POWDER COAT - B12
- BRIGHT WHITE - B11
- CUSTOM MATCHED COLOR - B25
- STAINLESS STEEL - #4 (OPTIONAL FINISHES AVAILABLE)

AVAILABLE INLET SIZES:

- 6" (152) ROUND
- 8" (203) ROUND
- 10" (254) ROUND
- 12" (305) ROUND

FILTER:

- NO-FTR - NO FILTER
- HEPA - 99.99% (.3 MICRON)
- ULPA - 99.9995% (.12 MICRON)
- FRB - FILTER REPLACEMENT BAFFLE

DAMPER (OPTIONAL):

- VRC8EC - BUTTERFLY DAMPER, WHITE POWDER COATED STEEL BLADES
- VRC8ECSS - BUTTERFLY DAMPER, STAINLESS STEEL BLADES

OPTIONS:

- FL - FILTER INDICATOR LIGHT ON FACE
- FL + FBAS - FILTER INDICATOR LIGHT ON FACE AND FILTER BAS SIGNAL
- EQ - INLET EQUALIZATION BAFFLE
- INJ - AEROSOL INJECTION SYSTEM w/ INLET EQUALIZATION BAFFLE (SEE ALSO INSTALLATION INSTRUCTION 1100039)
- CW - CONTINUOUSLY WELDED VERTICAL PLENUM SEAMS, SPOT WELDED INLET
- AFI-0.5: 0.5" THICK ALUMINUM FOIL-BACKED FIBERGLASS EXTERNAL INSULATION
- AFI-1.5: 1.5" THICK ALUMINUM FOIL-BACKED FIBERGLASS EXTERNAL INSULATION
- PF: PROTECTIVE FILM

NOTES:

- FILTER PACKAGED SEPERATELY FROM DIFFUSER HOUSING FOR JOB SITE INSTALLATION BY OTHERS
- PLENUM FACTORY SCANNED FOR LEAKS IN ACCORDANCE WITH IEST-RP-CC034
- LAY IN CEILING INSTALLATION ONLY. UNIT SIZE DESIGNED FOR 1" WIDE T-BAR OR 1.5" WIDE T-BAR WITH 1/8" NOMINAL SIZE INCREASE PER FOOT
- FOR SURFACE MOUNT INSTALLATION ORDER SEPARATE HOSPITAL GRADE MOUNTING FRAME. SEE HGMF SUBMITTAL (271137)

ALL METRIC DIMENSIONS () ARE SOFT CONVERTED. IMPERIAL DIMENSIONS ARE CONVERTED TO METRIC AND ROUNDED TO THE NEAREST MILLIMETER.

PROJECT:		 RFDC RADIAL FLOW DIFFUSER FILTERED
ENGINEER:		
CUSTOMER:		
SUBMITTAL DATE:	SPEC. SYMBOL:	
		 272485 JAN 2021