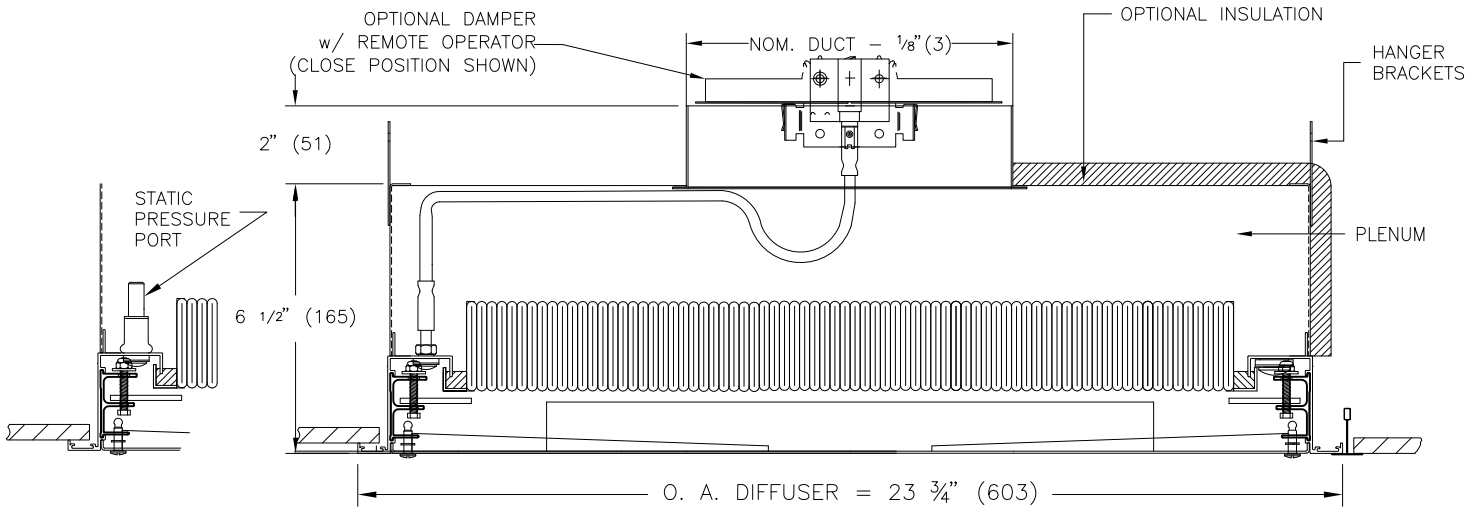
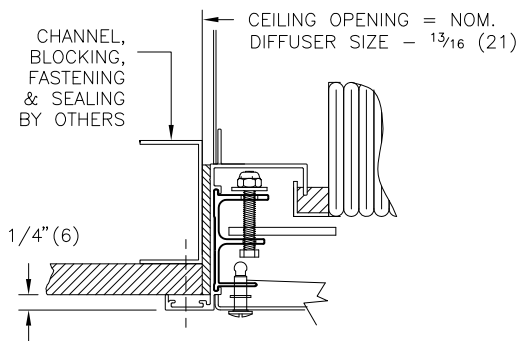


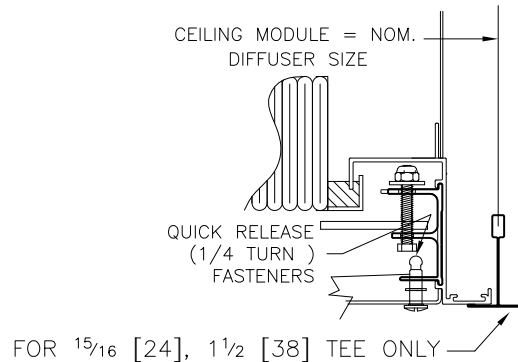
RVDC RADIAL VANE DIFFUSER WITH HIGH EFFICIENCY FILTER



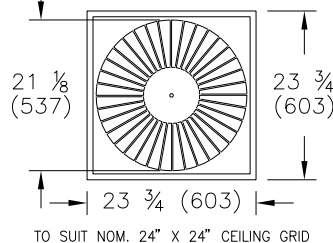
SURFACE MOUNT DETAIL



T-BAR



PLAN VIEW:



NOTES:

- OPTIONAL DAMPER REMOTELY OPERATED FROM ROOM SIDE OF FILTER.
- FILTER PACKAGED SEPARATELY FROM FILTER HOUSING FOR JOB SITE INSTALLATION BY OTHERS.
- PLENUM FACTORY SCANNED FOR LEAKS IN ACCORDANCE WITH IEST-RP-CC034.3
- PLENUM SEALED WITH ADHESIVE SEALANT
- STATIC PRESSURE PORT USED TO MEASURE PRESSURE DROP ACROSS FILTER OR TO SAMPLE AEROSOL CONCENTRATIONS BEFORE FILTER WHEN TESTING FILTER FOR LEAKS.
- TWO STAINLESS STEEL RETAINER CABLES PER UNIT
- FACTORY TOLERANCE: $\pm 1/32$ " (1)

ALL METRIC DIMENSIONS () ARE SOFT CONVERTED. IMPERIAL DIMENSIONS ARE CONVERTED TO METRIC AND ROUNDED TO THE NEAREST MILLIMETER.

FILTER SELECTION:

- HE: 95% (.3 MICRON)
- HEPA: 99.99% (.3 MICRON)
- ULPA: 99.9995% (.12 MICRON)

FILTER AREA:

2.037 SQ. FT.

MATERIAL:

RADIAL VANE FACE, FRAME AND PLENUM: ALUMINUM
OPTIONAL DAMPER : COLD ROLLED STEEL

FINISH:

RADIAL VANE FACE , FRAME AND PLENUM : B12 WHITE POWDER COAT
OPTIONAL DAMPER : B12 WHITE POWDER COAT

OPTIONS:

- AFI-0.5: 0.5" THICK ALUMINUM FOIL-BACKED INSULATION
- VCR8E: FULL FLOW DAMPER

PROJECT:

ENGINEER:

CUSTOMER:

SUBMITTAL DATE:

SPEC. SYMBOL:



KE

RVDC

RADIAL VANE DIFFUSER
C/W HIGH EFFICIENCY
FILTER

225393

2012/07/06