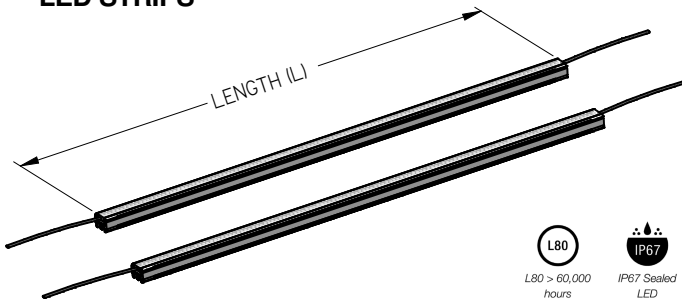


**ULTRA COMPONENTS & ACCESSORIES**

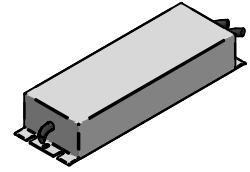
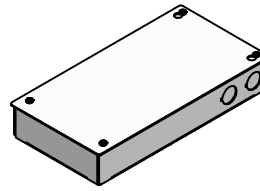
**LED STRIPS**



	NOMINAL SIZE	LENGTH (L)	COLOR RENDERING INDEX (CRI)	CORRELATED COLOR TEMPERATURE (CCT)	P/N
<input type="checkbox"/>	2 FT	20.433	85+	3800K	019550-001
<input type="checkbox"/>	4 FT	45.039	85+	3800K	019550-002
<input type="checkbox"/>	2 FT	20.433	85+	5100K	019550-003
<input type="checkbox"/>	4 FT	45.039	85+	5100K	019550-004

- UL 2108: LOW VOLTAGE LIGHTING SYSTEM
- IP67 RATED INGRESS PROTECTION AGAINST DUST AND LIQUIDS
- LED STRIPS COME WITH M8 QUICK CONNECTORS ON BOTH ENDS

**LED DRIVERS**



**DRIVER TYPE B (P/N 019551-001)**

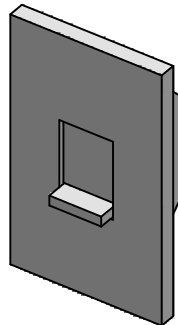
- INPUT
  - 120-277V~
  - 50/60 Hz
  - 0.92A @ 120V~
  - 0.40A @ 277V~
- OUTPUT
  - 24VDC
  - 4A MAX
- FLICKER-FREE DIMMING FROM 100% TO 0.1%
- HIGH VOLTAGE DIMMING
- UL 1310: CLASS 2 POWER UNITS
- UL 8750: LIGHT EMITTING DIODE (LED) EQUIPMENT FOR USE IN LIGHTING PRODUCTS

**DRIVER TYPE C (P/N 019551-002)**

- INPUT
  - 120-277V~
  - 50/60 Hz
  - 1.2A @ 120-240V~
  - 0.5A @ 277V~
- OUTPUT
  - 24VDC
  - 4A MAX
- FLICKER-FREE DIMMING FROM 100% TO 10% WITH RELAY SHUTOFF
- 0-10VDC DIMMING
- UL 1310: CLASS 2 POWER UNITS
- UL 8750: LIGHT EMITTING DIODE (LED) EQUIPMENT FOR USE IN LIGHTING PRODUCTS

**DIMMER SWITCHES**

- SLIDE-TO-OFF DIMMER
- UL LISTED
- CSA CERTIFIED
- NOM CERTIFIED



**DIMMER TYPE A (P/N 019552-001)**

- 3-WIRE, SINGLE POLE
- 120V~
- 16A LOAD CAPACITY
- HIGH VOLTAGE DIMMING
- COLOR: WHITE

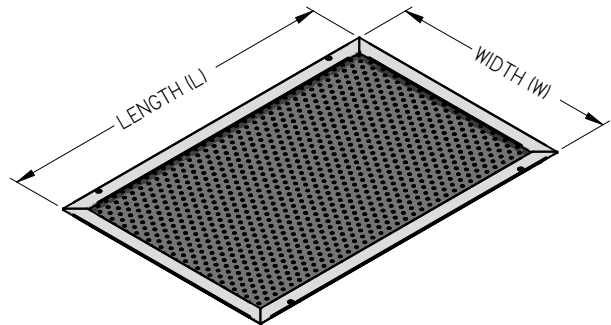
**DIMMER TYPE B (P/N 019552-002)**

- 3-WIRE, SINGLE POLE
- 277V~
- 8A LOAD CAPACITY
- HIGH VOLTAGE DIMMING
- COLOR: WHITE

**DIMMER TYPE C (P/N 019552-003)**

- SINGLE POLE
- 120-277V~
- 8A LOAD CAPACITY
- 0-10V DIMMING
- COLOR: WHITE

**ULTRASUITE DIFFUSER FACE ASSEMBLY**



	NOMINAL UNIT SIZE	WIDTH (W)	LENGTH (L)	P/N
<input type="checkbox"/>	2x2	24.250	24.250	505835-001
<input type="checkbox"/>	2x3	24.250	36.375	505835-003
<input type="checkbox"/>	2x4	24.250	48.500	505835-002

- EXTRUDED ALUMINUM DIFFUSER FACE FRAME
- PERFORATED POLYCARBONATE DIFFUSER FACE, 13% FREE AREA
- B12 STANDARD WHITE FACE FRAME FINISH
- COUNTERSUNK FLATHEAD MACHINE SCREWS SECURED ON THE FACE

ALL METRIC DIMENSIONS ( ) ARE SOFT CONVERTED. IMPERIAL DIMENSIONS ARE CONVERTED TO METRIC AND ROUNDED TO THE NEAREST MILLIMETER.

**PROJECT:**

**ENGINEER:**

**CUSTOMER:**

**SUBMITTAL DATE:**

**SPEC. SYMBOL:**



*KC*  
271927

**UCA**  
**ULTRA COMPONENTS & ACCESSORIES**

APRIL 2020