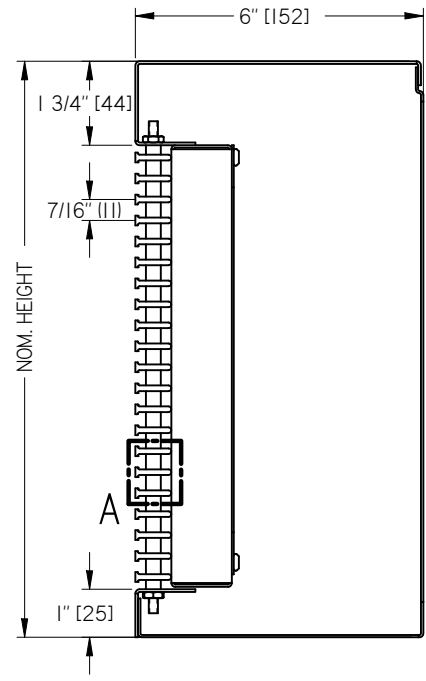
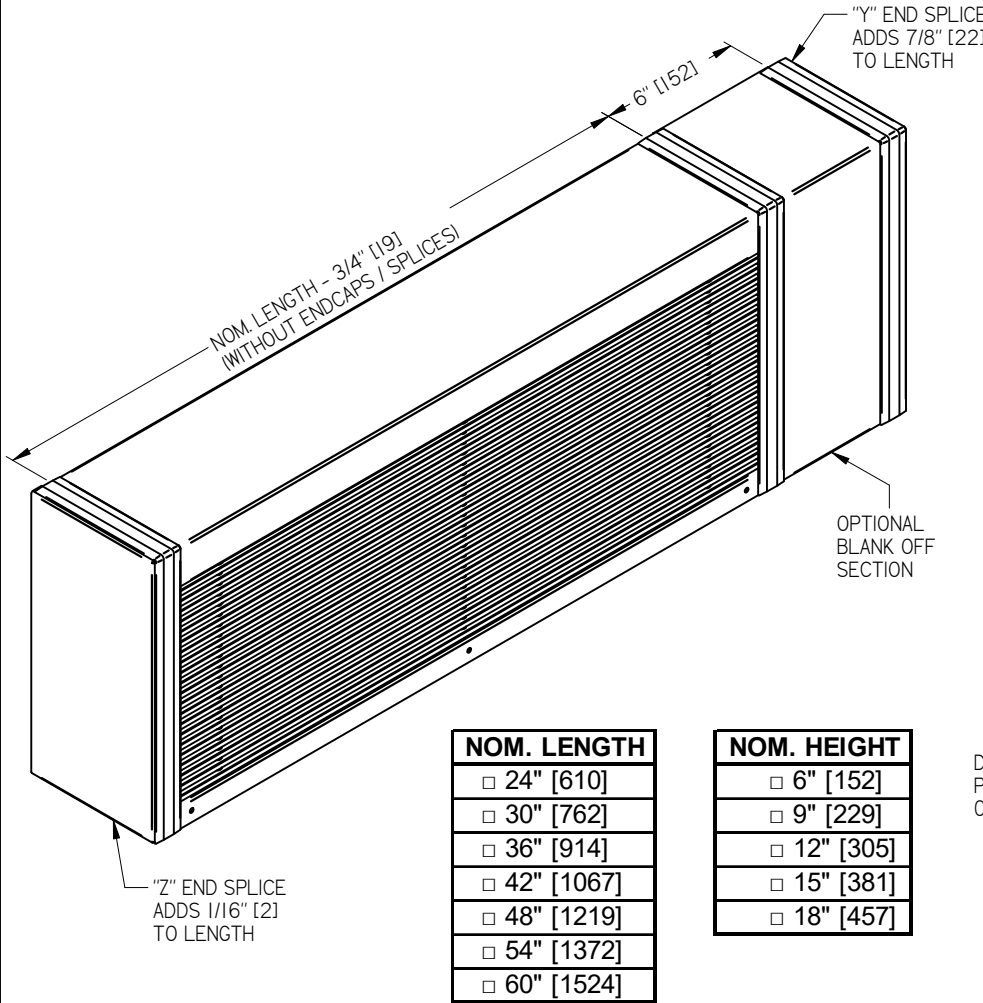
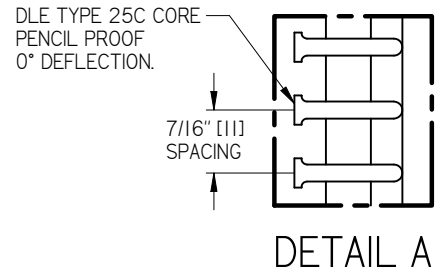


DLE - DISPLACEMENT LINEAR ENCLOSURE DIFFUSER



NOM. LENGTH
<input type="checkbox"/> 24" [610]
<input type="checkbox"/> 30" [762]
<input type="checkbox"/> 36" [914]
<input type="checkbox"/> 42" [1067]
<input type="checkbox"/> 48" [1219]
<input type="checkbox"/> 54" [1372]
<input type="checkbox"/> 60" [1524]

NOM. HEIGHT
<input type="checkbox"/> 6" [152]
<input type="checkbox"/> 9" [229]
<input type="checkbox"/> 12" [305]
<input type="checkbox"/> 15" [381]
<input type="checkbox"/> 18" [457]



STANDARD CONSTRUCTION:

- TYPE 25C MANDRELLED CORE, 0° DEFLECTION, 7/16" [11] SPACING
- EXTRUDED ALUMINUM CORE BARS
- STEEL BODY
- EXTRUDED ALUMINUM SPLICES, STEEL ENDCAPS
- COATED STEEL BACK PLATE

END CONDITIONS:

- YY - OPEN END WITH SPLICES
- YZ - END CAP AND ONE SPLICE
- ZZ - CLOSED END CAPS

OPTIONS:

- DLEBS6 - 6" [152] BLANK OFF SECTION

FINISH:

- MILL FINISH BACK PLATE
- B12 WHITE (OPTIONAL FINISHES AVAILABLE)

MOUNTING:

- HOLES INCLUDED IN BACK PLATE FOR FLOOR AND WALL MOUNTING (SCREWS NOT INCLUDED)
- WALL HOOK INTEGRATED AT THE TOP OF FACE
- FACE MOUNTING HOLES (SCREWS NOT INCLUDED)

NOTES:

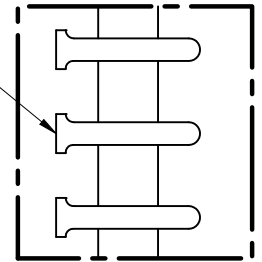
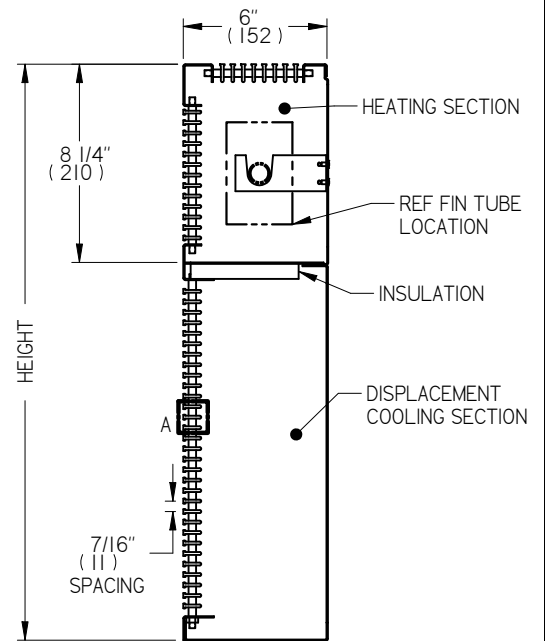
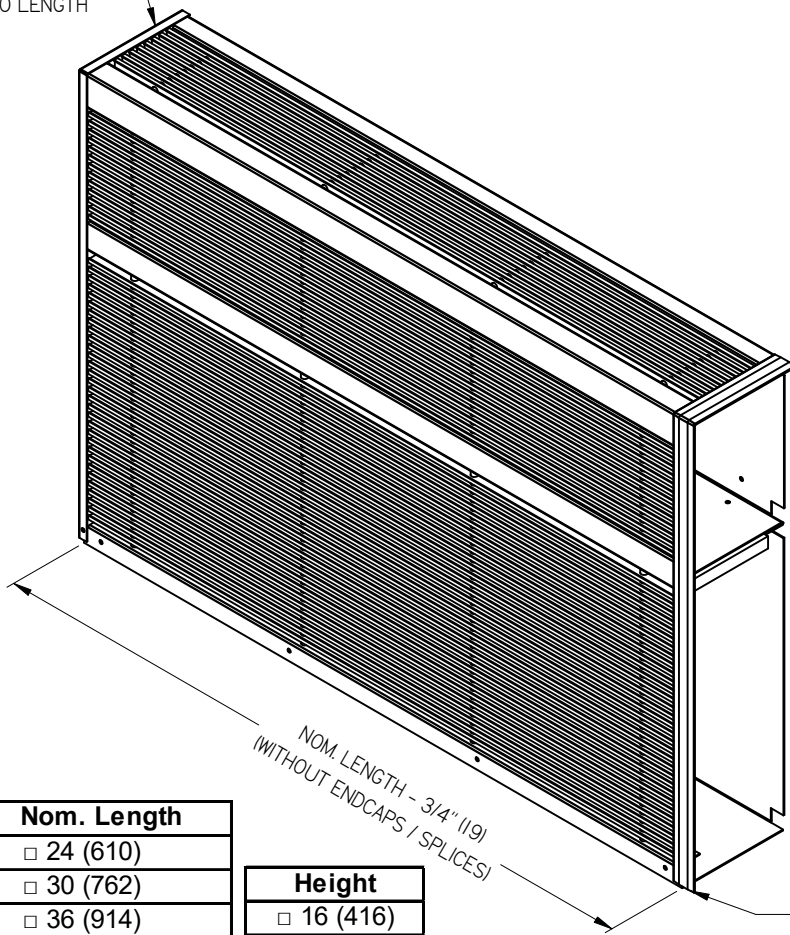
- FACTORY TOLERANCE +/- 1/16" [2] PER SECTION
- UNIT SHIPPED IN PIECES
- SEE INSTALLATION MANUAL ii00055 FOR SINGLE UNIT INSTALL
- SEE INSTALLATION MANUAL ii00056 FOR MULTIPLE CONTINUOUS UNIT INSTALL

ALL METRIC DIMENSIONS () ARE SOFT CONVERTED. IMPERIAL DIMENSIONS ARE CONVERTED TO METRIC AND ROUNDED TO THE NEAREST MILLIMETER.

PROJECT:		price
ENGINEER:	<i>MG</i>	
CUSTOMER:	243588	DLE DISPLACEMENT LINEAR ENCLOSURE
SUBMITTAL DATE:	SEPT 2016	
SPEC. SYMBOL:		

DLE-H DISPLACEMENT LINEAR ENCLOSURE

"Z" ENDCAP
ADDS 1/16" (2)
TO LENGTH



DLE TYPE 25C CORE
PENCIL PROOF
0° DEFLECTION
7/16" (11) SPACING

SPLICE FOR "Y"
END CONDITION

Nom. Length
<input type="checkbox"/> 24 (610)
<input type="checkbox"/> 30 (762)
<input type="checkbox"/> 36 (914)
<input type="checkbox"/> 48 (1219)
<input type="checkbox"/> 60 (1524)

Height
<input type="checkbox"/> 16 (416)
<input type="checkbox"/> 20 (508)
<input type="checkbox"/> 24 (610)

NOM. LENGTH - 3/4" (19)
(WITHOUT ENDCAPS / SPLICES)

STANDARD CONSTRUCTION:

- MANDRELLED CORE, 0° DEFLECTION
- EXTRUDED ALUMINUM CORE BARS
- STEEL FACE FRAMES
- COATED STEEL BACK PLATE AND DIVIDER
- EXTRUDED ALUMINUM SPLICES, STEEL ENDCAPS

END CONDITIONS:

- ZZ - CLOSED ENDCAPS
- YY - OPEN ENDS WITH SPLICES
- YZ - ENDCAP AND ONE SPLICE

MOUNTING:

- DUCT LINER PROVIDES MOUNTING POINTS FOR FACE
- HOLES INCLUDED IN BOTTOM OF FACE (SCREWS NOT INCLUDED)
- WALL HOOK INTEGRATED IN TOP OF FACE AND LINER

HYDRONIC FIN TUBE:

- HOT WATER ELEMENT BY OTHERS, MOUNTING BRACKET INCLUDED (CSH)
- HOT WATER ELEMENT INCLUDED (HW)
2 3/4" x 4 1/4" (70x108) FINNS, 3/4" (19) COPPER TUBE. PLUMBING LOCATION FOR FIN TUBE IS = NOM HEIGHT - 4 1/2" (114).
- 24" (610) LONG ELEMENT PER 24" (610) OR 30" (762) OR 36" (914) SIZES
- 48" (1219) LONG ELEMENT PER 48" (1219) OR 60" (1524) SIZES

FINISH:

- MILL FINISH BACK PLATE, DIVIDER, INNER PERF. BAFFLE
- B12 WHITE (OPTIONAL FINISHES AVAILABLE)

NOTES:

- FACTORY TOLERANCE +/- 1/16" (2) PER SECTION
- UNIT SHIPPED IN PIECES
- NO HARDWARE SHIPPED WITH UNIT
- ALL UNITS COME WITH INTERNAL BAFFLE
- SEE INSTALLATION MANUAL I100004 FOR SINGLE UNIT INSTALL
- SEE INSTALLATION MANUAL I100011 FOR MULTIPLE UNIT INSTALL

ALL METRIC DIMENSIONS () ARE SOFT CONVERTED. IMPERIAL DIMENSIONS ARE CONVERTED TO METRIC AND ROUNDED TO THE NEAREST MILLIMETER.

PROJECT:

ENGINEER:

CUSTOMER:

SUBMITTAL DATE:

SPEC. SYMBOL:

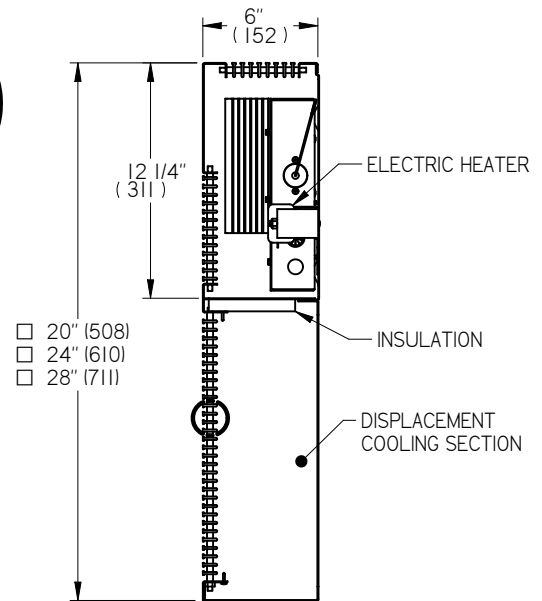
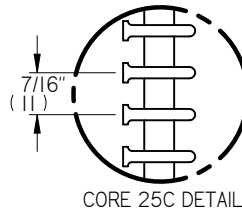
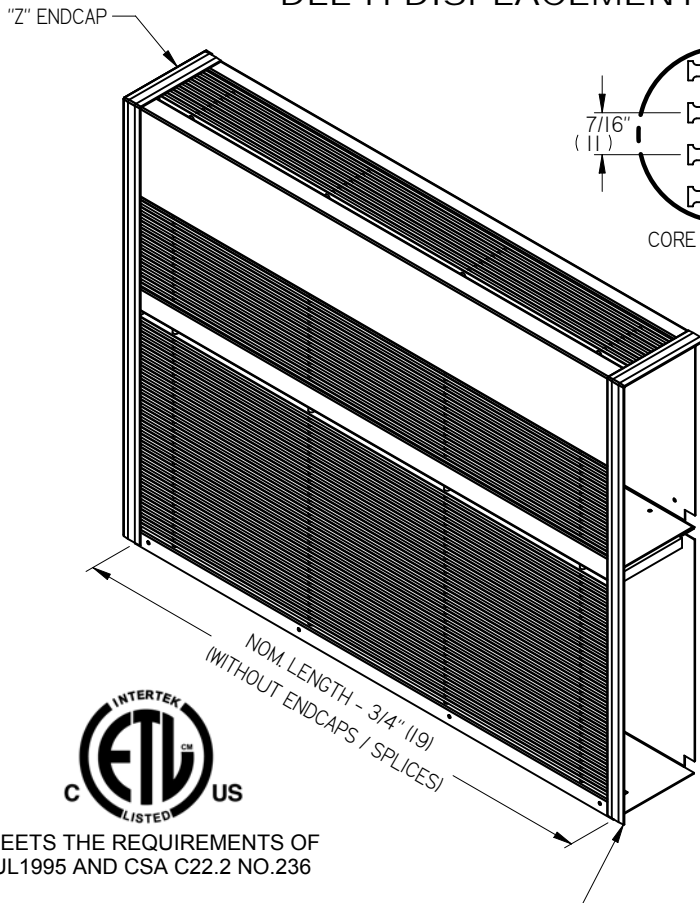


MJ
250210

**DLE-H
DISPLACEMENT
LINEAR ENCLOSURE
FOR HYDRONIC HEATING**

JULY 2016

DLE-H DISPLACEMENT LINEAR ENCLOSURE



Nom. Length	Heater Output		
	120V	208V	240V
<input type="checkbox"/> 30" (762)	500W	375W	500W
<input type="checkbox"/> 36" (914)	500W	375W	500W
<input type="checkbox"/> 48" (1219)	1000W	750W	1000W
<input type="checkbox"/> 60" (1524)	1000W	750W	1000W



MEETS THE REQUIREMENTS OF UL1995 AND CSA C22.2 NO.236

STANDARD CONSTRUCTION:

- MANDRELLED CORE, 0° DEFLECTION
- EXTRUDED ALUMINUM CORE BARS
- STEEL FACE FRAMES
- COATED STEEL BACK PLATE AND DIVIDER
- EXTRUDED ALUMINUM SPLICES, STEEL ENDCAPS

END CONDITIONS:

- ZZ - CLOSED ENDCAPS
- YY - OPEN ENDS WITH SPLICES
- YZ - ENDCAP AND ONE SPLICE

MOUNTING:

- DUCT LINER PROVIDES MOUNTING POINTS FOR FACE
- HOLES INCLUDED IN BOTTOM OF FACE (SCREWS NOT INCLUDED)
- WALL HOOK INTEGRATED IN TOP OF FACE AND LINER

FINISH:

- MILL FINISH BACK PLATE, DIVIDER, INNER PERF. BAFFLE
- B12 WHITE FACE (OPTIONAL FINISHES AVAILABLE)

SPLICE FOR "Y" END CONDITION

ELECTRIC HEATER:

- FINNED STRIP HEATER
- AVAILABLE VOLTAGES:
 - 120V
 - 208V
 - 240V

CONTROL SYSTEM:

- SCR - SCR WITH 0-10V CONTROL
 - SCRA - SCR WITH 4-20mA CONTROL
 - SCR PWM - SCR WITH PWM CONTROL
 - 1 - BINARY CONTROL, 24VAC MAGNETIC RELAY
 - DRONE
- (NOTE - A MAXIMUM OF 1 DRONE MAY BE CONNECTED TO UNIT WITH SCR / RELAY AT 120V, OR A MAXIMUM OF 3 DRONES AT 208V / 240V)

THERMOSTAT:

- PCT - CONTROLLING THERMOSTAT (N/A TO DRONE UNITS)

NOTES:

- SEE INSTALLATION INSTRUCTION I100014
- FACTORY TOLERANCE +/- 1/16" (2) PER SECTION
- ALL UNITS COME WITH INTERNAL BAFFLE
- SEE INSTALLATION MANUAL I100014

ALL METRIC DIMENSIONS () ARE SOFT CONVERTED. IMPERIAL DIMENSIONS ARE CONVERTED TO METRIC AND ROUNDED TO THE NEAREST MILLIMETER.

PROJECT:		price
ENGINEER:		
CUSTOMER:		RV
SUBMITTAL DATE:		250783
SPEC. SYMBOL:		DLE-H DISPLACEMENT LINEAR ENCLOSURE WITH ELECTRIC HEAT
		SEPT 2010